

VL38 Table

Project name:

Project type:

Notes:



Variant options

Light source	Voltage frequency	Color
10W LED/2700K	120V	<input checked="" type="radio"/> Blk <input type="radio"/> Wht

Design

Vilhelm Lauritzen

Weight

Min: 2.205 lbs Max: 4.63 lbs

Information

Please note that the brass surfaces are untreated. This means that the surface will change over time and develop a patina.

Finish

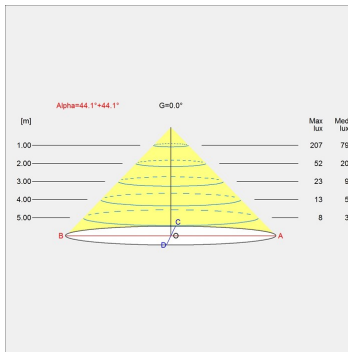
Blk, Wht

Voltage

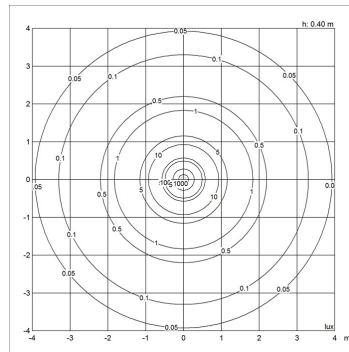
120V

Light distribution diagrams

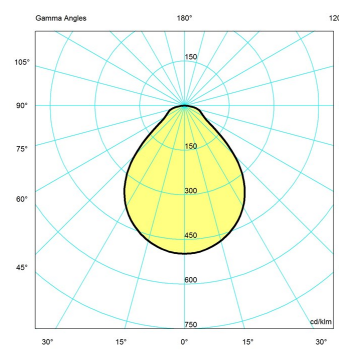
Cartesian



Isolux



Polar



Bug

