

TRI HANGER



YEAR: 2015 DESIGNER: JADER ALMEIDA

-

DIMENSIONS

38 x 02 x 52 cm

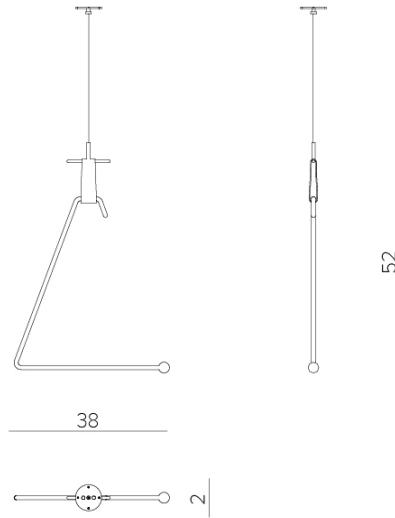
14 ⁶¹/₆₄ x 2²⁵/₃₂ x 20 ¹⁵/₃₂ in

MATERIALS

Solid wood structure.
Leather and brass details.

Illustrative picture.

This product is subject to availability by region.



SOLLOS.

Brasil 55 49 36410014 atendimento@sollos.ind.br