

Choose the language

English

Italiano

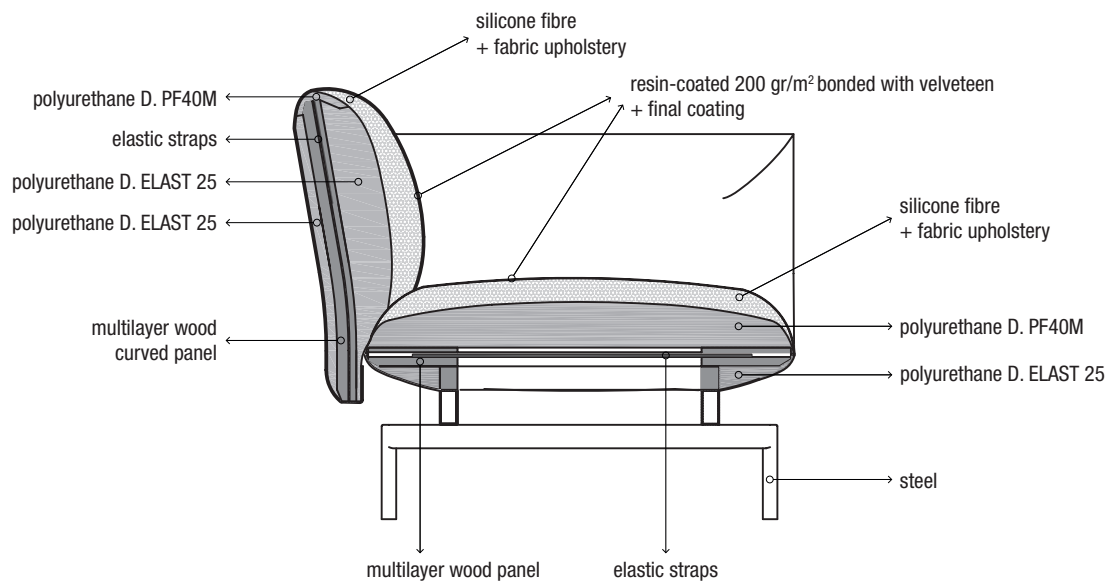
Deutsch

Français

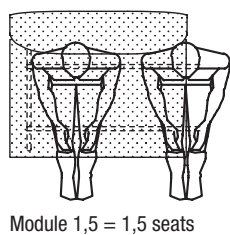
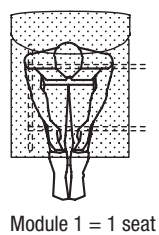
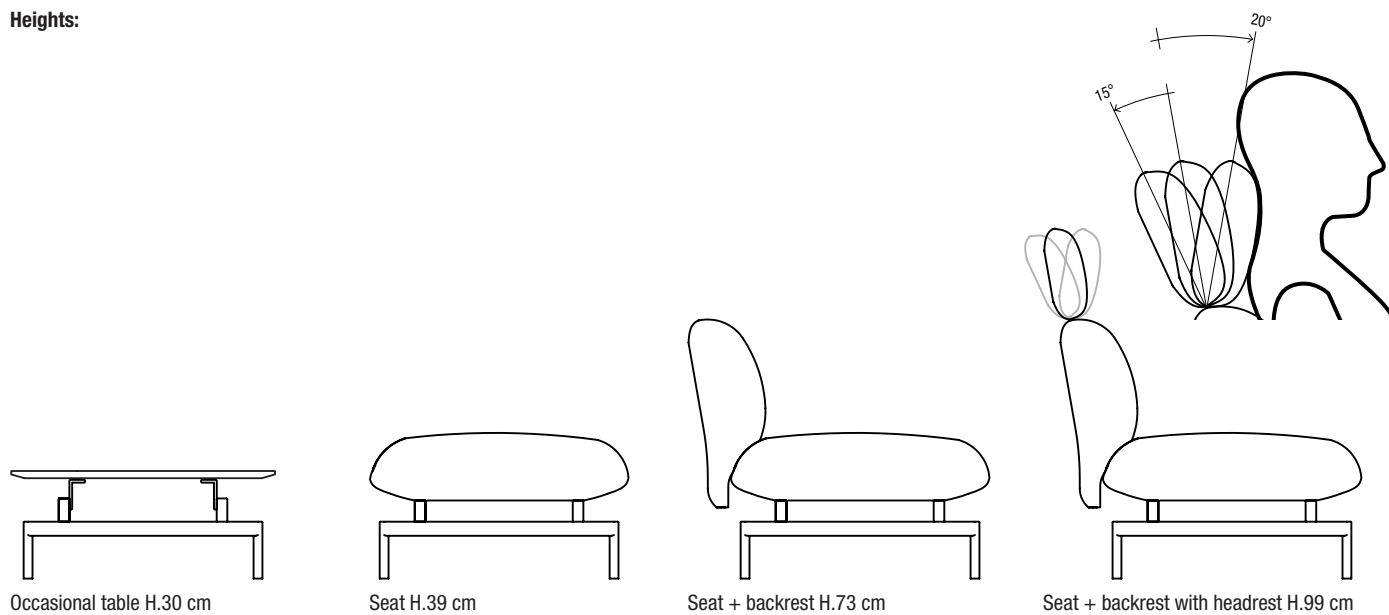
Español

TENSO SOFA SYSTEM

Info

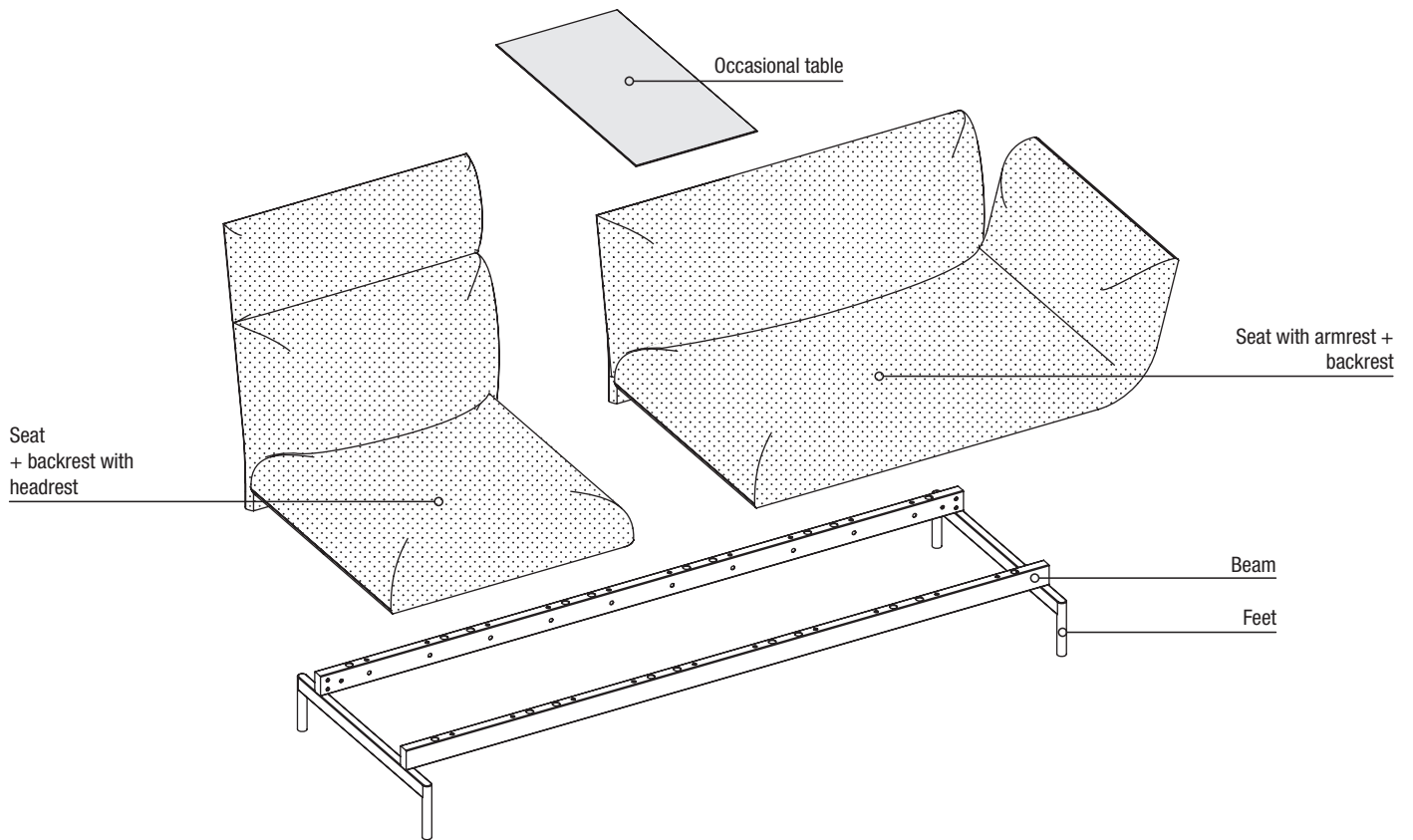


Heights:

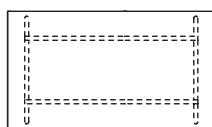
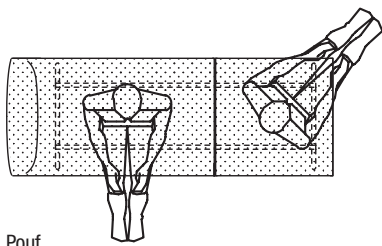
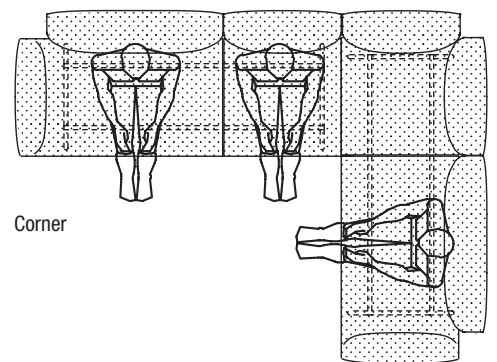
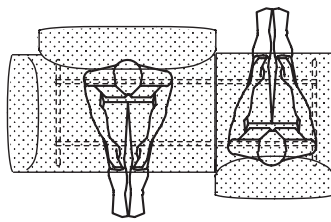
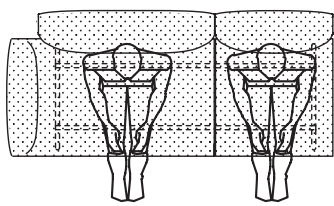


TENSO SOFA SYSTEM

Info



Kind of compositions:



TENSO SOFA SYSTEM

Structure

Finish of feet:

Black lacquered steel (similar to RAL 9004)

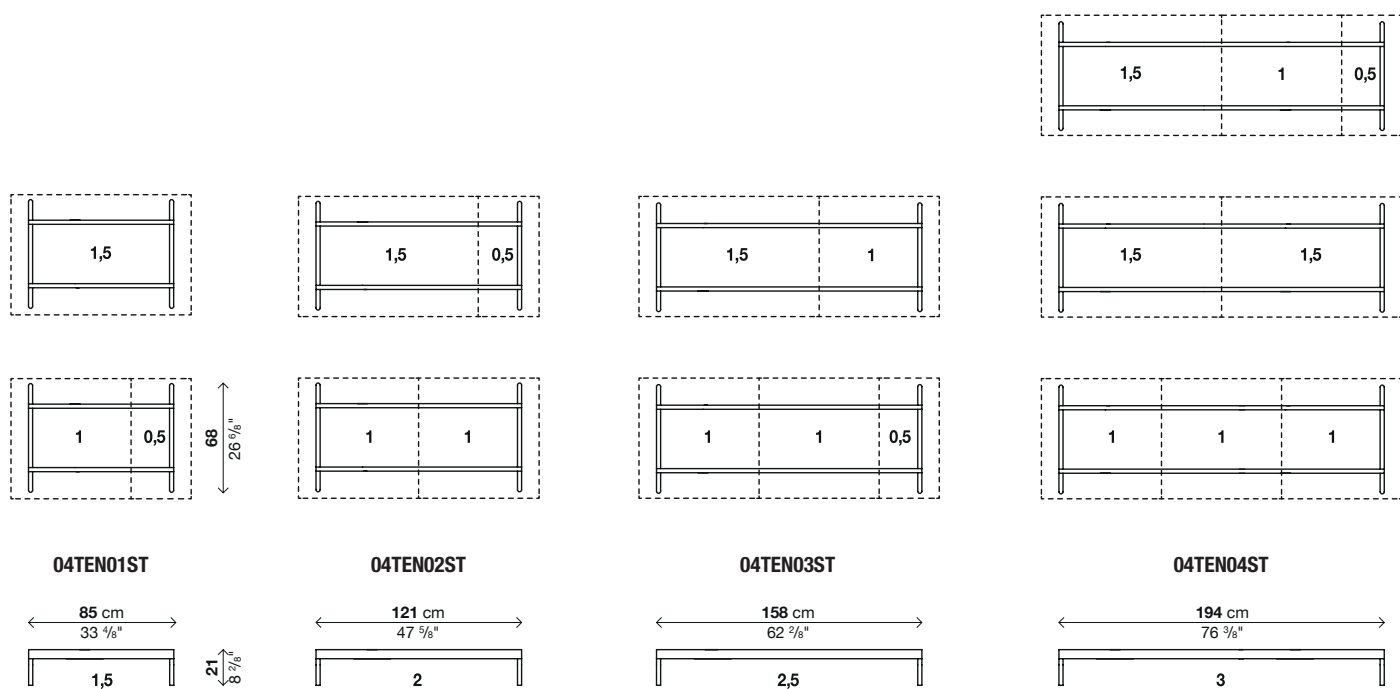
Polished chrome steel

Black chrome steel

Finish of beam:

Black lacquered steel (similar to Ral 9004)

Code	Dimensions (L x D x H)	Feet		pack	m ³	Kg
		Black lacquered	Polished chrome, Black chrome			
04TEN01ST	85 x 68 x 21 (1,5)			1	0,3	10
04TEN02ST	121 x 68 x 21 (2)			1	0,4	13
04TEN03ST	158 x 68 x 21 (2,5)			1	0,5	16
04TEN04ST	194 x 68 x 21 (3)			1	0,65	18,5



TENSO SOFA SYSTEM

Seat

Finish of cover:

- A = Valencia (synthetic leather)
- B = Field 2. COM (Customer fabric)
- C = Merit, COL (Customer leather)
- D = Clara 2, Patio, Regal, Remix 2
- E = Curmi, Hero, Melange Nap
- F = Canvas 2, Scuba, Steelcut trio 3
- G = Divina Melange 3, Hallingdal 65
- H = Twill Weave
- L1 = Coast (corrected grain leather)
- L2 = Elmosoft (semi-aniline leather)
- L3 = Elmotique (aniline leather)

Note:

REMOVABLE COVERS:

Removable upholstery (*): FIELD 2, COM, CLARA 2, MERIT, CURMI, PATIO, REMIX 2, CANVAS 2, HERO, MELANGE NAP, STEELCUT TRIO 3, DIVINA MELANGE 3, HALLINGDAL 65, REGAL, TWILL WEAVE.
Fixed upholstery: VALENCIA, COL, SCUBA, COAST, ELMOSOFT, ELMOTIQUE.

(* The upholstery is TECHNICALLY REMOVABLE but in order to ensure correct adhesion, it must be replaced exclusively by personnel specialised in upholstery.

For info on fabric composition, see inside cover.

For COM/COL orders, see inside cover.

Seat consumption:

73 cm COM: 1,7 ml (H. 140 cm). - COL: 2,4 mq.

110 cm COM: 1,7 ml (H. 140 cm). - COL: 2,8 mq.

Seat with armrest consumption:

92 cm COM: 3,1 ml (H. 140 cm). - COL: 4,4 mq.

129 cm COM: 3,1 ml (H. 140 cm). - COL: 5,2 mq.

Reinforced packaging, see inside cover.

Seat

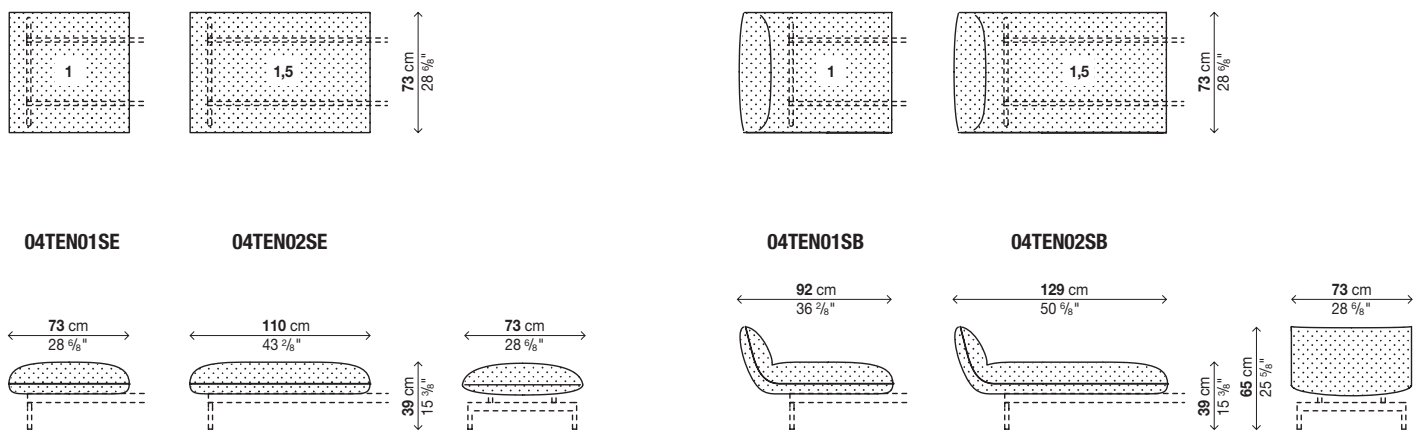
Code	Lenght	Cover											pack	m ³	Kg			
		A	B	C	D	E	F	G	H	L1	L2	L3						
04TEN01SE	73 (1)															1	0,15	11
04TEN02SE	110 (1,5)															1	0,25	16

Seat with armrest

Code	Lenght	Cover											pack	m ³	Kg			
		A	B	C	D	E	F	G	H	L1	L2	L3						
04TEN01SB	92 (1)															1	0,35	16
04TEN02SB	129 (1,5)															1	0,5	21

Optionals

Code	Description	pack	m ³	Kg
04TEN01SE	Fire-retardant	-	-	-
04TEN02SE	Fire-retardant	-	-	-
04TEN01SB	Fire-retardant	-	-	-
04TEN02SB	Fire-retardant	-	-	-



TENSO SOFA SYSTEM

Seat + backrest

Finish of cover:

- A = Valencia (synthetic leather)
- B = Field 2. COM (Customer fabric)
- C = Merit, COL (Customer leather)
- D = Clara 2, Patio, Regal, Remix 2
- E = Curmi, Hero, Melange Nap
- F = Canvas 2, Scuba, Steelcut trio 3
- G = Divina Melange 3, Hallingdal 65
- H = Twill Weave
- L1 = Coast (corrected grain leather)
- L2 = Elmosoft (semi-aniline leather)
- L3 = Elmotique (aniline leather)

Note:

REMOVABLE COVERS:

Removable upholstery (*): FIELD 2, COM, CLARA 2, MERIT, CURMI, PATIO, REMIX 2, CANVAS 2, HERO, MELANGE NAP, STEELCUT TRIO 3, DIVINA MELANGE 3, HALLINGDAL 65, REGAL, TWILL WEAVE.
 Fixed upholstery: VALENCIA, COL, SCUBA, COAST, ELMOSSOFT, ELMOTIQUE.

(* The upholstery is TECHNICALLY REMOVABLE but in order to ensure correct adhesion, it must be replaced exclusively by personnel specialised in upholstery.

For info on fabric composition, see inside cover.

For COM/COL orders, see inside cover.

Seat consumption + backrest:

73 cm COM: 3,5 ml (H. 140 cm). - COL: 4,9 mq.
 110 cm COM: 3,5 ml (H. 140 cm). - COL: 5,8 mq.
 Seat with armrest consumption + backrest:
 92 cm COM: 4,9 ml (H. 140 cm). - COL: 6,9 mq.
 129 cm COM: 4,9 ml (H. 140 cm). - COL: 8,2 mq.

Reinforced packaging, see inside cover.

Seat + backrest

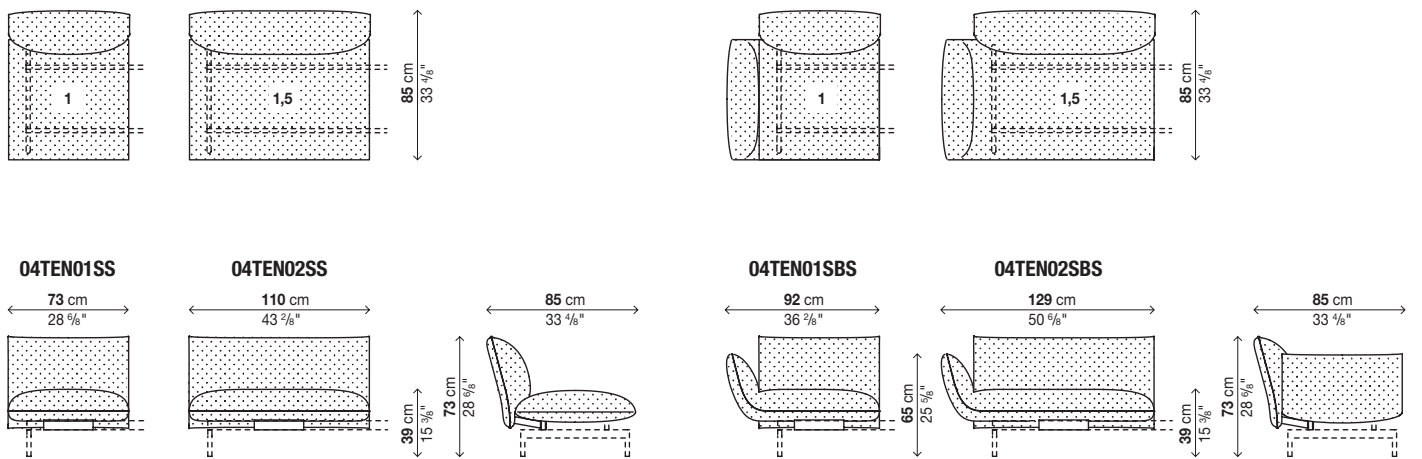
Code	Lenght	Cover											pack	m ²	Kg		
		A	B	C	D	E	F	G	H	L1	L2	L3					
04TEN01SS	73 (1)														2	0,35	18
04TEN02SS	110 (1,5)														2	0,55	25

Seat with armrest + backrest

Code	Lenght	Cover											pack	m ²	Kg		
		A	B	C	D	E	F	G	H	L1	L2	L3					
04TEN01SBS	92 (1)														2	0,35	23
04TEN02SBS	129 (1,5)														2	0,5	30

Optionals

Code	Description	pack	m ²	Kg
04TEN01SS	Fire-retardant	-	-	-
04TEN02SS	Fire-retardant	-	-	-
04TEN01SBS	Fire-retardant	-	-	-
04TEN02SBS	Fire-retardant	-	-	-



TENSO SOFA SYSTEM

Seat + backrest with headrest

Finish of cover:

- A = Valencia (synthetic leather)
- B = Field 2. COM (Customer fabric)
- C = Merit, COL (Customer leather)
- D = Clara 2, Patio, Regal, Remix 2
- E = Curmi, Hero, Melange Nap
- F = Canvas 2, Scuba, Steelcut trio 3
- G = Divina Melange 3, Hallingdal 65
- H = Twill Weave
- L1 = Coast (corrected grain leather)
- L2 = Elmosoft (semi-aniline leather)
- L3 = Elmotique (aniline leather)

Note:

REMOVABLE COVERS:

Removable upholstery (*): FIELD 2, COM, CLARA 2, MERIT, CURMI, PATIO, REMIX 2, CANVAS 2, HERO, MELANGE NAP, STEELCUT TRIO 3, DIVINA MELANGE 3, HALLINGDAL 65, REGAL, TWILL WEAVE.
Fixed upholstery: VALENCIA, COL, SCUBA, COAST, ELMOSOFT, ELMOTIQUE.

(* The upholstery is TECHNICALLY REMOVABLE but in order to ensure correct adhesion, it must be replaced exclusively by personnel specialised in upholstery.

For info on fabric composition, see inside cover.

For COM/COL orders, see inside cover.

Seat consumption + backrest with headrest:

73 cm COM: 3,7 ml (H. 140 cm). - COL: 5,8 mq.

110 cm COM: 3,7 ml (H. 140 cm). - COL: 6,8 mq.

Seat with armrest consumption + backrest with headrest:

92 cm COM: 5,1 ml (H. 140 cm). - COL: 7,8 mq.

129 cm COM: 5,1 ml (H. 140 cm). - COL: 9,2 mq.

Reinforced packaging, see inside cover.

Seat + backrest with headrest

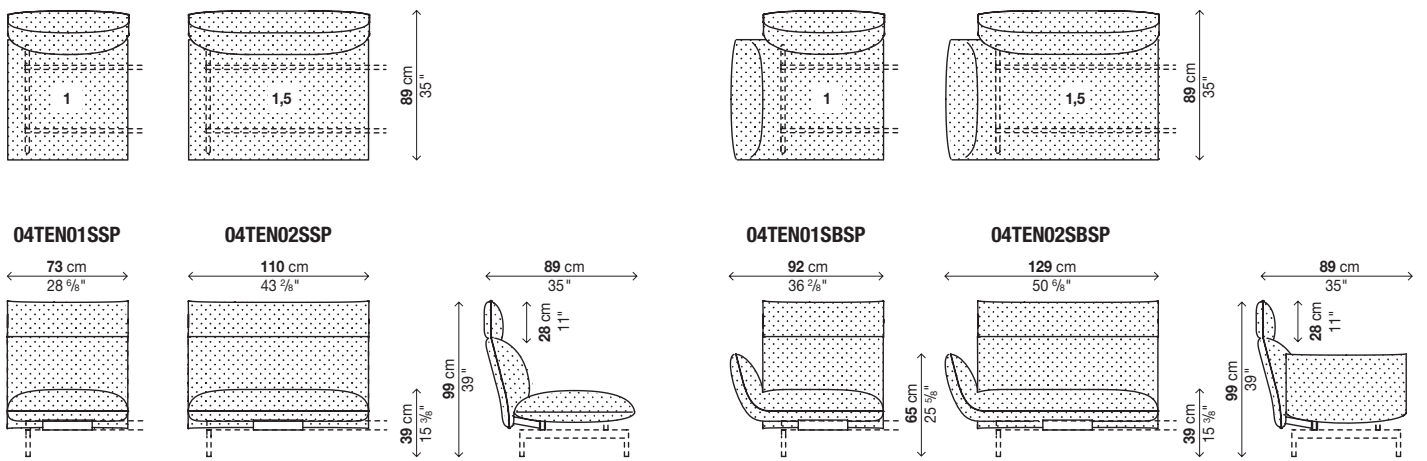
Code	Lenght	Cover											pack	m ³	Kg			
		A	B	C	D	E	F	G	H	L1	L2	L3						
04TEN01SSP	73 (1)															2	0,4	21,5
04TEN02SSP	110 (1,5)															2	0,65	29,5

Seat with armrest + backrest with headrest

Code	Lenght	Cover											pack	m ³	Kg			
		A	B	C	D	E	F	G	H	L1	L2	L3						
04TEN01SBSP	92 (1)															2	0,6	26,5
04TEN02SBSP	129 (1,5)															2	0,9	34,5

Optionals

Code	Description	pack	m ³	Kg
04TEN01SSP	Fire-retardant	-	-	-
04TEN02SSP	Fire-retardant	-	-	-
04TEN01SBSP	Fire-retardant	-	-	-
04TEN02SBSP	Fire-retardant	-	-	-



TENSO SOFA SYSTEM

Lateral backrest

Finish of cover:

- A = Valencia (synthetic leather)
- B = Field 2. COM (Customer fabric)
- C = Merit, COL (Customer leather)
- D = Clara 2, Patio, Regal, Remix 2
- E = Curmi, Hero, Melange Nap
- F = Canvas 2, Scuba, Steelcut trio 3
- G = Divina Melange 3, Hallingdal 65
- H = Twill Weave
- L1 = Coast (corrected grain leather)
- L2 = Elmosoft (semi-aniline leather)
- L3 = Elmotique (aniline leather)

Note:

REMOVABLE COVERS:

Removable upholstery (*): FIELD 2, COM, CLARA 2, MERIT, CURMI, PATIO, REMIX 2, CANVAS 2, HERO, MELANGE NAP, STEELCUT TRIO 3, DIVINA MELANGE 3, HALLINGDAL 65, REGAL, TWILL WEAVE.

Fixed upholstery: VALENCIA, COL, SCUBA, COAST, ELMOSOFT, ELMOTIQUE.

(* The upholstery is TECHNICALLY REMOVABLE but in order to ensure correct adhesion, it must be replaced exclusively by personnel specialised in upholstery.

For info on fabric composition, see inside cover.

For COM/COL orders, see inside cover.

Lateral backrest consumption:

COM: 1,5 ml (H. 140 cm).

COL: 2,5 mq.

Backrest with headrest consumption:

COM: 2 ml (H. 140 cm).

COL: 3,4 mq.

Reinforced packaging, see inside cover.

Lateral backrest

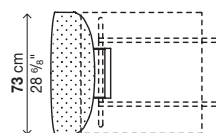
Code	Cover											pack	m ²	Kg			
	A	B	C	D	E	F	G	H	L1	L2	L3						
04TEN01SL															1	0,2	8,5

Lateral backrest with headrest

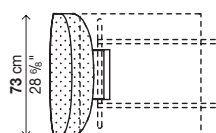
Code	Cover											pack	m ²	Kg			
	A	B	C	D	E	F	G	H	L1	L2	L3						
04TEN02SLP															1	0,3	12,5

Optionals

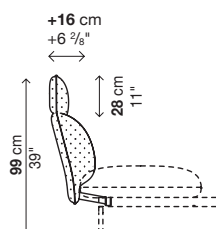
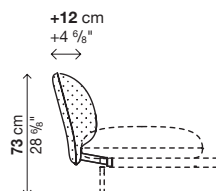
Code	Description	pack	m ²	Kg
04TEN01SL	Fire-retardant	-	-	-
04TEN01SLP	Fire-retardant	-	-	-



04TEN01SL



04TEN01SLP



TENSO SOFA SYSTEM

Occasional table

Finish of top:

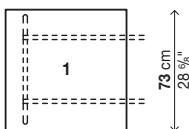
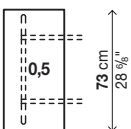
Fenix-NTM® Ingo black 0720 (10 mm thick)

Fenix-NTM® coloured edge (Kos white 0032, London grey 0718) (10 mm thick)

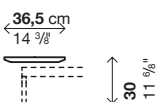
"Pietra di Fossena" stone (20 mm thick)

Occasional table top

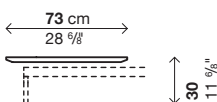
Code	Dimensions (L x D)	Top		pack	m ³	Kg
		Fenix-NTM®	"Pietra di Fossena" stone			
04TEN01PI	36,5 x 73			1	0,08	20
04TEN02PI	73 x 73			1	0,12	40



04TEN01PI



04TEN02PI



TENSO SOFA SYSTEM

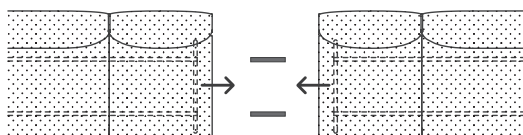
Joining elements

Finish:

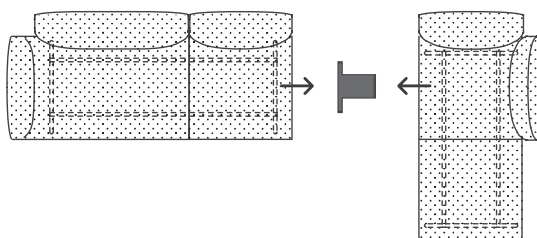
Black lacquered steel

Code	Description	pack	m ³	Kg
02AGGTEN01	Linear	2	0,01	0,8
02AGGTEN02	Corner	2	0,01	2,5

02AGGTEN01



02AGGTEN02



TENSO SOFA SYSTEM

Universal removable cushions

Finish of cover:

- A = Valencia (synthetic leather)
- B = Field 2. COM (Customer fabric)
- C = Merit, COL (Customer leather)
- D = Clara 2, Patio, Regal, Remix 2
- E = Curmi, Hero, Melange Nap
- F = Canvas 2, Scuba, Steelcut trio 3
- G = Divina Melange 3, Hallingdal 65
- H = Twill Weave
- L1 = Coast (corrected grain leather)
- L2 = Elmosoft (semi-aniline leather)
- L3 = Elmotique (aniline leather)

Note:

REMOVABLE COVERS:

Removable upholstery for the fabric and leather versions.

For info on fabric composition, see inside cover.

For COM/COL orders, see inside cover.

45 x 45 cushion consumption:

COM: 0,6 ml (H. 140 cm).

COL: 0,8 mq.

65 x 55 cushion consumption:

COM: 0,7 ml (H. 140 cm).

COL: 1 mq.

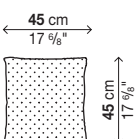
75 x 40 cushion consumption:

COM: 1 ml (H. 140 cm).

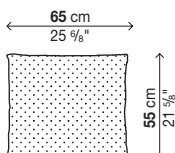
COL: 1,3 mq.

Code	Dimensions	Cover											pack	m ²	Kg			
		A	B	C	D	E	F	G	H	L1	L2	L3						
20CUS01	Cushion 45 x 45															1	0,02	1
20CUS02	Cushion 65 x 55															1	0,02	1
20CUS03	Cushion 75 x 40															1	0,02	1

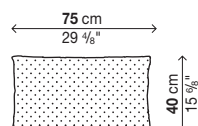
20CUS01



20CUS02



20CUS03



TENSO SOFA SYSTEM

Examples of composition - 2 seater sofa

Finish of feet:

Black lacquered steel (similar to RAL 9004)
 Polished chrome steel
 Black chrome steel

Finish of cover:

A = Valencia (synthetic leather)
 B = Field 2, COM (Customer fabric)
 C = Merit, COL (Customer leather)
 D = Clara 2, Patio, Regal, Remix 2
 E = Curmi, Hero, Melange Nap
 F = Canvas 2, Scuba, Steelcut trio 3
 G = Divina Melange 3, Hallingdal 65
 H = Twill Weave
 L1 = Coast (corrected grain leather)
 L2 = Elmosoft (semi-aniline leather)
 L3 = Elmotique (aniline leather)

Note:

REMOVABLE COVERS:

Removable upholstery (*): FIELD 2, COM, CLARA 2, MERIT, CURMI, PATIO, REMIX 2, CANVAS 2, HERO, MELANGE NAP, STEELCUT TRIO 3, DIVINA MELANGE 3, HALLINGDAL 65, REGAL, TWILL WEAVE.
 Fixed upholstery: VALENCIA, COL, SCUBA, COAST, ELMOSOFT, ELMOTIQUE.

(*) The upholstery is TECHNICALLY REMOVABLE but in order to ensure correct adhesion, it must be replaced exclusively by personnel specialised in upholstery.

For info on fabric composition, see inside cover.

For COM/COL orders, see inside cover.

Backrests without headrest consumption:

COM: 9,8 ml (H. 140 cm).

COL: 13,8 mq.

Backrests with headrest consumption:

COM: 10,2 ml (H. 140 cm).

COL: 15,6 mq.

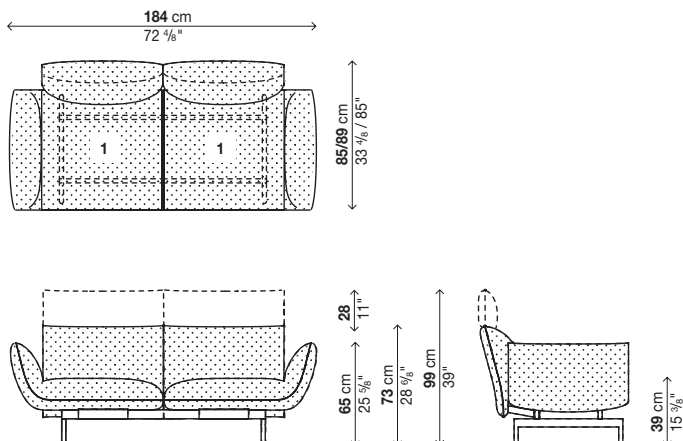
Reinforced packaging, see inside cover.

Backrests without headrest

Code	Feet	Cover											pack	m ²	Kg		
		A	B	C	D	E	F	G	H	L1	L2	L3					
T1	Black lacquered																
	Polished chrome, Black chrome																5 1,5 59

Backrests with headrest

Code	Feet	Cover											pack	m ²	Kg		
		A	B	C	D	E	F	G	H	L1	L2	L3					
T2	Black lacquered																
	Polished chrome, Black chrome																5 1,6 66



TENSO SOFA SYSTEM

Examples of composition - 3 seater sofa

Finish of feet:

Black lacquered steel (similar to RAL 9004)
Polished chrome steel
Black chrome steel

Finish of cover:

A = Valencia (synthetic leather)
B = Field 2, COM (Customer fabric)
C = Merit, COL (Customer leather)
D = Clara 2, Patio, Regal, Remix 2
E = Curmi, Hero, Melange Nap
F = Canvas 2, Scuba, Steelcut trio 3
G = Divina Melange 3, Hallingdal 65
H = Twill Weave
L1 = Coast (corrected grain leather)
L2 = Elmosoft (semi-aniline leather)
L3 = Elmotique (aniline leather)

Note:

REMOVABLE COVERS:

Removable upholstery (*): FIELD 2, COM, CLARA 2, MERIT, CURMI, PATIO, REMIX 2, CANVAS 2, HERO, MELANGE NAP, STEELCUT TRIO 3, DIVINA MELANGE 3, HALLINGDAL 65, REGAL, TWILL WEAVE.
Fixed upholstery: VALENCIA, COL, SCUBA, COAST, ELMOSOFT, ELMOTIQUE.

(* The upholstery is TECHNICALLY REMOVABLE but in order to ensure correct adhesion, it must be replaced exclusively by personnel specialised in upholstery.

For info on fabric composition, see inside cover.

For COM/COL orders, see inside cover.

Backrests without headrest consumption:

COM: 9,8 ml (H. 140 cm).

COL: 16,4 mq.

Backrests with headrest consumption:

COM: 10,2 ml (H. 140 cm).

COL: 18,4 mq.

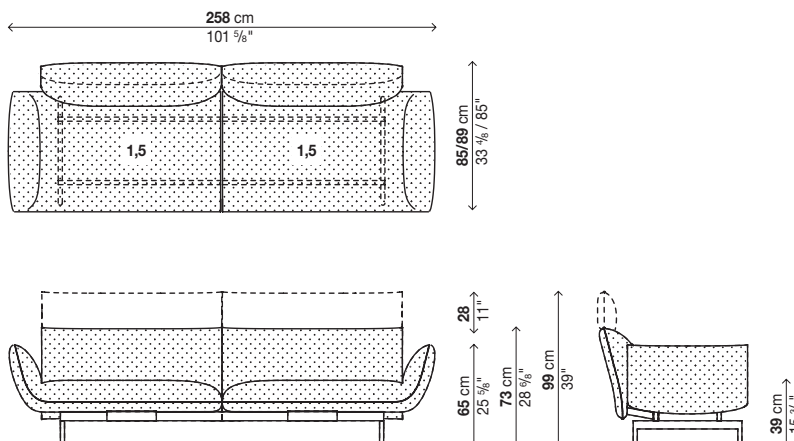
Reinforced packaging, see inside cover.

Backrests without headrest

Code	Feet	Cover											pack	m ³	Kg		
		A	B	C	D	E	F	G	H	L1	L2	L3					
T3	Black lacquered														5	2,2	79
	Polished chrome, Black chrome																

Backrests with headrest

Code	Feet	Cover											pack	m ³	Kg		
		A	B	C	D	E	F	G	H	L1	L2	L3					
T4	Black lacquered														5	2,2	87,5
	Polished chrome, Black chrome																



TENSO SOFA SYSTEM

Examples of composition - Sofa with chaise longue rh/lh

Finish of feet:

Black lacquered steel (similar to RAL 9004)
 Polished chrome steel
 Black chrome steel

Finish of cover:

A = Valencia (synthetic leather)
 B = Field 2, COM (Customer fabric)
 C = Merit, COL (Customer leather)
 D = Clara 2, Patio, Regal, Remix 2
 E = Curmi, Hero, Melange Nap
 F = Canvas 2, Scuba, Steelcut trio 3
 G = Divina Melange 3, Hallingdal 65
 H = Twill Weave
 L1 = Coast (corrected grain leather)
 L2 = Elmosoft (semi-aniline leather)
 L3 = Elmotique (aniline leather)

Note:

REMOVABLE COVERS:

Removable upholstery (*): FIELD 2, COM, CLARA 2, MERIT, CURMI, PATIO, REMIX 2, CANVAS 2, HERO, MELANGE NAP, STEELCUT TRIO 3, DIVINA MELANGE 3, HALLINGDAL 65, REGAL, TWILL WEAVE.
 Fixed upholstery: VALENCIA, COL, SCUBA, COAST, ELMOSOFT, ELMOTIQUE.

(*) The upholstery is TECHNICALLY REMOVABLE but in order to ensure correct adhesion, it must be replaced exclusively by personnel specialised in upholstery.

For info on fabric composition, see inside cover.

For COM/COL orders, see inside cover.

Backrests without headrest consumption:

COM: 14,7 ml (H. 140 cm).

COL: 22,4 mq.

Backrests with headrest consumption:

COM: 15,6 ml (H. 140 cm).

COL: 25,2 mq.

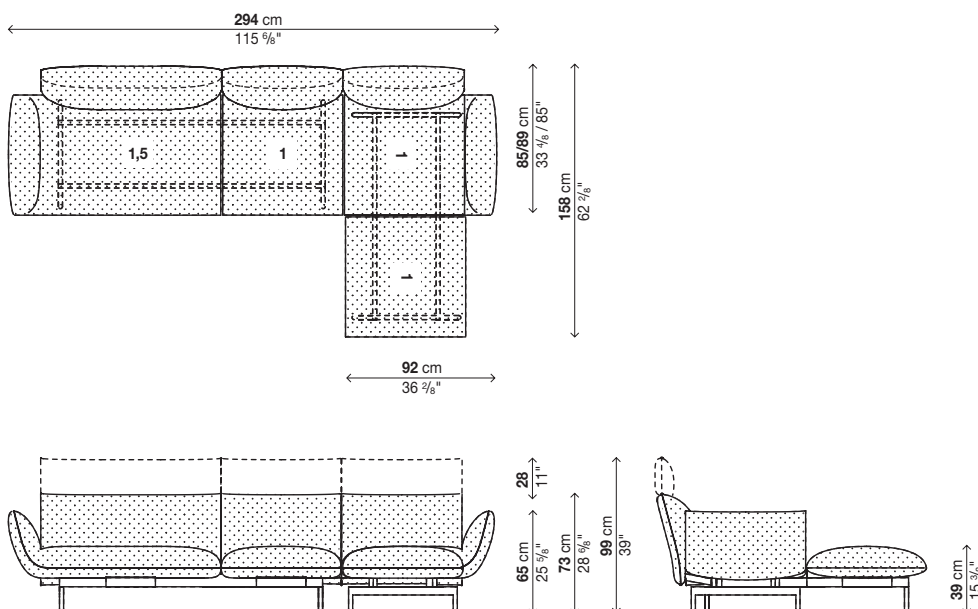
Reinforced packaging, see inside cover.

Backrests without headrest

Code	Feet	Cover											pack	m ²	Kg		
		A	B	C	D	E	F	G	H	L1	L2	L3					
T5	Black lacquered																
	Polished chrome, Black chrome																10 2,75 115

Backrests with headrest

Code	Feet	Cover											pack	m ²	Kg		
		A	B	C	D	E	F	G	H	L1	L2	L3					
T6	Black lacquered																
	Polished chrome, Black chrome																10 3 127



TENSO SOFA SYSTEM

Examples of composition - Corner sofa rh/lh

Finish of feet:

Black lacquered steel (similar to RAL 9004)

Polished chrome steel

Black chrome steel

Finish of cover:

A = Valencia (synthetic leather)

B = Field 2, COM (Customer fabric)

C = Merit, COL (Customer leather)

D = Clara 2, Patio, Regal, Remix 2

E = Curmi, Hero, Melange Nap

F = Canvas 2, Scuba, Steelcut trio 3

G = Divina Melange 3, Hallingdal 65

H = Twill Weave

L1 = Coast (corrected grain leather)

L2 = Elmosoft (semi-aniline leather)

Finish of top:

Fenix-NTM® Ingo black 0720 (10 mm thick)

Fenix-NTM® coloured edge (Kos white 0032, London grey 0718) (10 mm thick)

Note:

REMOVABLE COVERS:

Removable upholstery (*): FIELD 2, COM, CLARA 2, MERIT, CURMI, PATIO, REMIX 2, CANVAS 2, HERO, MELANGE NAP, STEELCUT TRIO 3, DIVINA MELANGE 3, HALLINGDAL 65, REGAL, TWILL WEAVE.
Fixed upholstery: VALENCIA, COL, SCUBA, COAST, ELMOSOFT, ELMOTIQUE.

(*) The upholstery is TECHNICALLY REMOVABLE but in order to ensure correct adhesion, it must be replaced exclusively by personnel specialised in upholstery.

For info on fabric composition, see inside cover.

For COM/COL orders, see inside cover.

Backrests without headrest consumption:

COM: 11,9 ml (H. 140 cm).

COL: 18,9 mq.

Backrests with headrest consumption:

COM: 12,5 ml (H. 140 cm).

COL: 21,8 mq.

Important: the composition includes a Fenix-NTM® tabletop for the occasional table. For the "Pietra di Fossena" tabletop, there is a surcharge of - €.

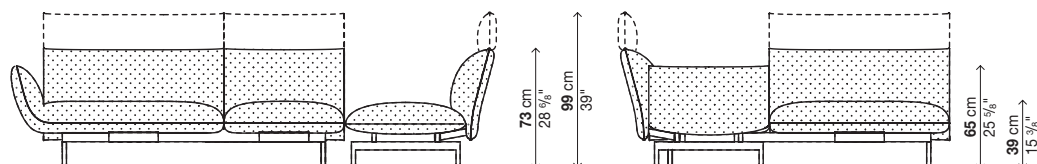
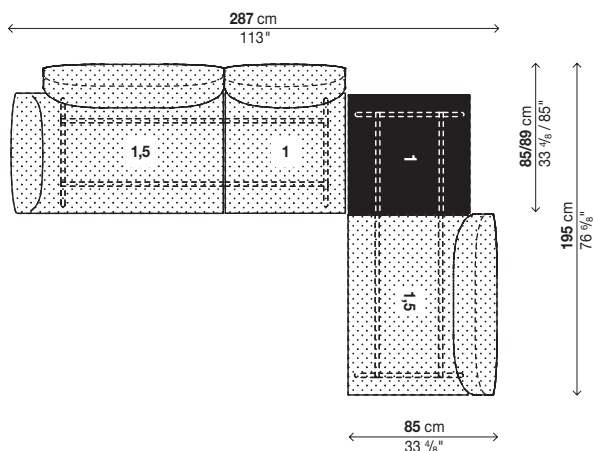
Reinforced packaging, see inside cover.

Backrests without headrest

Code	Feet	Cover											pack	m ³	Kg			
		A	B	C	D	E	F	G	H	L1	L2	L3						
T7	Black lacquered																	
	Polished chrome, Black chrome																	10 2,83 118

Backrests with headrest

Code	Feet	Cover											pack	m ³	Kg			
		A	B	C	D	E	F	G	H	L1	L2	L3						
T8	Black lacquered																	
	Polished chrome, Black chrome																	10 3,08 131



TENSO SOFA SYSTEM

Examples of composition - Linear sofa rh/lh

Finish of feet:

Black lacquered steel (similar to RAL 9004)
 Polished chrome steel
 Black chrome steel

Finish of cover:

A = Valencia (synthetic leather)
 B = Field 2, COM (Customer fabric)
 C = Merit, COL (Customer leather)
 D = Clara 2, Patio, Regal, Remix 2
 E = Curmi, Hero, Melange Nap
 F = Canvas 2, Scuba, Steelcut trio 3
 G = Divina Melange 3, Hallingdal 65
 H = Twill Weave
 L1 = Coast (corrected grain leather)
 L2 = Elmosoft (semi-aniline leather)

Finish of top:

Fenix-NTM® Ingo black 0720 (10 mm thick)
 Fenix-NTM® coloured edge (Kos white 0032, London grey 0718) (10 mm thick)

Note:

REMOVABLE COVERS:

Removable upholstery (*): FIELD 2, COM, CLARA 2, MERIT, CURMI, PATIO, REMIX 2, CANVAS 2, HERO, MELANGE NAP, STEELCUT TRIO 3, DIVINA MELANGE 3, HALLINGDAL 65, REGAL, TWILL WEAVE.
 Fixed upholstery: VALENCIA, COL, SCUBA, COAST, ELMOSOFT, ELMOTIQUE.

(*) The upholstery is TECHNICALLY REMOVABLE but in order to ensure correct adhesion, it must be replaced exclusively by personnel specialised in upholstery.

For info on fabric composition, see inside cover.

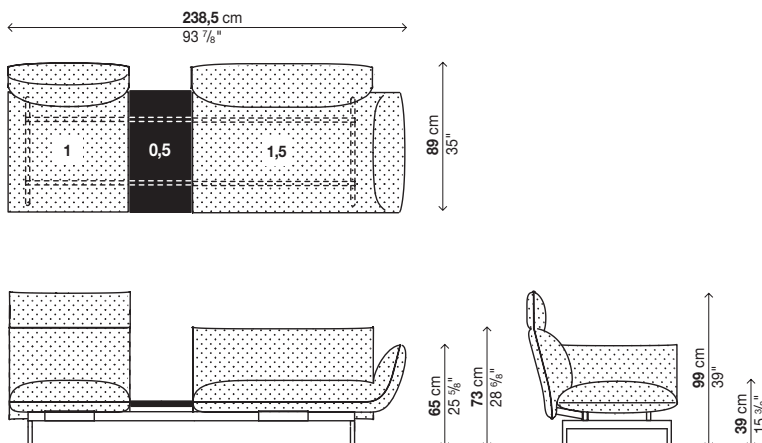
For COM/COL orders, see inside cover.

COM consumption: 8,6 ml (H. 140 cm).
 COL consumption: 14 mq.

Important: the composition includes a Fenix-NTM® tabletop for the occasional table. For the "Pietra di Fossena" tabletop, there is a surcharge of - €.

Reinforced packaging, see inside cover.

Code	Feet	Cover											pack	m ³	Kg		
		A	B	C	D	E	F	G	H	L1	L2	L3					
T9	Black lacquered																
	Polished chrome, Black chrome																6 1,88 90



TENSO SOFA SYSTEM

Examples of composition - Lounge chair rh/lh

Finish of feet:

Black lacquered steel (similar to RAL 9004)
 Polished chrome steel
 Black chrome steel

Finish of cover:

A = Valencia (synthetic leather)
 B = Field 2, COM (Customer fabric)
 C = Merit, COL (Customer leather)
 D = Clara 2, Patio, Regal, Remix 2
 E = Curmi, Hero, Melange Nap
 F = Canvas 2, Scuba, Steelcut trio 3
 G = Divina Melange 3, Hallingdal 65
 H = Twill Weave
 L1 = Coast (corrected grain leather)
 L2 = Elmosoft (semi-aniline leather)

Finish of top:

Fenix-NTM® Ingo black 0720 (10 mm thick)
 Fenix-NTM® coloured edge (Kos white 0032, London grey 0718) (10 mm thick)

Note:

REMOVABLE COVERS:

Removable upholstery (*): FIELD 2, COM, CLARA 2, MERIT, CURMI, PATIO, REMIX 2, CANVAS 2, HERO, MELANGE NAP, STEELCUT TRIO 3, DIVINA MELANGE 3, HALLINGDAL 65, REGAL, TWILL WEAVE.
 Fixed upholstery: VALENCIA, COL, SCUBA, COAST, ELMOSOFT, ELMOTIQUE.

(* The upholstery is TECHNICALLY REMOVABLE but in order to ensure correct adhesion, it must be replaced exclusively by personnel specialised in upholstery.

For info on fabric composition, see inside cover.

For COM/COL orders, see inside cover.

Backrests without headrest consumption:

COM: 3,5 ml (H. 140 cm).

COL: 4,9 mq.

Backrests with headrest consumption:

COM: 3,7 ml (H. 140 cm).

COL: 5,8 mq.

Important: the composition includes a Fenix-NTM® tabletop for the occasional table. For the "Pietra di Fossena" tabletop, there is a surcharge of - €.

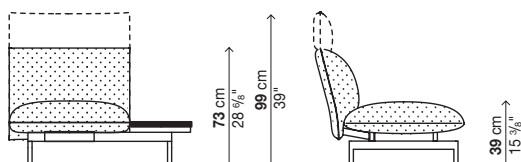
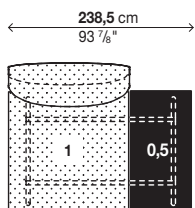
Reinforced packaging, see inside cover.

Backrests without headrest

Code	Feet	Cover											pack	m ³	Kg			
		A	B	C	D	E	F	G	H	L1	L2	L3						
T10	Black lacquered															4	0,73	48
	Polished chrome, Black chrome																	

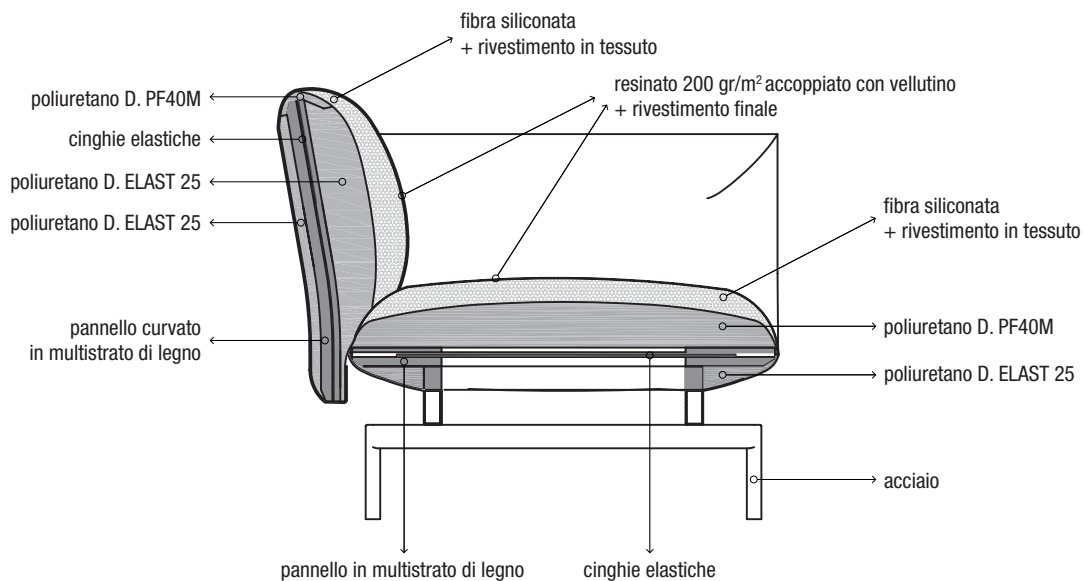
Backrests with headrest

Code	Feet	Cover											pack	m ³	Kg			
		A	B	C	D	E	F	G	H	L1	L2	L3						
T11	Black lacquered															4	0,78	51,5
	Polished chrome, Black chrome																	

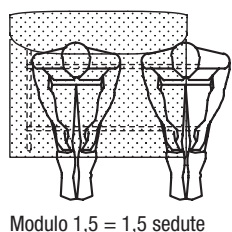
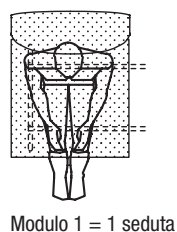
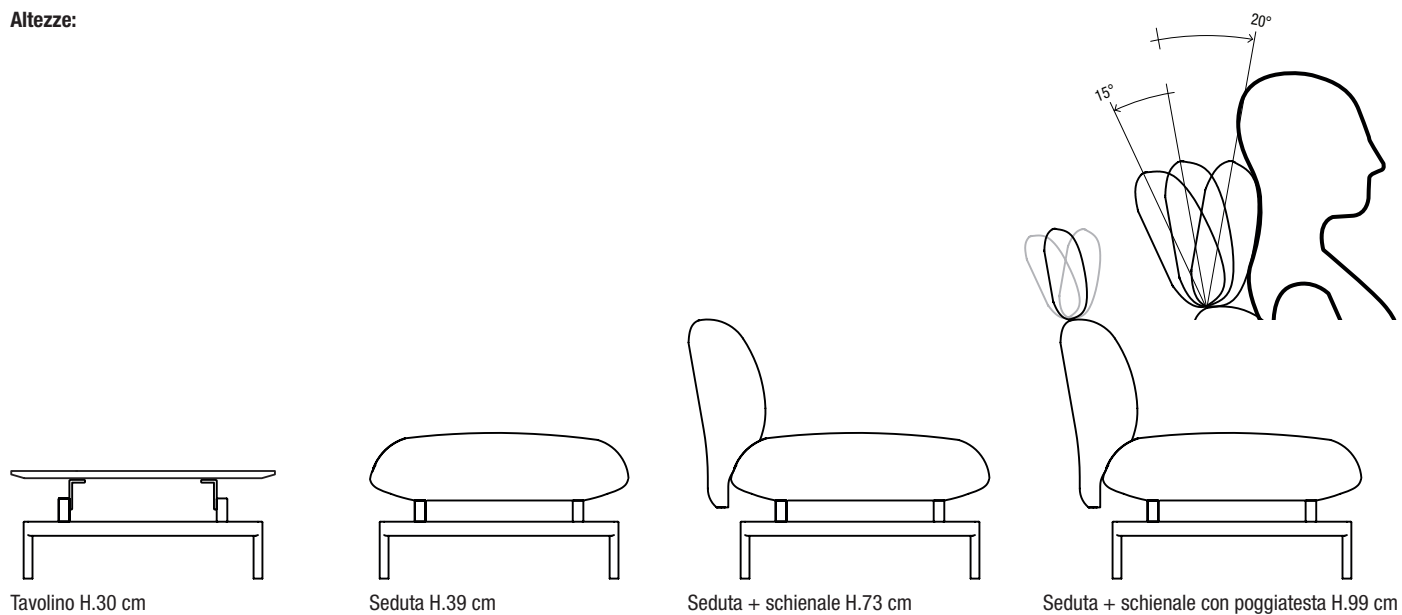


TENSO SOFA SYSTEM

Info

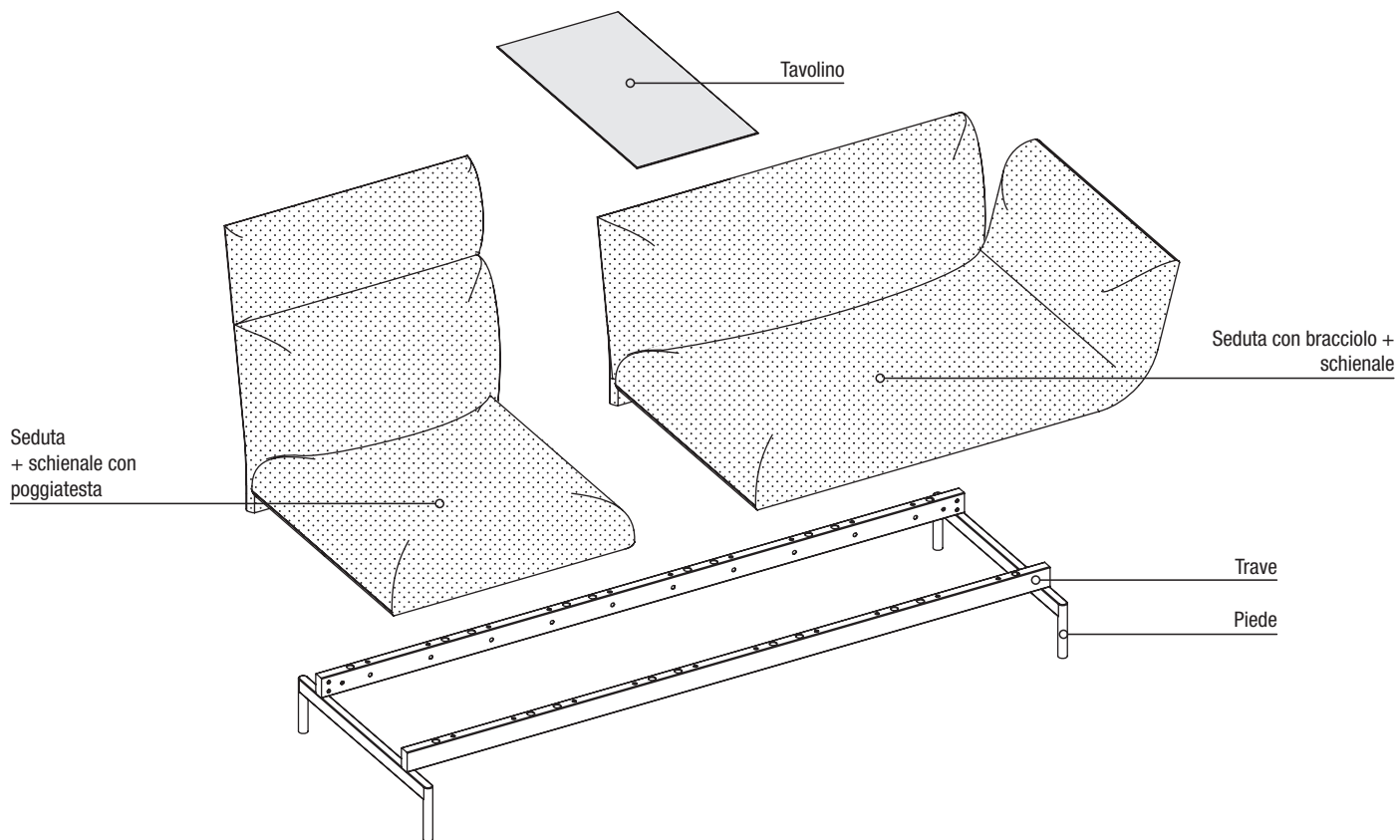


Altezze:

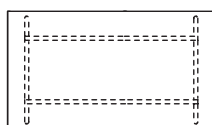
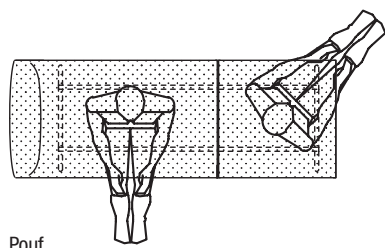
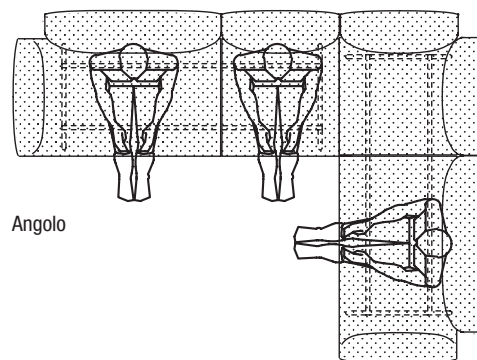
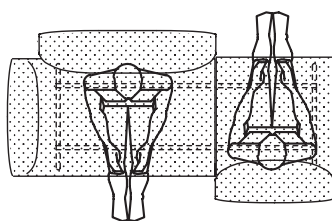
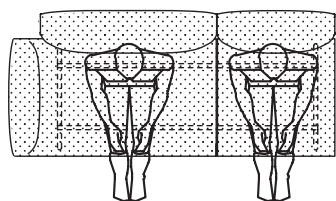


TENSO SOFA SYSTEM

Info



Tipo di composizioni:



TENSO SOFA SYSTEM

Struttura

Finitura piedi:

Acciaio verniciato nero (simile al RAL 9004)

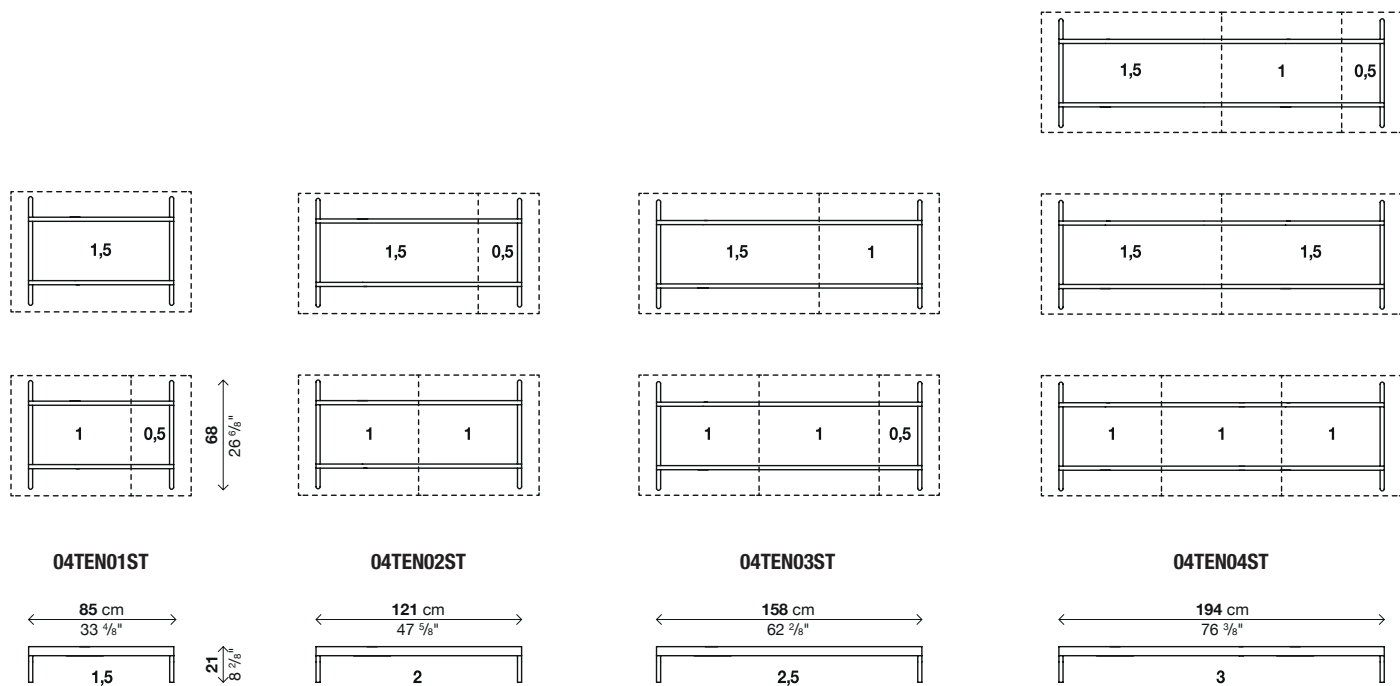
Acciaio cromato

Acciaio cromato nero

Finitura travi:

Acciaio verniciato nero (simile al RAL 9004)

Codice	Dimensioni (L x P x H)	Piedi		colli	m ³	Kg
		Verniciato nero	Cromato lucido, Cromato nero			
04TEN01ST	85 x 68 x 21 (1,5)			1	0,3	10
04TEN02ST	121 x 68 x 21 (2)			1	0,4	13
04TEN03ST	158 x 68 x 21 (2,5)			1	0,5	16
04TEN04ST	194 x 68 x 21 (3)			1	0,65	18,5



TENSO SOFA SYSTEM

Seduta

Finitura rivestimento:

- A = Valencia (pelle sintetica)
- B = Field 2, COM (tessuto Cliente)
- C = Merit, COL (pelle Cliente)
- D = Clara 2, Patio, Regal, Remix 2
- E = Curmi, Hero, Melange Nap
- F = Canvas 2, Scuba, Steelcut Trio 3
- G = Divina Melange 3, Hallingdal 65
- H = Twill Weave
- L1 = Coast (pelle fiore corretto)
- L2 = Elmosoft (pelle semi-anilina)
- L3 = Elmotique (pelle anilina)

Note:

SFODERABILITÀ:
 Rivestimenti sfoderabili (*): FIELD 2, COM, CLARA 2, MERIT, CURMI, PATIO, REMIX 2, CANVAS 2, HERO, MELANGE NAP, STEELCUT TRIO 3, DIVINA MELANGE 3, HALLINGDAL 65, REGAL, TWILL WEAVE.
 Rivestimenti fissi: VALENCIA, COL, SCUBA, COAST, ELMOSOFT, ELMOTIQUE.
 (*) Il rivestimento è TECNICAMENTE SFODERABILE, per garantire una corretta aderenza deve essere ricollocato esclusivamente da personale specializzato in tappezzeria.

Per informazioni su composizioni tessuti vedi interno di copertina.

Per ordini COM/COL vedi interno di copertina.

Consumo seduta:

73 cm COM: 1,7 ml (H. 140 cm). - COL: 2,4 mq.
 110 cm COM: 1,7 ml (H. 140 cm). - COL: 2,8 mq.
 Consumo seduta con bracciolo:
 92 cm COM: 3,1 ml (H. 140 cm). - COL: 4,4 mq.
 129 cm COM: 3,1 ml (H. 140 cm). - COL: 5,2 mq.

Imballi rinforzati vedi interno di copertina.

Seduta

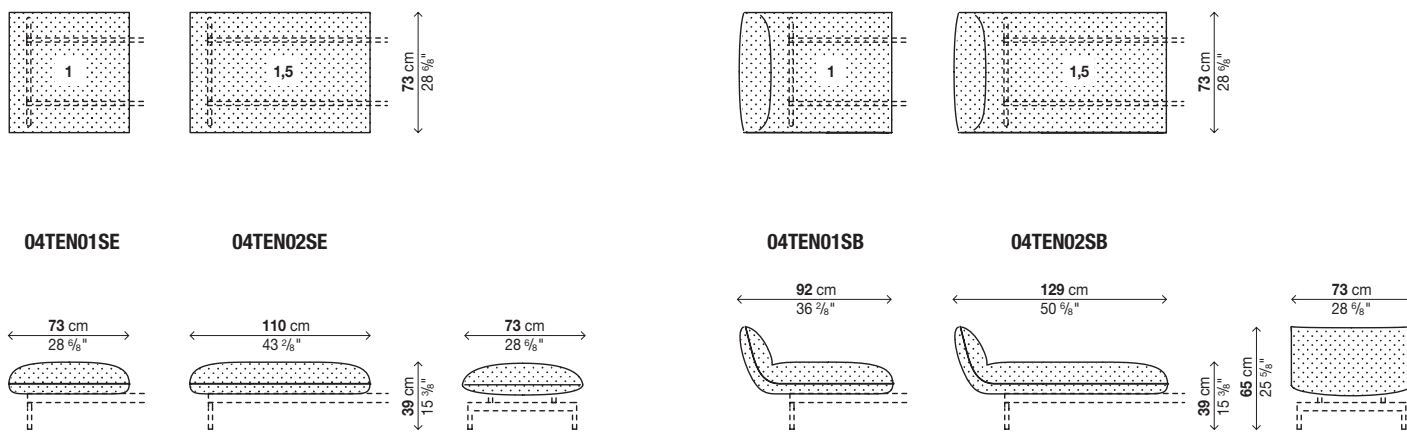
Codice	Lunghezza	Rivestimento											colli	m ³	Kg			
		A	B	C	D	E	F	G	H	L1	L2	L3						
04TEN01SE	73 (1)															1	0,15	11
04TEN02SE	110 (1,5)															1	0,25	16

Seduta con bracciolo

Codice	Lunghezza	Rivestimento											colli	m ³	Kg			
		A	B	C	D	E	F	G	H	L1	L2	L3						
04TEN01SB	92 (1)															1	0,35	16
04TEN02SB	129 (1,5)															1	0,5	21

Optionals

Codice	Descrizione	colli	m ³	Kg
04TEN01SE	Ignifugo	-	-	-
04TEN02SE	Ignifugo	-	-	-
04TEN01SB	Ignifugo	-	-	-
04TEN02SB	Ignifugo	-	-	-



TENSO SOFA SYSTEM

Seduta + schienale

Finitura rivestimento:

- A = Valencia (pelle sintetica)
- B = Field 2, COM (tessuto Cliente)
- C = Merit, COL (pelle Cliente)
- D = Clara 2, Patio, Regal, Remix 2
- E = Curmi, Hero, Melange Nap
- F = Canvas 2, Scuba, Steelcut Trio 3
- G = Divina Melange 3, Hallingdal 65
- H = Twill Weave
- L1 = Coast (pelle fiore corretto)
- L2 = Elmosoft (pelle semi-anilina)
- L3 = Elmotique (pelle anilina)

Note:

SFODERABILITÀ:

Rivestimenti sfoderabili (*): FIELD 2, COM, CLARA 2, MERIT, CURMI, PATIO, REMIX 2, CANVAS 2, HERO, MELANGE NAP, STEELCUT TRIO 3, DIVINA MELANGE 3, HALLINGDAL 65, REGAL, TWILL WEAVE.

Rivestimenti fissi: VALENCIA, COL, SCUBA, COAST, ELMOSOFT, ELMOTIQUE.

(* Il rivestimento è TECNICAMENTE SFODERABILE, per garantire una corretta aderenza deve essere ricollocato esclusivamente da personale specializzato in tappezzeria.

Per informazioni su composizioni tessuti vedi interno di copertina.

Per ordini COM/COL vedi interno di copertina.

Consumo seduta + schienale:

73 cm COM: 3,5 ml (H. 140 cm). - COL: 4,9 mq.

110 cm COM: 3,5 ml (H. 140 cm). - COL: 5,8 mq.

Consumo seduta con bracciolo + schienale:

92 cm COM: 4,9 ml (H. 140 cm). - COL: 6,9 mq.

129 cm COM: 4,9 ml (H. 140 cm). - COL: 8,2 mq.

Imballi rinforzati vedi interno di copertina.

Seduta + schienale

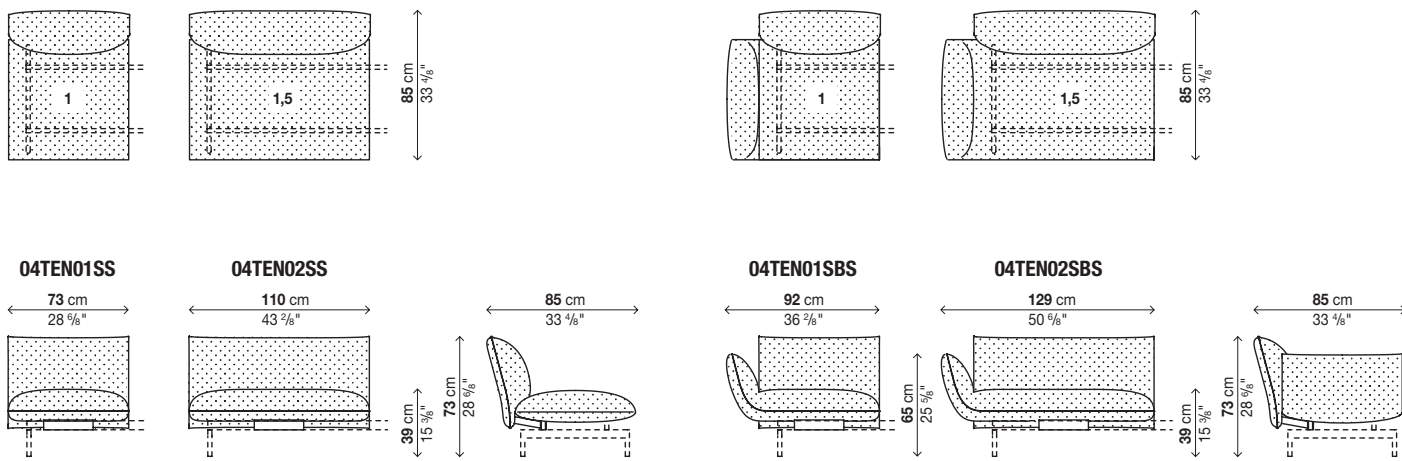
Codice	Lunghezza	Rivestimento											colli	m ²	Kg			
		A	B	C	D	E	F	G	H	L1	L2	L3						
04TEN01SS	73 (1)															2	0,35	18
04TEN02SS	110 (1,5)															2	0,55	25

Seduta con bracciolo + schienale

Codice	Lunghezza	Rivestimento											colli	m ²	Kg			
		A	B	C	D	E	F	G	H	L1	L2	L3						
04TEN01SBS	92 (1)															2	0,35	23
04TEN02SBS	129 (1,5)															2	0,5	30

Optionals

Codice	Descrizione	colli	m ²	Kg
04TEN01SS	Ignifugo	-	-	-
04TEN02SS	Ignifugo	-	-	-
04TEN01SBS	Ignifugo	-	-	-
04TEN02SBS	Ignifugo	-	-	-



TENSO SOFA SYSTEM

Seduta + schienale con poggiatesta

Finitura rivestimento:

- A = Valencia (pelle sintetica)
- B = Field 2, COM (tessuto Cliente)
- C = Merit, COL (pelle Cliente)
- D = Clara 2, Patio, Regal, Remix 2
- E = Curmi, Hero, Melange Nap
- F = Canvas 2, Scuba, Steelcut Trio 3
- G = Divina Melange 3, Hallingdal 65
- H = Twill Weave
- L1 = Coast (pelle fiore corretto)
- L2 = Elmosoft (pelle semi-anilina)
- L3 = Elmotique (pelle anilina)

Note:

SFODERABILITÀ:
 Rivestimenti sfoderabili (*): FIELD 2, COM, CLARA 2, MERIT, CURMI, PATIO, REMIX 2, CANVAS 2, HERO, MELANGE NAP, STEELCUT TRIO 3, DIVINA MELANGE 3, HALLINGDAL 65, REGAL, TWILL WEAVE.
 Rivestimenti fissi: VALENCIA, COL, SCUBA, COAST, ELMOSOFT, ELMOTIQUE.
 (*) Il rivestimento è TECNICAMENTE SFODERABILE, per garantire una corretta aderenza deve essere ricollocato esclusivamente da personale specializzato in tappezzeria.

Per informazioni su composizioni tessuti vedi interno di copertina.

Per ordini COM/COL vedi interno di copertina.

Consumo seduta + schienale con poggiatesta:
 73 cm COM: 3,7 mq (H. 140 cm). - COL: 5,8 mq.
 110 cm COM: 3,7 mq (H. 140 cm). - COL: 6,8 mq.
 Consumo seduta con bracciolo + schienale con poggiatesta:
 92 cm COM: 5,1 mq (H. 140 cm). - COL: 7,8 mq.
 129 cm COM: 5,1 mq (H. 140 cm). - COL: 9,2 mq.

Imballi rinforzati vedi interno di copertina.

Seduta + schienale con poggiatesta

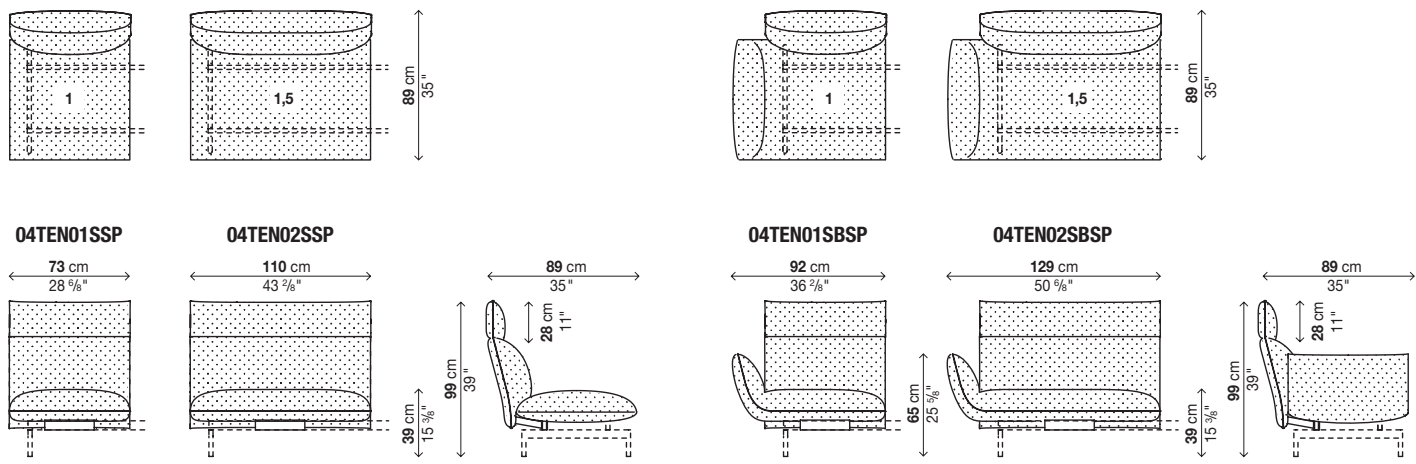
Codice	Lunghezza	Rivestimento											colli	m ³	Kg			
		A	B	C	D	E	F	G	H	L1	L2	L3						
04TEN01SSP	73 (1)															2	0,4	21,5
04TEN02SSP	110 (1,5)															2	0,65	29,5

Seduta con bracciolo + schienale con poggiatesta

Codice	Lunghezza	Rivestimento											colli	m ³	Kg			
		A	B	C	D	E	F	G	H	L1	L2	L3						
04TEN01SBSP	92 (1)															2	0,6	26,5
04TEN02SBSP	129 (1,5)															2	0,9	34,5

Optionals

Codice	Descrizione	colli	m ³	Kg
04TEN01SSP	Ignifugo	-	-	-
04TEN02SSP	Ignifugo	-	-	-
04TEN01SBSP	Ignifugo	-	-	-
04TEN02SBSP	Ignifugo	-	-	-



TENSO SOFA SYSTEM

Schienale laterale

Finitura rivestimento:

- A = Valencia (pelle sintetica)
- B = Field 2, COM (tessuto Cliente)
- C = Merit, COL (pelle Cliente)
- D = Clara 2, Patio, Regal, Remix 2
- E = Curmi, Hero, Melange Nap
- F = Canvas 2, Scuba, Steelcut Trio 3
- G = Divina Melange 3, Hallingdal 65
- H = Twill Weave
- L1 = Coast (pelle fiore corretto)
- L2 = Elmosoft (pelle semi-anilina)
- L3 = Elmotique (pelle anilina)

Note:

SFODERABILITÀ:

Rivestimenti sfoderabili (*): FIELD 2, COM, CLARA 2, MERIT, CURMI, PATIO, REMIX 2, CANVAS 2, HERO, MELANGE NAP, STEELCUT TRIO 3, DIVINA MELANGE 3, HALLINGDAL 65, REGAL, TWILL WEAVE.

Rivestimenti fissi: VALENCIA, COL, SCUBA, COAST, ELMOSOFT, ELMOTIQUE.

(*): Il rivestimento è TECNICAMENTE SFODERABILE, per garantire una corretta aderenza deve essere ricollocato esclusivamente da personale specializzato in tappezzeria.

Per informazioni su composizioni tessuti vedi interno di copertina.

Per ordini COM/COL vedi interno di copertina.

Consumo schienale laterale:

COM: 1,5 ml (H. 140 cm).

COL: 2,5 mq.

Consumo schienale con poggiatesta:

COM: 2 ml (H. 140 cm).

COL: 3,4 mq.

Imballi rinforzati vedi interno di copertina.

Schienale laterale

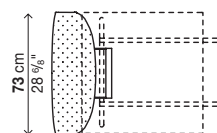
Codice	Rivestimento											colli	m ²	Kg			
	A	B	C	D	E	F	G	H	L1	L2	L3						
04TEN01SL															1	0,2	8,5

Schienale laterale con poggiatesta

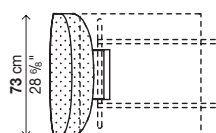
Codice	Rivestimento											colli	m ²	Kg			
	A	B	C	D	E	F	G	H	L1	L2	L3						
04TEN01SLP															1	0,3	12,5

Optionals

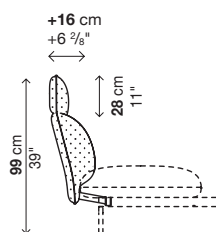
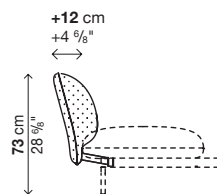
Codice	Descrizione	colli	m ²	Kg
04TEN01SL	Ignifugo	-	-	-
04TEN01SLP	Ignifugo	-	-	-



04TEN01SL



04TEN01SLP



TENSO SOFA SYSTEM

Tavolino

Finitura piano:

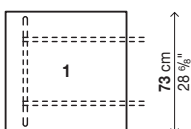
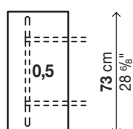
Fenix-NTM® nero Ingo 0720 (Sp. 10 mm)

Fenix-NTM® bordo colore (bianco Kos 0032, grigio Londra 0718) (Sp. 10 mm)

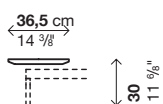
Pietra "Pietra di Fossena" (sp. 20 mm)

Piano tavolino

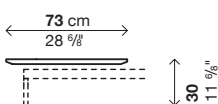
Codice	Dimensioni (L x P)	Piano		colli	m ³	Kg
		Fenix-NTM®	Pietra di Fossena			
04TEN01PI	36,5 x 73			1	0,08	20
04TEN02PI	73 x 73			1	0,12	40



04TEN01PI



04TEN02PI



TENSO SOFA SYSTEM

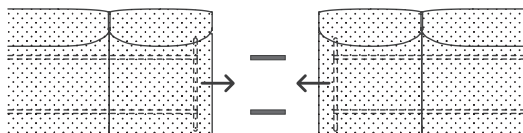
Elementi di unione

Finitura:

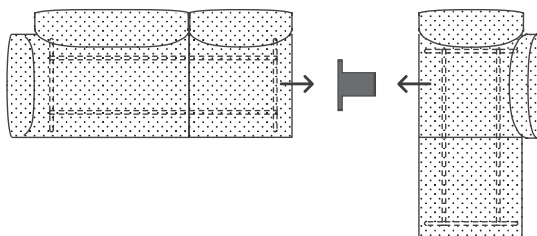
Acciaio verniciato nero

Codice	Descrizione	colli	m ³	Kg
02AGGTEN01	Lineare	2	0,01	0,8
02AGGTEN02	Ad angolo	2	0,01	2,5

02AGGTEN01



02AGGTEN02



TENSO SOFA SYSTEM

Cuscini rimovibili universali

Finitura rivestimento:

A = Valencia (pelle sintetica)
 B = Field 2, COM (tessuto Cliente)
 C = Merit, COL (pelle Cliente)
 D = Clara 2, Patio, Regal, Remix 2
 E = Curmi, Hero, Melange Nap
 F = Canvas 2, Scuba, Steelcut Trio 3
 G = Divina Melange 3, Hallingdal 65
 H = Twill Weave
 L1 = Coast (pelle fiore corretto)
 L2 = Elmosoft (pelle semi-anilina)
 L3 = Elmotique (pelle anilina)

Note:

SFODERABILITÀ:

Il rivestimento nelle versioni in tessuto e pelle è sfoderabile.

Per informazioni su composizioni tessuti vedi interno di copertina.

Per ordini COM/COL vedi interno di copertina.

Consumo cuscino 45 x 45:

COM: 0,6 ml (H. 140 cm).

COL: 0,8 mq.

Consumo cuscino 65 x 55:

COM: 0,7 ml (H. 140 cm).

COL: 1 mq.

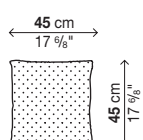
Consumo cuscino 75 x 40:

COM: 1 ml (H. 140 cm).

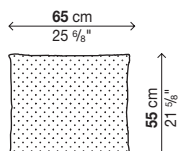
COL: 1,3 mq.

Codice	Dimensioni	Rivestimento											colli m ² Kg					
		A	B	C	D	E	F	G	H	L1	L2	L3						
20CUS01	Cuscino 45 x 45															1	0,02	1
20CUS02	Cuscino 65 x 55															1	0,02	1
20CUS03	Cuscino 75 x 40															1	0,02	1

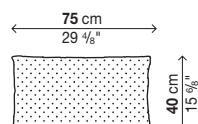
20CUS01



20CUS02



20CUS03



TENSO SOFA SYSTEM

Esempi di composizione - Divano 2 posti

Finitura piedi:

Acciaio verniciato nero (simile al RAL 9004)

Acciaio cromato

Acciaio cromato nero

Finitura rivestimento:

A = Valencia (pelle sintetica)

B = Field 2, COM (tessuto Cliente)

C = Merit, COL (pelle Cliente)

D = Clara 2, Patio, Regal, Remix 2

E = Curmi, Hero, Melange Nap

F = Canvas 2, Scuba, Steelcut Trio 3

G = Divina Melange 3, Hallingdal 65

H = Twill Weave

L1 = Coast (pelle fiore corretto)

L2 = Elmosoft (pelle semi-anilina)

L3 = Elmotique (pelle anilina)

Note:

SFODERABILITÀ:

Rivestimenti sfoderabili (*): FIELD 2, COM, CLARA 2, MERIT, CURMI, PATIO, REMIX 2, CANVAS 2, HERO, MELANGE NAP, STEELCUT TRIO 3, DIVINA MELANGE 3, HALLINGDAL 65, REGAL, TWILL WEAVE.

Rivestimenti fissi: VALENCIA, COL, SCUBA, COAST, ELMOSOFT, ELMOTIQUE.

(*) Il rivestimento è TECNICAMENTE SFODERABILE, per garantire una corretta aderenza deve essere ricollocato esclusivamente da personale specializzato in tappezzeria.

Per informazioni su composizioni tessuti vedi interno di copertina.

Per ordini COM/COL vedi interno di copertina.

Consumo schienali senza poggiatesta:

COM: 9,8 ml (H. 140 cm).

COL: 13,8 mq.

Consumo schienali con poggiatesta:

COM: 10,2 ml (H. 140 cm).

COL: 15,6 mq.

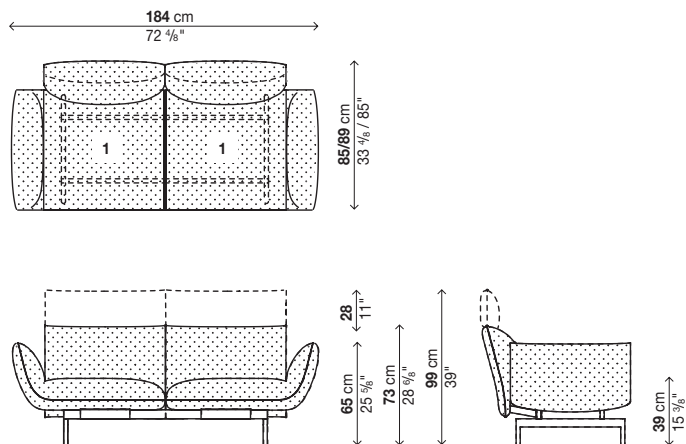
Imballi rinforzati vedi interno di copertina.

Schienali senza poggiatesta

Codice	Piedi	Rivestimento											colli	m ²	Kg		
		A	B	C	D	E	F	G	H	L1	L2	L3					
T1	Verniciato nero																
	Cromato lucido, Cromato nero																5 1,5 59

Schienali con poggiatesta

Codice	Piedi	Rivestimento											colli	m ²	Kg		
		A	B	C	D	E	F	G	H	L1	L2	L3					
T2	Verniciato nero																
	Cromato lucido, Cromato nero																5 1,6 66



TENSO SOFA SYSTEM

Esempi di composizione - Divano 3 posti

Finitura piedi:

Acciaio verniciato nero (simile al RAL 9004)

Acciaio cromato

Acciaio cromato nero

Finitura rivestimento:

A = Valencia (pelle sintetica)

B = Field 2, COM (tessuto Cliente)

C = Merit, COL (pelle Cliente)

D = Clara 2, Patio, Regal, Remix 2

E = Curmi, Hero, Melange Nap

F = Canvas 2, Scuba, Steelcut Trio 3

G = Divina Melange 3, Hallingdal 65

H = Twill Weave

L1 = Coast (pelle fiore corretto)

L2 = Elmosoft (pelle semi-anilina)

L3 = Elmotique (pelle anilina)

Note:

SFODERABILITÀ:

Rivestimenti sfoderabili (*): FIELD 2, COM, CLARA 2, MERIT, CURMI, PATIO, REMIX 2, CANVAS 2, HERO, MELANGE NAP, STEELCUT TRIO 3, DIVINA MELANGE 3, HALLINGDAL 65, REGAL, TWILL WEAVE.

Rivestimenti fissi: VALENCIA, COL, SCUBA, COAST, ELMOSOFT, ELMOTIQUE.

(*): Il rivestimento è TECNICAMENTE SFODERABILE, per garantire una corretta aderenza deve essere ricollocato esclusivamente da personale specializzato in tappezzeria.

Per informazioni su composizioni tessuti vedi interno di copertina.

Per ordini COM/COL vedi interno di copertina.

Consumo schienali senza poggiatesta:

COM: 9,8 mq (H. 140 cm).

COL: 16,4 mq.

Consumo schienali con poggiatesta:

COM: 10,2 mq (H. 140 cm).

COL: 18,4 mq.

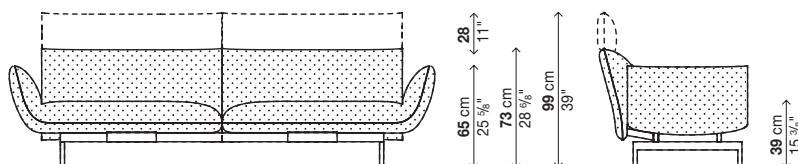
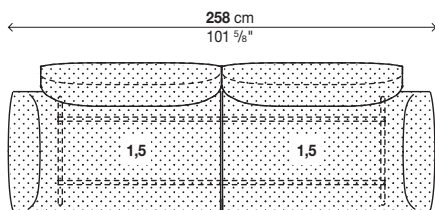
Imballi rinforzati vedi interno di copertina.

Schienali senza poggiatesta

Codice	Piedi	Rivestimento											colli	m ³	Kg		
		A	B	C	D	E	F	G	H	L1	L2	L3					
T3	Verniciato nero																
	Cromato lucido, Cromato nero																5 2,2 79

Schienali con poggiatesta

Codice	Piedi	Rivestimento											colli	m ³	Kg		
		A	B	C	D	E	F	G	H	L1	L2	L3					
T4	Verniciato nero																
	Cromato lucido, Cromato nero																5 2,2 87,5



TENSO SOFA SYSTEM

Esempi di composizione - Divano chaise longue dx/sx

Finitura piedi:

Acciaio verniciato nero (simile al RAL 9004)

Acciaio cromato

Acciaio cromato nero

Finitura rivestimento:

A = Valencia (pelle sintetica)

B = Field 2, COM (tessuto Cliente)

C = Merit, COL (pelle Cliente)

D = Clara 2, Patio, Regal, Remix 2

E = Curmi, Hero, Melange Nap

F = Canvas 2, Scuba, Steelcut Trio 3

G = Divina Melange 3, Hallingdal 65

H = Twill Weave

L1 = Coast (pelle fiore corretto)

L2 = Elmosoft (pelle semi-anilina)

L3 = Elmotique (pelle anilina)

Note:

SFODERABILITÀ:

Rivestimenti sfoderabili (*): FIELD 2, COM, CLARA 2, MERIT, CURMI, PATIO, REMIX 2, CANVAS 2, HERO, MELANGE NAP, STEELCUT TRIO 3, DIVINA MELANGE 3, HALLINGDAL 65, REGAL, TWILL WEAVE.

Rivestimenti fissi: VALENCIA, COL, SCUBA, COAST, ELMOSOFT, ELMOTIQUE.

(*): Il rivestimento è TECNICAMENTE SFODERABILE, per garantire una corretta aderenza deve essere ricollocato esclusivamente da personale specializzato in tappezzeria.

Per informazioni su composizioni tessuti vedi interno di copertina.

Per ordini COM/COL vedi interno di copertina.

Consumo schienali senza poggiatesta:

COM: 14,7 ml (H. 140 cm).

COL: 22,4 mq.

Consumo schienali con poggiatesta:

COM: 15,6 ml (H. 140 cm).

COL: 25,2 mq.

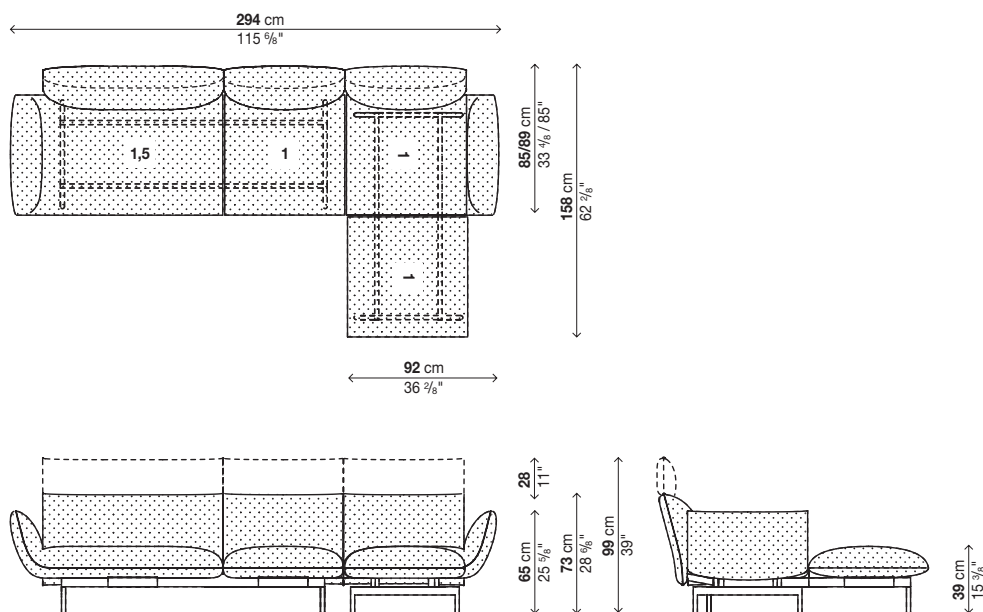
Imballi rinforzati vedi interno di copertina.

Schienali senza poggiatesta

Codice	Piedi	Rivestimento											colli	m ²	Kg		
		A	B	C	D	E	F	G	H	L1	L2	L3					
T5	Verniciato nero																
	Cromato lucido, Cromato nero																10 2,75 115

Schienali con poggiatesta

Codice	Piedi	Rivestimento											colli	m ²	Kg		
		A	B	C	D	E	F	G	H	L1	L2	L3					
T6	Verniciato nero																
	Cromato lucido, Cromato nero																10 3 127



TENSO SOFA SYSTEM

Esempi di composizione - Divano ad angolo dx/sx

Finitura piedi:

Acciaio verniciato nero (simile al RAL 9004)

Acciaio cromato

Acciaio cromato nero

Finitura rivestimento:

A = Valencia (pelle sintetica)

B = Field 2, COM (tessuto Cliente)

C = Merit, COL (pelle Cliente)

D = Clara 2, Patio, Regal, Remix 2

E = Curmi, Hero, Melange Nap

F = Canvas 2, Scuba, Steelcut Trio 3

G = Divina Melange 3, Hallingdal 65

H = Twill Weave

L1 = Coast (pelle fiore corretto)

L2 = Elmosoft (pelle semi-anilina)

L3 = Elmotique (pelle anilina)

Finitura piano:

Fenix-NTM® nero Ingo 0720 (Sp. 10 mm)

Fenix-NTM® bordo colore (bianco Kos 0032, grigio Londra 0718) (Sp. 10 mm)

Note:

SFODERABILITÀ:

Rivestimenti sfoderabili (*): FIELD 2, COM, CLARA 2, MERIT, CURMI, PATIO, REMIX 2, CANVAS 2, HERO, MELANGE NAP, STEELCUT TRIO 3, DIVINA MELANGE 3, HALLINGDAL 65, REGAL, TWILL WEAVE.

Rivestimenti fissi: VALENCIA, COL, SCUBA, COAST, ELMOSOFT, ELMOTIQUE.

(*) Il rivestimento è TECNICAMENTE SFODERABILE, per garantire una corretta aderenza deve essere ricollocato esclusivamente da personale specializzato in tappezzeria.

Per informazioni su composizioni tessuti vedi interno di copertina.

Per ordini COM/COL vedi interno di copertina.

Consumo schienali senza poggiatesta:

COM: 11,9 ml (H. 140 cm).

COL: 18,9 mq.

Consumo schienali con poggiatesta:

COM: 12,5 ml (H. 140 cm).

COL: 21,8 mq.

Attenzione: la composizione prevede il piano tavolino in Fenix-NTM®.

Per piano in pietra "Pietra di Fossena" considerare un sovrapprezzo di - €.

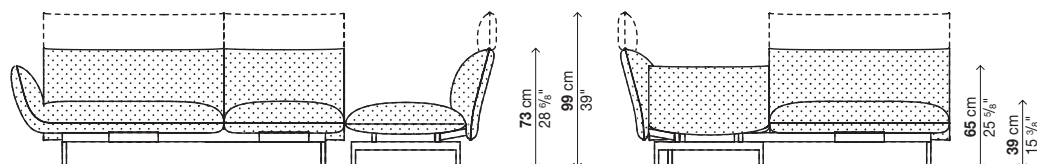
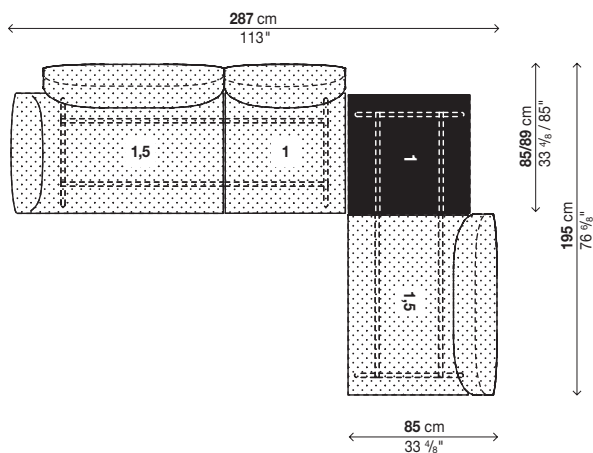
Imballi rinforzati vedi interno di copertina.

Schienali senza poggiatesta

Codice	Piedi	Rivestimento											colli	m ³	Kg			
		A	B	C	D	E	F	G	H	L1	L2	L3						
T7	Verniciato nero																	
	Cromato lucido, Cromato nero																	10 2,83 118

Schienali con poggiatesta

Codice	Piedi	Rivestimento											colli	m ³	Kg			
		A	B	C	D	E	F	G	H	L1	L2	L3						
T8	Verniciato nero																	
	Cromato lucido, Cromato nero																	10 3,08 131



TENSO SOFA SYSTEM

Esempi di composizione - Divano lineare dx/sx

Finitura piedi:

Acciaio verniciato nero (simile al RAL 9004)

Acciaio cromato

Acciaio cromato nero

Finitura rivestimento:

A = Valencia (pelle sintetica)

B = Field 2, COM (tessuto Cliente)

C = Merit, COL (pelle Cliente)

D = Clara 2, Patio, Regal, Remix 2

E = Curmi, Hero, Melange Nap

F = Canvas 2, Scuba, Steelcut Trio 3

G = Divina Melange 3, Hallingdal 65

H = Twill Weave

L1 = Coast (pelle fiore corretto)

L2 = Elmosoft (pelle semi-anilina)

L3 = Elmotique (pelle anilina)

Finitura piano:

Fenix-NTM® nero Ingo 0720 (Sp. 10 mm)

Fenix-NTM® bordo colore (bianco Kos 0032, grigio Londra 0718) (Sp. 10 mm)

Note:

SFODERABILITÀ:

Rivestimenti sfoderabili (*): FIELD 2, COM, CLARA 2, MERIT, CURMI, PATIO, REMIX 2, CANVAS 2, HERO, MELANGE NAP, STEELCUT TRIO 3, DIVINA MELANGE 3, HALLINGDAL 65, REGAL, TWILL WEAVE.

Rivestimenti fissi: VALENCIA, COL, SCUBA, COAST, ELMOSOFT, ELMOTIQUE.

(*): Il rivestimento è TECNICAMENTE SFODERABILE, per garantire una corretta aderenza deve essere ricollocato esclusivamente da personale specializzato in tappezzeria.

Per informazioni su composizioni tessuti vedi interno di copertina.

Per ordini COM/COL vedi interno di copertina.

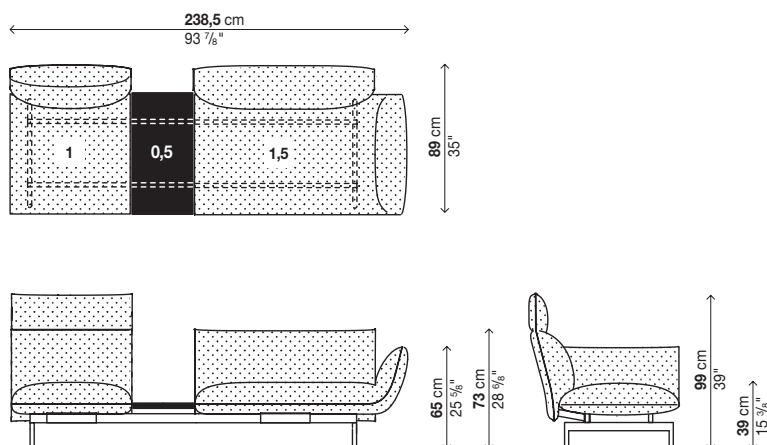
Consumo COM: 8,6 mq (H. 140 cm).

Consumo COL: 14 mq.

Attenzione: la composizione prevede il piano tavolino in Fenix-NTM®. Per piano in pietra "Pietra di Fossena" considerare un sovrapprezzo di - €.

Imballi rinforzati vedi interno di copertina.

Codice	Piedi	Rivestimento											colli	m ²	Kg			
		A	B	C	D	E	F	G	H	L1	L2	L3						
T9	Verniciato nero																	
	Cromato lucido, Cromato nero																	6 1,88 90



TENSO SOFA SYSTEM

Esempi di composizione - Poltroncina lounge dx/sx

Finitura piedi:

Acciaio verniciato nero (simile al RAL 9004)

Acciaio cromato

Acciaio cromato nero

Finitura rivestimento:

A = Valencia (pelle sintetica)

B = Field 2, COM (tessuto Cliente)

C = Merit, COL (pelle Cliente)

D = Clara 2, Patio, Regal, Remix 2

E = Curmi, Hero, Melange Nap

F = Canvas 2, Scuba, Steelcut Trio 3

G = Divina Melange 3, Hallingdal 65

H = Twill Weave

L1 = Coast (pelle fiore corretto)

L2 = Elmosoft (pelle semi-anilina)

L3 = Elmotique (pelle anilina)

Finitura piano:

Fenix-NTM® nero Ingo 0720 (Sp. 10 mm)

Fenix-NTM® bordo colore (bianco Kos 0032, grigio Londra 0718) (Sp. 10 mm)

Note:

SFODERABILITÀ:

Rivestimenti sfoderabili (*): FIELD 2, COM, CLARA 2, MERIT, CURMI, PATIO, REMIX 2, CANVAS 2, HERO, MELANGE NAP, STEELCUT TRIO 3, DIVINA MELANGE 3, HALLINGDAL 65, REGAL, TWILL WEAVE.

Rivestimenti fissi: VALENCIA, COL, SCUBA, COAST, ELMOSOFT, ELMOTIQUE.

(*): Il rivestimento è TECNICAMENTE SFODERABILE, per garantire una corretta aderenza deve essere ricollocato esclusivamente da personale specializzato in tappezzeria.

Per informazioni su composizioni tessuti vedi interno di copertina.

Per ordini COM/COL vedi interno di copertina.

Consumo schienali senza poggiatesta:

COM: 3,5 ml (H. 140 cm).

COL: 4,9 mq.

Consumo schienali con poggiatesta:

COM: 3,7 ml (H. 140 cm).

COL: 5,8 mq.

Attenzione: la composizione prevede il piano tavolino in Fenix-NTM®.

Per piano in pietra "Pietra di Fossena" considerare un sovrapprezzo

di - €.

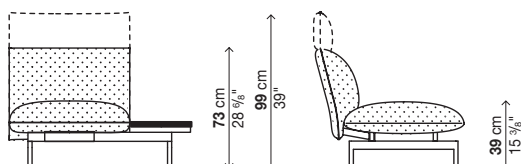
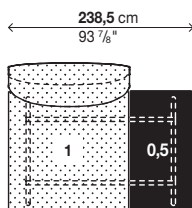
Imballi rinforzati vedi interno di copertina.

Schienali senza poggiatesta

Codice	Piedi	Rivestimento											colli	m ²	Kg		
		A	B	C	D	E	F	G	H	L1	L2	L3					
T10	Verniciato nero																
	Cromato lucido, Cromato nero																4 0,73 48

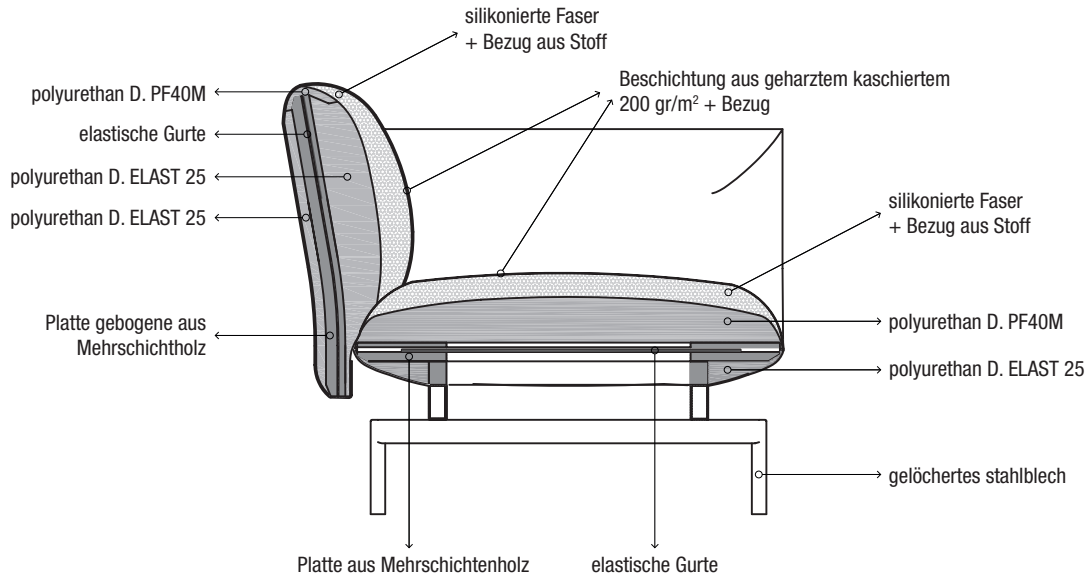
Schienali con poggiatesta

Codice	Piedi	Rivestimento											colli	m ²	Kg		
		A	B	C	D	E	F	G	H	L1	L2	L3					
T11	Verniciato nero																
	Cromato lucido, Cromato nero																4 0,78 51,5

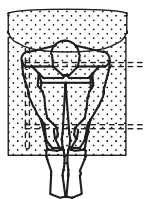
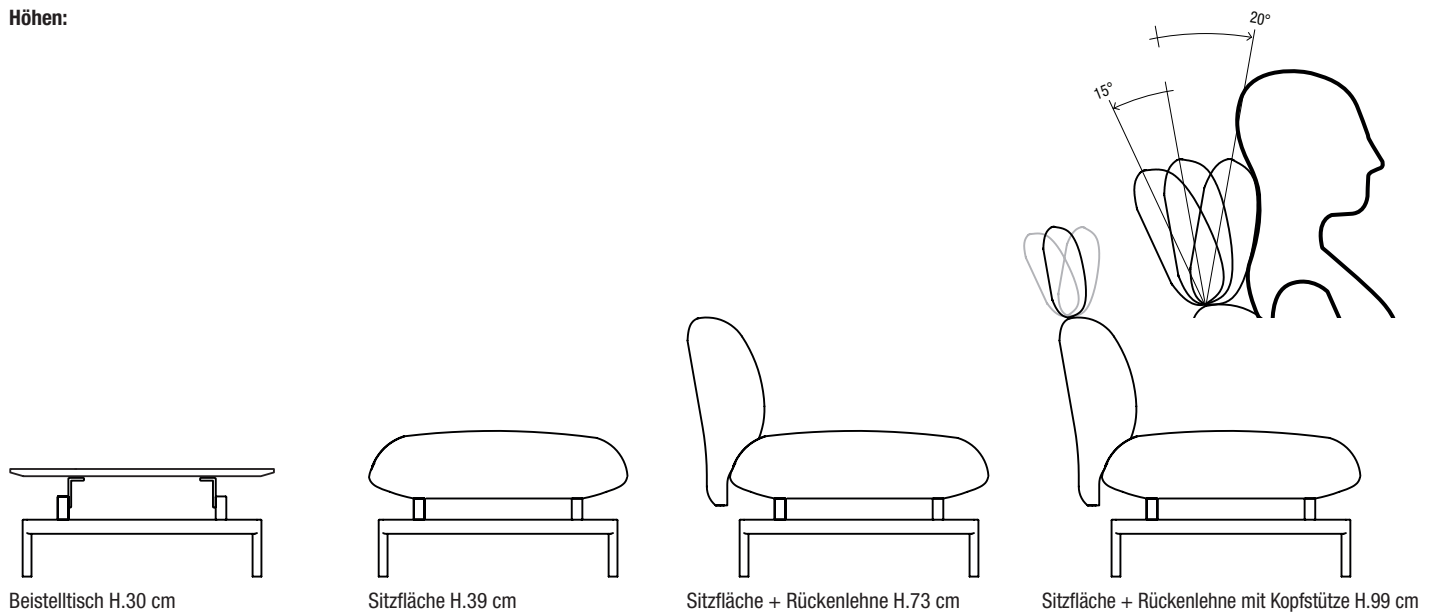


TENSO SOFA SYSTEM

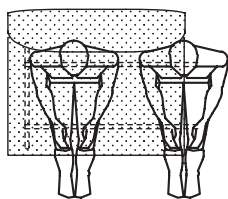
Info



Höhen:



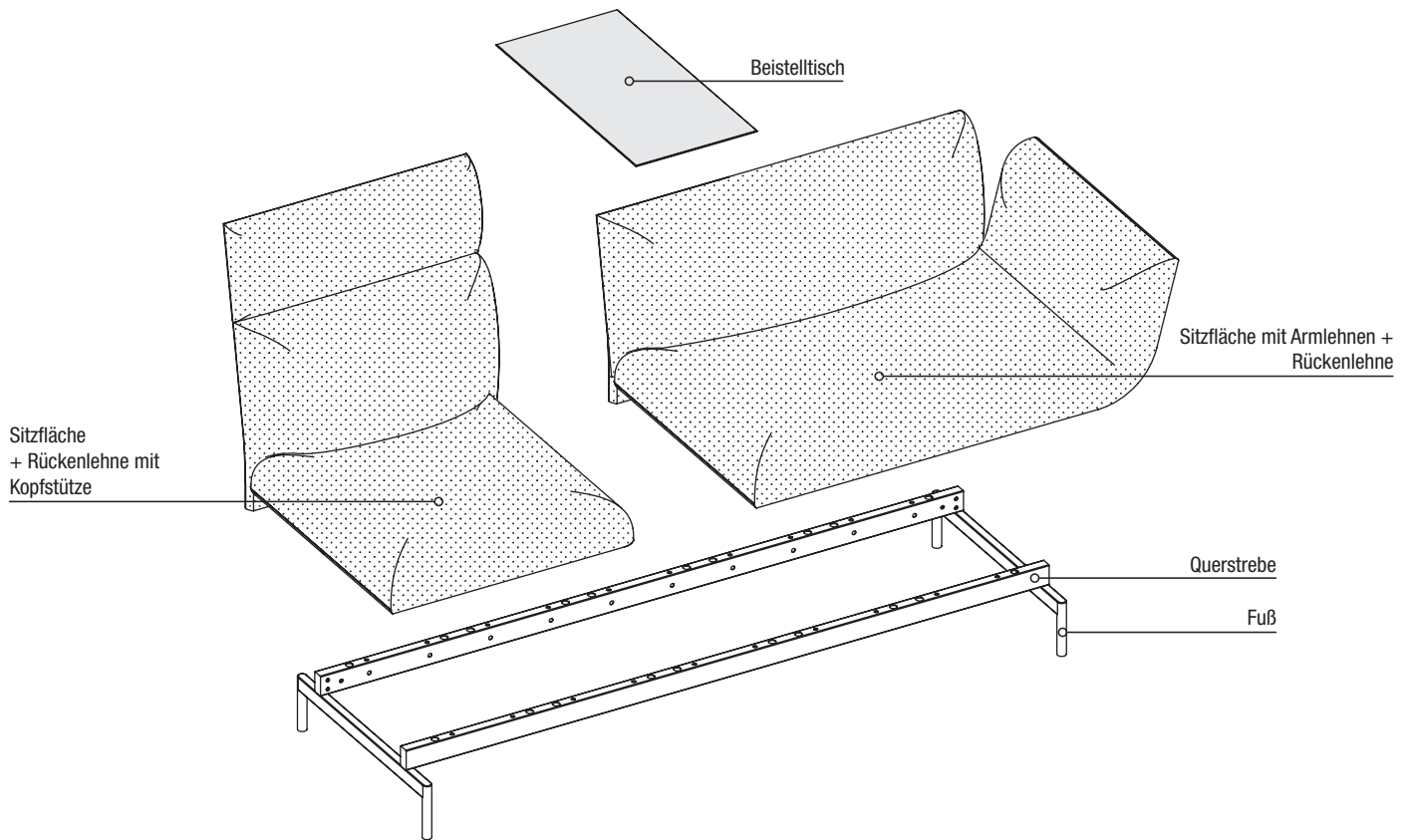
Modul 1 = 1 Sitzfläche



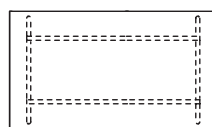
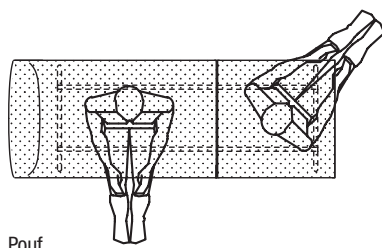
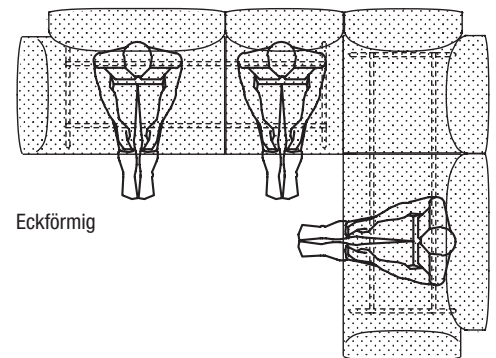
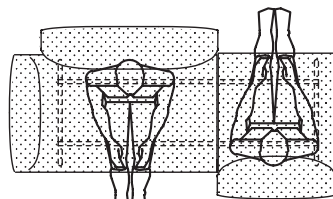
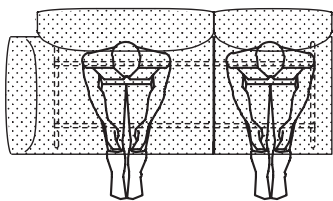
Modul 1,5 = 1,5 Sitzungen

TENSO SOFA SYSTEM

Info



Art der Kompositionen:



TENSO SOFA SYSTEM

Struktur

Ausführung Füßen:

Schwarz lackierter Stahl (farbähnlich wie RAL 9004)

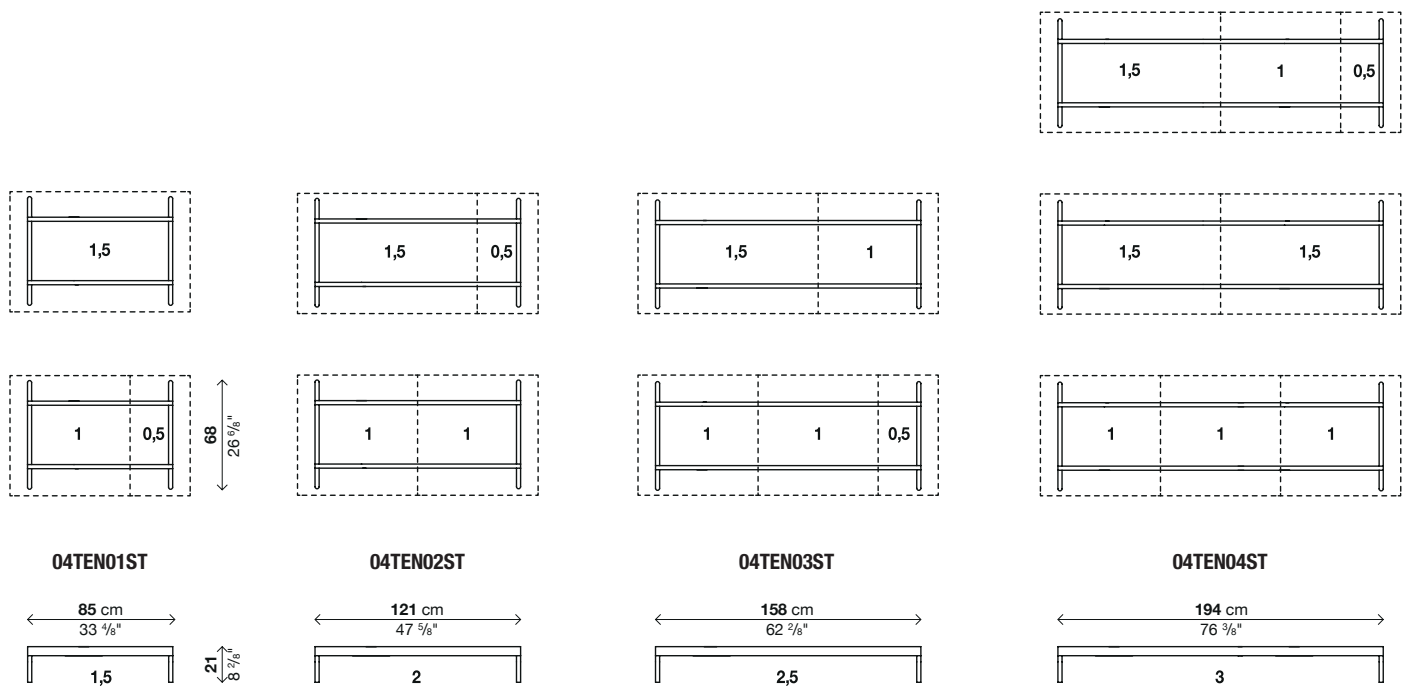
Verchromter Stahl

Schwarz verchromter Stahl

Ausführung Querstreben:

Schwarz lackierter Stahl (farbähnlich wie RAL 9004)

Art.-Nr.	Größe (L x T x H)	Füßen		kolli	m³	Kg
		Schwarz lackiert	Verchromter Stahl, Schwarz verchromter Stahl			
04TEN01ST	85 x 68 x 21 (1,5)			1	0,3	10
04TEN02ST	121 x 68 x 21 (2)			1	0,4	13
04TEN03ST	158 x 68 x 21 (2,5)			1	0,5	16
04TEN04ST	194 x 68 x 21 (3)			1	0,65	18,5



TENSO SOFA SYSTEM

Sitzfläche

Ausführung des Bezugs:

- A = Valencia (Synthetische Leder)
- B = Field 2, COM (Kundenstoff)
- C = Merit, COL (Kundenleder)
- D = Clara 2, Patio, Regal, Remix 2
- E = Curmi, Hero, Melange Nap
- F = Canvas 2, Scuba, Steelcut Trio 3
- G = Divina Melange 3, Hallingdal 65
- H = Twill Weave
- L1 = Coast (Nubukleder)
- L2 = Elmosoft (Semianilinleder)
- L3 = Elmotique (Anilinleder)

Anmerkung:

ABZIEHBAR:
 Abziehbare Bezüge (*): FIELD 2, COM, CLARA 2, MERIT, CURMI, PATIO, REMIX 2, CANVAS 2, HERO, MELANGE NAP, STEELCUT TRIO 3, DIVINA MELANGE 3, HALLINGDAL 65, REGAL, TWILL WEAVE.
 Fixe Bezüge: VALENCIA, COL, SCUBA, COAST, ELMOSOFT, ELMOTIQUE.
 (*) Der Bezug ist TECHNISCH GESEHEN ABZIEHBAR, um seinen perfekten Sitz zu garantieren, sollte er jedoch ausschließlich von Fachkräften des Polsterhandwerks aufgezogen werden.

Für Informationen zur Zusammensetzung der Stoffe siehe Innenseite des Umschlags.

Für Aufträge mit COM/COL siehe Innenseite des Umschlags.

Verbrauch Sitzfläche:

73 cm COM: 1,7 ml (H. 140 cm). - COL: 2,4 mq.
 110 cm COM: 1,7 ml (H. 140 cm). - COL: 2,8 mq.
 Verbrauch Sitzfläche mit Armlehnen:
 92 cm COM: 3,1 ml (H. 140 cm). - COL: 4,4 mq.
 129 cm COM: 3,1 ml (H. 140 cm). - COL: 5,2 mq.

Für verstärkte Verpackungen siehe Innenseite des Umschlags.

Sitzfläche

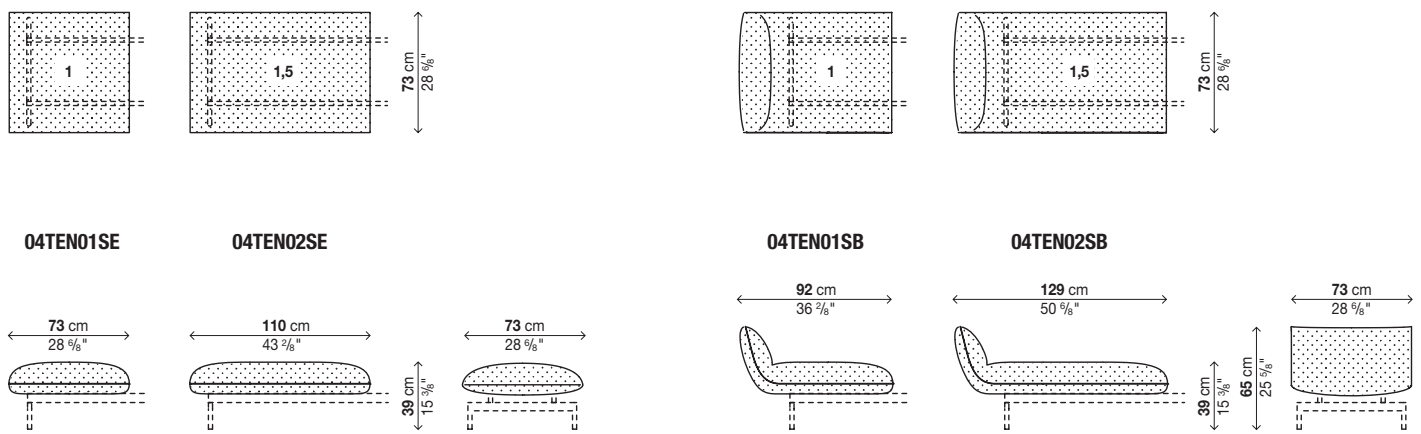
Art.-Nr.	Länge	Bezug											kolli	m ³	Kg			
		A	B	C	D	E	F	G	H	L1	L2	L3						
04TEN01SE	73 (1)															1	0,15	11
04TEN02SE	110 (1,5)															1	0,25	16

Sitzfläche mit Armlehnen

Art.-Nr.	Länge	Bezug											kolli	m ³	Kg			
		A	B	C	D	E	F	G	H	L1	L2	L3						
04TEN01SB	92 (1)															1	0,35	16
04TEN02SB	129 (1,5)															1	0,5	21

Optionen

Art.-Nr.	Beschreibung	kolli	m ³	Kg
04TEN01SE	Feuerfest	-	-	-
04TEN02SE	Feuerfest	-	-	-
04TEN01SB	Feuerfest	-	-	-
04TEN02SB	Feuerfest	-	-	-



TENSO SOFA SYSTEM

Sitzfläche + Rückenlehne

Ausführung des Bezugs:

- A = Valencia (Synthetische Leder)
- B = Field 2, COM (Kundenstoff)
- C = Merit, COL (Kundenleder)
- D = Clara 2, Patio, Regal, Remix 2
- E = Curmi, Hero, Melange Nap
- F = Canvas 2, Scuba, Steelcut Trio 3
- G = Divina Melange 3, Hallingdal 65
- H = Twill Weave
- L1 = Coast (Nubukleder)
- L2 = Elmosoft (Semianilinleder)
- L3 = Elmotique (Anilinleder)

Anmerkung:

ABZIEHBAR:
 Abziehbare Bezüge (*): FIELD 2, COM, CLARA 2, MERIT, CURMI, PATIO, REMIX 2, CANVAS 2, HERO, MELANGE NAP, STEELCUT TRIO 3, DIVINA MELANGE 3, HALLINGDAL 65, REGAL, TWILL WEAVE.
 Fixe Bezüge: VALENCIA, COL, SCUBA, COAST, ELMOSOFT, ELMOTIQUE.
 (*) Der Bezug ist TECHNISCH GESEHEN ABZIEHBAR, um seinen perfekten Sitz zu garantieren, sollte er jedoch ausschließlich von Fachkräften des Polsterhandwerks aufgezogen werden.

Für Informationen zur Zusammensetzung der Stoffe siehe Innenseite des Umschlags.

Für Aufträge mit COM/COL siehe Innenseite des Umschlags.

Verbrauch Sitzfläche + Rückenlehne:
 73 cm COM: 3,5 ml (H. 140 cm). - COL: 4,9 mq.
 110 cm COM: 3,5 ml (H. 140 cm). - COL: 5,8 mq.
 Verbrauch Sitzfläche mit Armlehnen + Rückenlehne:
 92 cm COM: 4,9 ml (H. 140 cm). - COL: 6,9 mq.
 129 cm COM: 4,9 ml (H. 140 cm). - COL: 8,2 mq.

Für verstärkte Verpackungen siehe Innenseite des Umschlags.

Sitzfläche + Rückenlehne

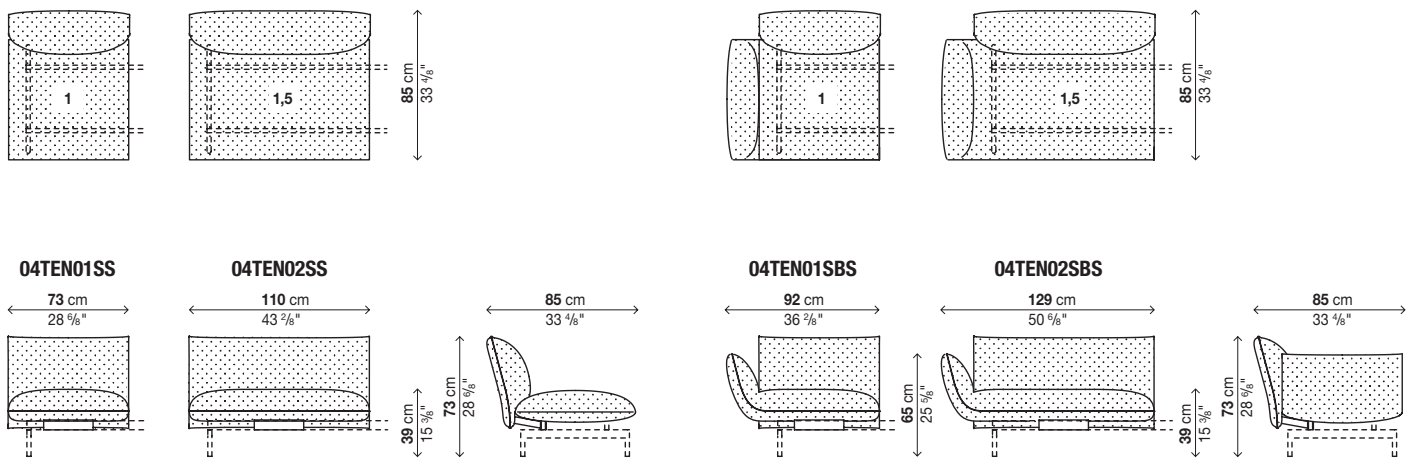
Art.-Nr.	Länge	Bezug											kolli	m ³	Kg			
		A	B	C	D	E	F	G	H	L1	L2	L3						
04TEN01SS	73 (1)															2	0,35	18
04TEN02SS	110 (1,5)															2	0,55	25

Sitzfläche mit Armlehnen + Rückenlehne

Art.-Nr.	Länge	Bezug											kolli	m ³	Kg			
		A	B	C	D	E	F	G	H	L1	L2	L3						
04TEN01SBS	92 (1)															2	0,35	23
04TEN02SBS	129 (1,5)															2	0,5	30

Optionen

Art.-Nr.	Beschreibung	kolli	m ³	Kg
04TEN01SS	Feuerfest	-	-	-
04TEN02SS	Feuerfest	-	-	-
04TEN01SBS	Feuerfest	-	-	-
04TEN02SBS	Feuerfest	-	-	-



TENSO SOFA SYSTEM

Sitzfläche + Rückenlehne mit Kopfstütze

Ausführung des Bezugs:

- A = Valencia (Synthetische Leder)
- B = Field 2, COM (Kundenstoff)
- C = Merit, COL (Kundenleder)
- D = Clara 2, Patio, Regal, Remix 2
- E = Curmi, Hero, Melange Nap
- F = Canvas 2, Scuba, Steelcut Trio 3
- G = Divina Melange 3, Hallingdal 65
- H = Twill Weave
- L1 = Coast (Nubukleder)
- L2 = Elmosoft (Semianilinleder)
- L3 = Elmotique (Anilinleder)

Anmerkung:

ABZIEHBAR:
 Abziehbare Bezüge (*): FIELD 2, COM, CLARA 2, MERIT, CURMI, PATIO, REMIX 2, CANVAS 2, HERO, MELANGE NAP, STEELCUT TRIO 3, DIVINA MELANGE 3, HALLINGDAL 65, REGAL, TWILL WEAVE.
 Fixe Bezüge: VALENCIA, COL, SCUBA, COAST, ELMOSOFT, ELMOTIQUE.
 (*) Der Bezug ist TECHNISCH GESEHEN ABZIEHBAR, um seinen perfekten Sitz zu garantieren, sollte er jedoch ausschließlich von Fachkräften des Polsterhandwerks aufgezogen werden.

Für Informationen zur Zusammensetzung der Stoffe siehe Innenseite des Umschlags.

Für Aufträge mit COM/COL siehe Innenseite des Umschlags.

Verbrauch Sitzfläche + Rückenlehne mit Kopfstütze:

73 cm COM: 3,7 ml (H. 140 cm). - COL: 5,8 mq.
 110 cm COM: 3,7 ml (H. 140 cm). - COL: 6,8 mq.
 Verbrauch Sitzfläche mit Armlehnen + Rückenlehne mit Kopfstütze:
 92 cm COM: 5,1 ml (H. 140 cm). - COL: 7,8 mq.
 129 cm COM: 5,1 ml (H. 140 cm). - COL: 9,2 mq.

Für verstärkte Verpackungen siehe Innenseite des Umschlags.

Sitzfläche + Rückenlehne mit Kopfstütze

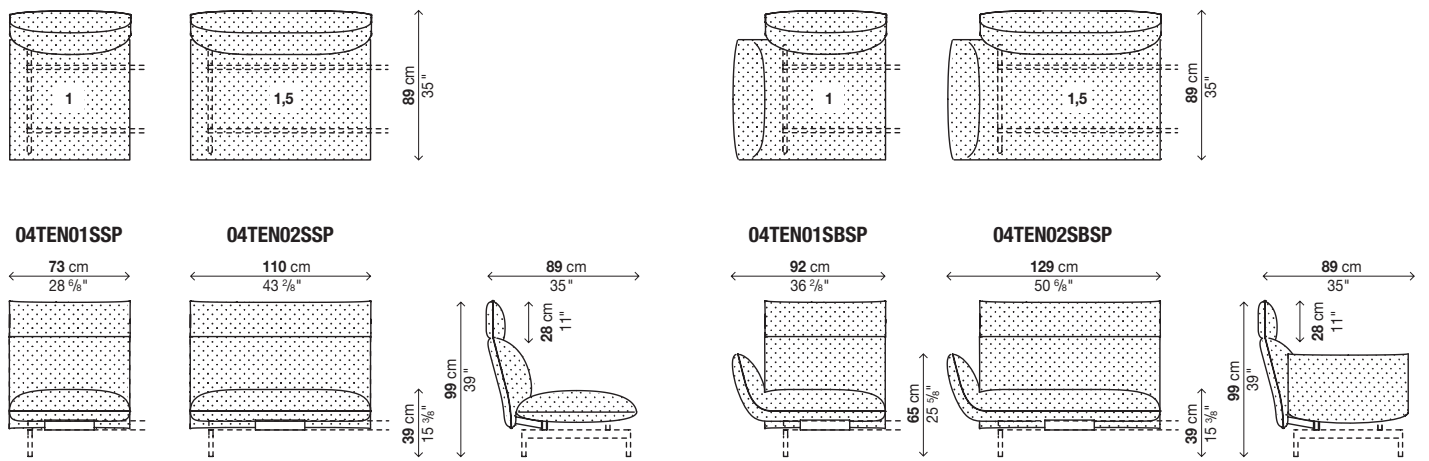
Art.-Nr.	Länge	Bezug											kolli	m ³	Kg			
		A	B	C	D	E	F	G	H	L1	L2	L3						
04TEN01SSP	73 (1)															2	0,4	21,5
04TEN02SSP	110 (1,5)															2	0,65	29,5

Sitzfläche mit Armlehnen + Rückenlehne mit Kopfstütze

Art.-Nr.	Länge	Bezug											kolli	m ³	Kg			
		A	B	C	D	E	F	G	H	L1	L2	L3						
04TEN01SBSP	92 (1)															2	0,6	26,5
04TEN02SBSP	129 (1,5)															2	0,9	34,5

Optionen

Art.-Nr.	Beschreibung	kolli	m ³	Kg
04TEN01SSP	Feuerfest	-	-	-
04TEN02SSP	Feuerfest	-	-	-
04TEN01SBSP	Feuerfest	-	-	-
04TEN02SBSP	Feuerfest	-	-	-



TENSO SOFA SYSTEM

Seitliche Rückenlehne

Ausführung des Bezugs:

- A = Valencia (Synthetische Leder)
- B = Field 2, COM (Kundenstoff)
- C = Merit, COL (Kundenleder)
- D = Clara 2, Patio, Regal, Remix 2
- E = Curmi, Hero, Melange Nap
- F = Canvas 2, Scuba, Steelcut Trio 3
- G = Divina Melange 3, Hallingdal 65
- H = Twill Weave
- L1 = Coast (Nubukleder)
- L2 = Elmosoft (Semianilinleder)
- L3 = Elmotique (Anilinleder)

Anmerkung:

ABZIEHBAR:
 Abziehbare Bezüge (*): FIELD 2, COM, CLARA 2, MERIT, CURMI, PATIO, REMIX 2, CANVAS 2, HERO, MELANGE NAP, STEELCUT TRIO 3, DIVINA MELANGE 3, HALLINGDAL 65, REGAL, TWILL WEAVE.
 Fixe Bezüge: VALENCIA, COL, SCUBA, COAST, ELMOSOFT, ELMOTIQUE.
 (*) Der Bezug ist TECHNISCH GESEHEN ABZIEHBAR, um seinen perfekten Sitz zu garantieren, sollte er jedoch ausschließlich von Fachkräften des Polsterhandwerks aufgezogen werden.

Für Informationen zur Zusammensetzung der Stoffe siehe Innenseite des Umschlags.

Für Aufträge mit COM/COL siehe Innenseite des Umschlags.

Verbrauch Seitliche Rückenlehne:
 COM: 1,5 ml (H. 140 cm).
 COL: 2,5 mq.
 Verbrauch Rückenlehne mit Kopfstütze:
 COM: 2 ml (H. 140 cm).
 COL: 3,4 mq.

Für verstärkte Verpackungen siehe Innenseite des Umschlags.

Seitliche Rückenlehne

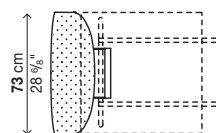
Art.-Nr.	Bezug											kolli	m ²	Kg			
	A	B	C	D	E	F	G	H	L1	L2	L3						
04TEN01SL															1	0,2	8,5

Seitliche Rückenlehne mit Kopfstütze

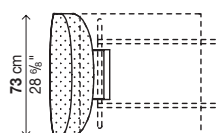
Art.-Nr.	Bezug											kolli	m ²	Kg			
	A	B	C	D	E	F	G	H	L1	L2	L3						
04TEN02SLP															1	0,3	12,5

Optionen

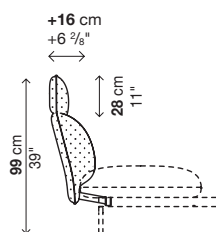
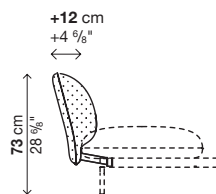
Art.-Nr.	Beschreibung	kolli	m ²	Kg
04TEN01SL	Feuerfest	-	-	-
04TEN01SLP	Feuerfest	-	-	-



04TEN01SL



04TEN01SLP



TENSO SOFA SYSTEM

Beistelltisch

Ausführung der Platte:

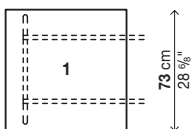
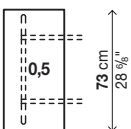
Fenix-NTM® Schwarz Ingo 0720 (Stärke mm 10)

Fenix-NTM® mit Farbiger Kante (Weiß Kos 0032, Grau London 0718) (Stärke mm 10)

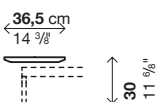
Stein "Pietra di Fossena" (Stärke mm 20)

Beistelltisch

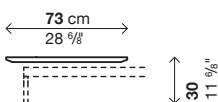
Art.-Nr.	Größe (L x T)	Platte		koll. m³	Kg
		Fenix-NTM®	Stein "Pietra di Fossena"		
04TEN01PI	36,5 x 73			1	0,08 20
04TEN02PI	73 x 73			1	0,12 40



04TEN01PI



04TEN02PI



TENSO SOFA SYSTEM

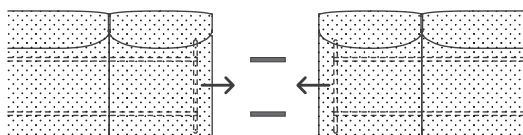
Verbindungselemente

Ausführung:

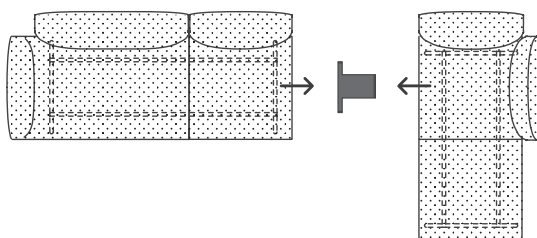
Stahl lackiert im Farbton schwarz

Art.-Nr.	Beschreibung	kolli	m ³	Kg
02AGGTEN01	Linear	2	0,01	0,8
02AGGTEN02	Ecke	2	0,01	2,5

02AGGTEN01



02AGGTEN02



TENSO SOFA SYSTEM

Universale Kissen

Ausführung des Bezugs:

- A = Valencia (Synthetische Leder)
- B = Field 2, COM (Kundenstoff)
- C = Merit, COL (Kundenleder)
- D = Clara 2, Patio, Regal, Remix 2
- E = Curmi, Hero, Melange Nap
- F = Canvas 2, Scuba, Steelcut Trio 3
- G = Divina Melange 3, Hallingdal 65
- H = Twill Weave
- L1 = Coast (Nubukleder)
- L2 = Elmosoft (Semianilinleder)
- L3 = Elmotique (Anilinleder)

Anmerkung:

ABZIEHBAR:
Der Bezug in den Stoff- und Lederversionen ist abziehbar.

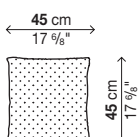
Für Informationen zur Zusammensetzung der Stoffe siehe Innenseite des Umschlags.

Für Aufträge mit COM/COL siehe Innenseite des Umschlags.

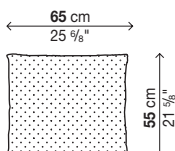
Verbrauch Kissen 45 x 45:
COM: 0,6 ml (H. 140 cm).
COL: 0,8 mq.
Verbrauch cKissen 65 x 55:
COM: 0,7 ml (H. 140 cm).
COL: 1 mq.
Verbrauch Kissen 75 x 40:
COM: 1 ml (H. 140 cm).
COL: 1,3 mq.

Art.-Nr.	Größe	Bezug											kolli	m ²	Kg		
		A	B	C	D	E	F	G	H	L1	L2	L3					
20CUS01	Kissen 45 x 45														1	0,02	1
20CUS02	Kissen 65 x 55														1	0,02	1
20CUS03	Kissen 75 x 40														1	0,02	1

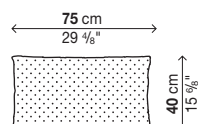
20CUS01



20CUS02



20CUS03



TENSO SOFA SYSTEM

Beispiele - Zweisitzer-Sofa

Ausführung Fuß:

Schwarz lackierter Stahl (farbähnlich wie RAL 9004)

Glänzend verchromter Stahl

Schwarz verchromt Stahl

Ausführung des Bezugs:

A = Valencia (Synthetische Leder)

B = Field 2, COM (Kundenstoff)

C = Merit, COL (Kundenleder)

D = Clara 2, Patio, Regal, Remix 2

E = Curmi, Hero, Melange Nap

F = Canvas 2, Scuba, Steelcut Trio 3

G = Divina Melange 3, Hallingdal 65

H = Twill Weave

L1 = Coast (Nubukleder)

L2 = Elmosoft (Semianilinleder)

L3 = Elmotique (Anilinleder)

Anmerkung:

ABZIEHBAR:

Abziehbare Bezüge (*): FIELD 2, COM, CLARA 2, MERIT, CURMI, PATIO, REMIX 2, CANVAS 2, HERO, MELANGE NAP, STEELCUT TRIO 3, DIVINA MELANGE 3, HALLINGDAL 65, REGAL, TWILL WEAVE.

Fixe Bezüge: VALENCIA, COL, SCUBA, COAST, ELMOSOFT, ELMOTIQUE.

(*) Der Bezug ist TECHNISCH GESEHEN ABZIEHBAR, um seinen perfekten Sitz zu garantieren, sollte er jedoch ausschließlich von Fachkräften des Polsterhandwerks aufgezogen werden.

Für Informationen zur Zusammensetzung der Stoffe siehe Innenseite des Umschlags.

Für Aufträge mit COM/COL siehe Innenseite des Umschlags.

Verbrauch Rückenlehnes ohne Kopfstütze:

COM: 9,8 ml (H. 140 cm).

COL: 13,8 mq.

Verbrauch Rückenlehnes mit Kopfstütze:

COM: 10,2 ml (H. 140 cm).

COL: 15,6 mq.

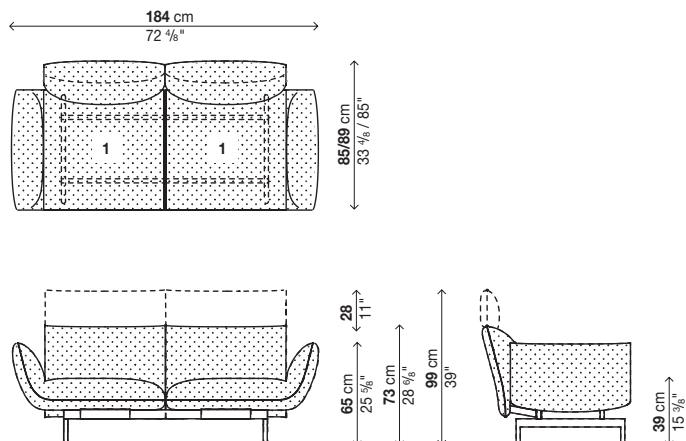
Für verstärkte Verpackungen siehe Innenseite des Umschlags.

Rückenlehnes ohne Kopfstütze

Art.-Nr.	Fuß	Bezug											kolli	m ³	Kg		
		A	B	C	D	E	F	G	H	L1	L2	L3					
T1	Schwarz lackiert																
	Glänzend verchromter, Schwarz verchromt																5 1,5 59

Rückenlehnes mit Kopfstütze

Art.-Nr.	Fuß	Bezug											kolli	m ³	Kg		
		A	B	C	D	E	F	G	H	L1	L2	L3					
T2	Schwarz lackiert																
	Glänzend verchromter, Schwarz verchromt																5 1,6 66



TENSO SOFA SYSTEM

Beispiele - Dreisitzer-Sofa

Ausführung Fuß:

Schwarz lackierter Stahl (farbähnlich wie RAL 9004)
Glänzend verchromter Stahl
Schwarz verchromt Stahl

Ausführung des Bezugs:

A = Valencia (Synthetische Leder)
B = Field 2, COM (Kundenstoff)
C = Merit, COL (Kundenleder)
D = Clara 2, Patio, Regal, Remix 2
E = Curmi, Hero, Melange Nap
F = Canvas 2, Scuba, Steelcut Trio 3
G = Divina Melange 3, Hallingdal 65
H = Twill Weave
L1 = Coast (Nubukleder)
L2 = Elmosoft (Semianilinleder)
L3 = Elmotique (Anilinleder)

Anmerkung:

ABZIEHBAR:
Abziehbare Bezüge (*): FIELD 2, COM, CLARA 2, MERIT, CURMI, PATIO, REMIX 2, CANVAS 2, HERO, MELANGE NAP, STEELCUT TRIO 3, DIVINA MELANGE 3, HALLINGDAL 65, REGAL, TWILL WEAVE.
Fixe Bezüge: VALENCIA, COL, SCUBA, COAST, ELMOSOFT, ELMOTIQUE.
(* Der Bezug ist TECHNISCH GESEHEN ABZIEHBAR, um seinen perfekten Sitz zu garantieren, sollte er jedoch ausschließlich von Fachkräften des Polsterhandwerks aufgezogen werden.

Für Informationen zur Zusammensetzung der Stoffe siehe Innenseite des Umschlags.

Für Aufträge mit COM/COL siehe Innenseite des Umschlags.

Verbrauch Rückenlehnes ohne Kopfstütze:

COM: 9,8 ml (H. 140 cm).

COL: 16,4 mq.

Verbrauch Rückenlehnes mit Kopfstütze:

COM: 10,2 ml (H. 140 cm).

COL: 18,4 mq.

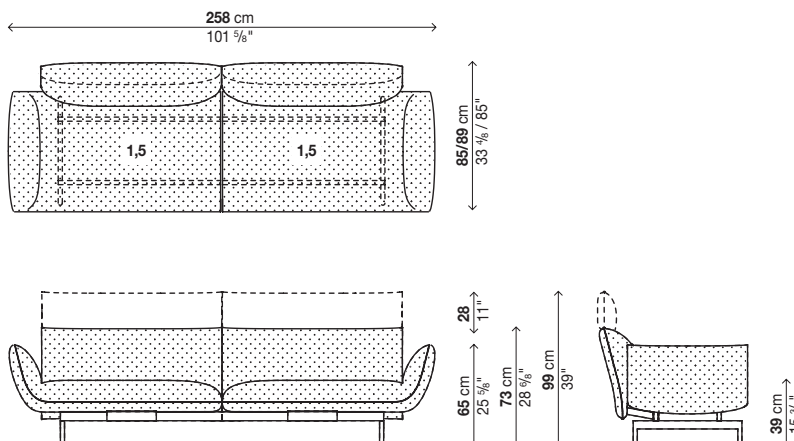
Für verstärkte Verpackungen siehe Innenseite des Umschlags.

Rückenlehnes ohne Kopfstütze

Art.-Nr.	Fuß	Bezug											kolli	m ³	Kg		
		A	B	C	D	E	F	G	H	L1	L2	L3					
T3	Schwarz lackiert																
	Glänzend verchromter, Schwarz verchromt																5 2,2 79

Rückenlehnes mit Kopfstütze

Art.-Nr.	Fuß	Bezug											kolli	m ³	Kg		
		A	B	C	D	E	F	G	H	L1	L2	L3					
T4	Schwarz lackiert																
	Glänzend verchromter, Schwarz verchromt																5 2,2 87,5



TENSO SOFA SYSTEM

Beispiele - Sofa mit Chaiselongue rt/lk

Ausführung Fuß:

Schwarz lackierter Stahl (farbähnlich wie RAL 9004)
Glänzend verchromter Stahl
Schwarz verchromt Stahl

Ausführung des Bezugs:

A = Valencia (Synthetische Leder)
B = Field 2, COM (Kundenstoff)
C = Merit, COL (Kundenleder)
D = Clara 2, Patio, Regal, Remix 2
E = Curmi, Hero, Melange Nap
F = Canvas 2, Scuba, Steelcut Trio 3
G = Divina Melange 3, Hallingdal 65
H = Twill Weave
L1 = Coast (Nubukleder)
L2 = Elmosoft (Semianilinleder)
L3 = Elmotique (Anilinleder)

Anmerkung:

ABZIEHBAR:
Abziehbare Bezüge (*): FIELD 2, COM, CLARA 2, MERIT, CURMI, PATIO, REMIX 2, CANVAS 2, HERO, MELANGE NAP, STEELCUT TRIO 3, DIVINA MELANGE 3, HALLINGDAL 65, REGAL, TWILL WEAVE.
Fixe Bezüge: VALENCIA, COL, SCUBA, COAST, ELMOSOFT, ELMOTIQUE.
(* Der Bezug ist TECHNISCH GESEHEN ABZIEHBAR, um seinen perfekten Sitz zu garantieren, sollte er jedoch ausschließlich von Fachkräften des Polsterhandwerks aufgezogen werden.

Für Informationen zur Zusammensetzung der Stoffe siehe Innenseite des Umschlags.

Für Aufträge mit COM/COL siehe Innenseite des Umschlags.

Verbrauch Rückenlehnes ohne Kopfstütze:
COM: 14,7 ml (H. 140 cm).
COL: 22,4 mq.
Verbrauch Rückenlehnes mit Kopfstütze:
COM: 15,6 ml (H. 140 cm).
COL: 25,2 mq.

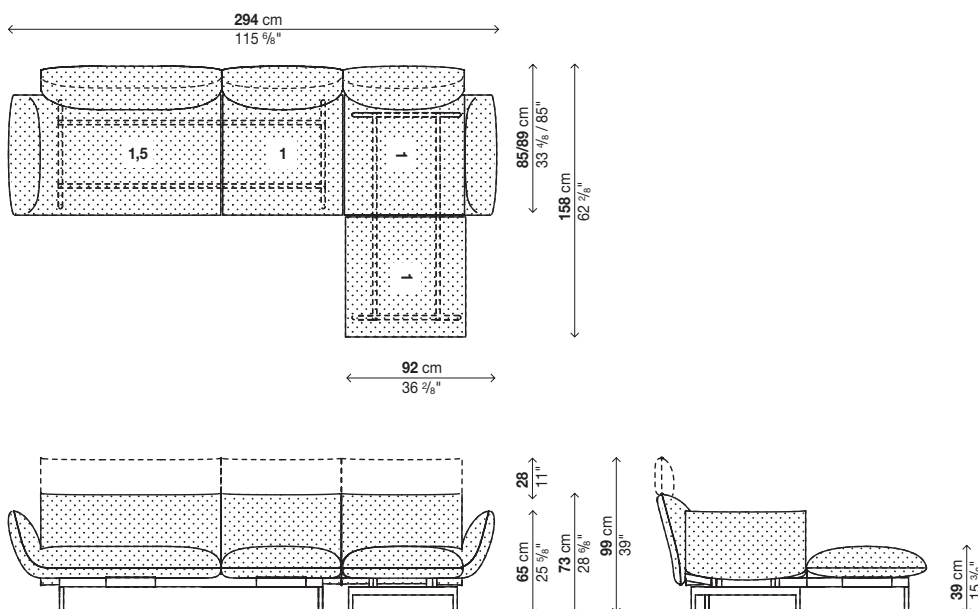
Für verstärkte Verpackungen siehe Innenseite des Umschlags.

Rückenlehnes ohne Kopfstütze

Art.-Nr.	Fuß	Bezug											kolli	m ²	Kg		
		A	B	C	D	E	F	G	H	L1	L2	L3					
T5	Schwarz lackiert																
	Glänzend verchromter, Schwarz verchromt																10 2,75 115

Rückenlehnes mit Kopfstütze

Art.-Nr.	Fuß	Bezug											kolli	m ²	Kg		
		A	B	C	D	E	F	G	H	L1	L2	L3					
T6	Schwarz lackiert																
	Glänzend verchromter, Schwarz verchromt																10 3 127



TENSO SOFA SYSTEM

Beispiele - Ecksofa rt/lk

Ausführung Fuß:

Schwarz lackierter Stahl (farbähnlich wie RAL 9004)
Glänzend verchromter Stahl
Schwarz verchromt Stahl

Ausführung des Bezugs:

A = Valencia (Synthetische Leder)
B = Field 2, COM (Kundenstoff)
C = Merit, COL (Kundenleder)
D = Clara 2, Patio, Regal, Remix 2
E = Curmi, Hero, Melange Nap
F = Canvas 2, Scuba, Steelcut Trio 3
G = Divina Melange 3, Hallingdal 65
H = Twill Weave
L1 = Coast (Nubukleder)
L2 = Elmosoft (Semianilinleder)
L3 = Elmotique (Anilinleder)

Ausführung der Platte:

Fenix-NTM® Schwarz Ingo 0720 (Stärke mm 10)
Fenix-NTM® mit farbiger Kante (Weiß Kos 0032, Grau London 0718) (Stärke mm 10)

Anmerkung:

ABZIEHBAR:
Abziehbare Bezüge (*): FIELD 2, COM, CLARA 2, MERIT, CURMI, PATIO, REMIX 2, CANVAS 2, HERO, MELANGE NAP, STEELCUT TRIO 3, DIVINA MELANGE 3, HALLINGDAL 65, REGAL, TWILL WEAVE.
Fixe Bezüge: VALENCIA, COL, SCUBA, COAST, ELMOSOFT, ELMOTIQUE.
(* Der Bezug ist TECHNISCH GESEHEN ABZIEHBAR, um seinen perfekten Sitz zu garantieren, sollte er jedoch ausschließlich von Fachkräften des Polsterhandwerks aufgezogen werden.

Für Informationen zur Zusammensetzung der Stoffe siehe Innenseite des Umschlags.

Für Aufträge mit COM/COL siehe Innenseite des Umschlags.

Verbrauch Rückenlehnes ohne Kopfstütze:

COM: 11,9 ml (H. 140 cm).

COL: 18,9 mq.

Verbrauch Rückenlehnes mit Kopfstütze:

COM: 12,5 ml (H. 140 cm).

COL: 21,8 mq.

Achtung: In der Zusammenstellung ist die Platte des Beistelltischs aus Fenix-NTM® vorgesehen. Für eine Platte aus Stein "Pietra di Fossena" ist ein Aufpreis von - € zu berücksichtigen.

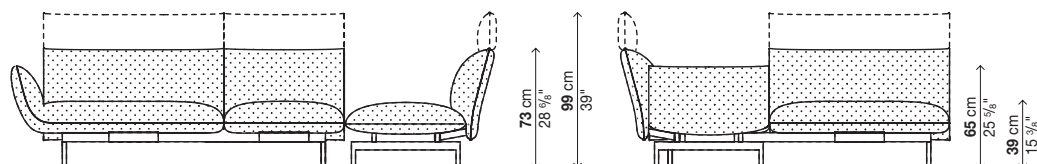
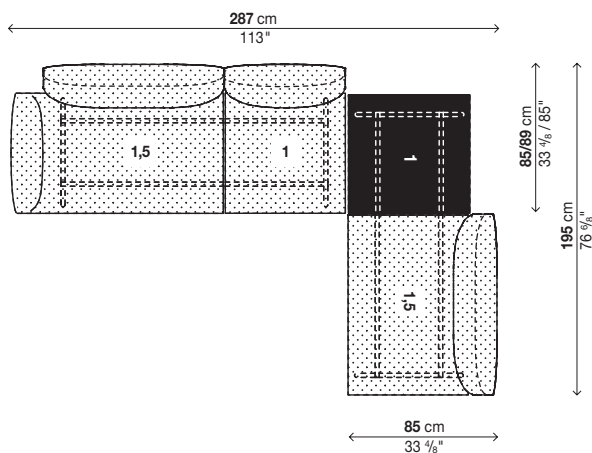
Für verstärkte Verpackungen siehe Innenseite des Umschlags.

Rückenlehnes ohne Kopfstütze

Art.-Nr.	Fuß	Bezug											kolli	m ³	Kg				
		A	B	C	D	E	F	G	H	L1	L2	L3							
T7	Schwarz lackiert																10	2,83	118
	Glänzend verchromter, Schwarz verchromt																		

Rückenlehnes mit Kopfstütze

Art.-Nr.	Fuß	Bezug											kolli	m ³	Kg				
		A	B	C	D	E	F	G	H	L1	L2	L3							
T8	Schwarz lackiert																10	3,08	131
	Glänzend verchromter, Schwarz verchromt																		



TENSO SOFA SYSTEM

Beispiele - Gerade sofa rt/lk

Ausführung Fuß:

Schwarz lackierter Stahl (farbähnlich wie RAL 9004)

Glänzend verchromter Stahl

Schwarz verchromt Stahl

Ausführung des Bezugs:

A = Valencia (Synthetische Leder)

B = Field 2, COM (Kundenstoff)

C = Merit, COL (Kundenleder)

D = Clara 2, Patio, Regal, Remix 2

E = Curmi, Hero, Melange Nap

F = Canvas 2, Scuba, Steelcut Trio 3

G = Divina Melange 3, Hallingdal 65

H = Twill Weave

L1 = Coast (Nubukleder)

L2 = Elmosoft (Semianilinleder)

L3 = Elmotique (Anilinleder)

Ausführung der Platte:

Fenix-NTM® Schwarz Ingo 0720 (Stärke mm 10)

Fenix-NTM® mit farbiger Kante (Weiß Kos 0032, Grau London 0718) (Stärke mm 10)

Anmerkung:

ABZIEHBAR:

Abziehbare Bezüge (*): FIELD 2, COM, CLARA 2, MERIT, CURMI, PATIO, REMIX 2, CANVAS 2, HERO, MELANGE NAP, STEELCUT TRIO 3, DIVINA MELANGE 3, HALLINGDAL 65, REGAL, TWILL WEAVE.

Fixe Bezüge: VALENCIA, COL, SCUBA, COAST, ELMOSOFT, ELMOTIQUE.

(*) Der Bezug ist TECHNISCH GESEHEN ABZIEHBAR, um seinen perfekten Sitz zu garantieren, sollte er jedoch ausschließlich von Fachkräften des Polsterhandwerks aufgezogen werden.

Für Informationen zur Zusammensetzung der Stoffe siehe Innenseite des Umschlags.

Für Aufträge mit COM/COL siehe Innenseite des Umschlags.

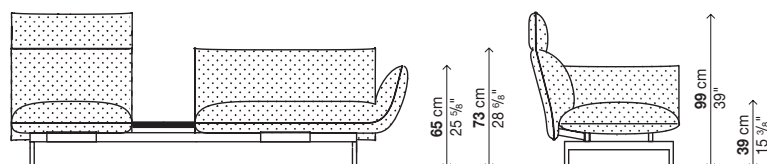
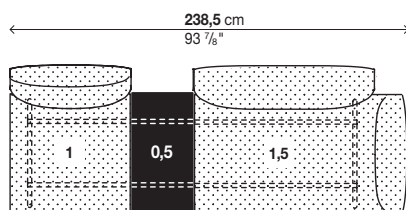
Verbrauch COM: 8,6 ml (H. 140 cm).

Verbrauch COL: 14 mq.

Achtung: In der Zusammenstellung ist die Platte des Beistelltischs aus Fenix-NTM® vorgesehen. Für eine Platte aus Stein "Pietra di Fossena" ist ein Aufpreis von - € zu berücksichtigen.

Für verstärkte Verpackungen siehe Innenseite des Umschlags.

Art.-Nr.	Fuß	Bezug											kolli	m³	Kg		
		A	B	C	D	E	F	G	H	L1	L2	L3					
T9	Schwarz lackiert																
	Glänzend verchromter, Schwarz verchromt																6 1,88 90



TENSO SOFA SYSTEM

Beispiele - Loungestuhl rt/lk

Ausführung Fuß:

Schwarz lackierter Stahl (farbähnlich wie RAL 9004)
Glänzend verchromter Stahl
Schwarz verchromt Stahl

Ausführung des Bezugs:

A = Valencia (Synthetische Leder)
B = Field 2, COM (Kundenstoff)
C = Merit, COL (Kundenleder)
D = Clara 2, Patio, Regal, Remix 2
E = Curmi, Hero, Melange Nap
F = Canvas 2, Scuba, Steelcut Trio 3
G = Divina Melange 3, Hallingdal 65
H = Twill Weave
L1 = Coast (Nubukleder)
L2 = Elmosoft (Semianilinleder)
L3 = Elmotique (Anilinleder)

Ausführung der Platte:

Fenix-NTM® Schwarz Ingo 0720 (Stärke mm 10)
Fenix-NTM® mit farbiger Kante (Weiß Kos 0032, Grau London 0718) (Stärke mm 10)

Anmerkung:

ABZIEHBAR:
Abziehbare Bezüge (*): FIELD 2, COM, CLARA 2, MERIT, CURMI, PATIO, REMIX 2, CANVAS 2, HERO, MELANGE NAP, STEELCUT TRIO 3, DIVINA MELANGE 3, HALLINGDAL 65, REGAL, TWILL WEAVE.
Fixe Bezüge: VALENCIA, COL, SCUBA, COAST, ELMOSOFT, ELMOTIQUE.
(* Der Bezug ist TECHNISCH GESEHEN ABZIEHBAR, um seinen perfekten Sitz zu garantieren, sollte er jedoch ausschließlich von Fachkräften des Polsterhandwerks aufgezogen werden.

Für Informationen zur Zusammensetzung der Stoffe siehe Innenseite des Umschlags.

Für Aufträge mit COM/COL siehe Innenseite des Umschlags.

Verbrauch Rückenlehnes ohne Kopfstütze:
COM: 3,5 ml (H. 140 cm).
COL: 4,9 mq.
Verbrauch Rückenlehnes mit Kopfstütze:
COM: 3,7 ml (H. 140 cm).
COL: 5,8 mq.

Achtung: In der Zusammenstellung ist die Platte des Beistelltisches aus Fenix-NTM® vorgesehen. Für eine Platte aus Stein "Pietra di Fossena" ist ein Aufpreis von - € zu berücksichtigen.

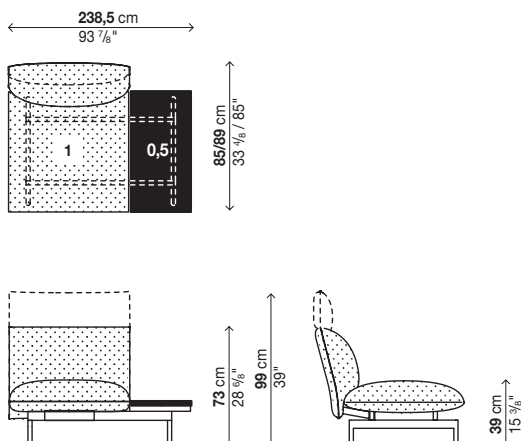
Für verstärkte Verpackungen siehe Innenseite des Umschlags.

Rückenlehnes ohne Kopfstütze

Art.-Nr.	Fuß	Bezug											kolli	m³	Kg		
		A	B	C	D	E	F	G	H	L1	L2	L3					
T10	Schwarz lackiert																
	Glänzend verchromter, Schwarz verchromt																4 0,73 48

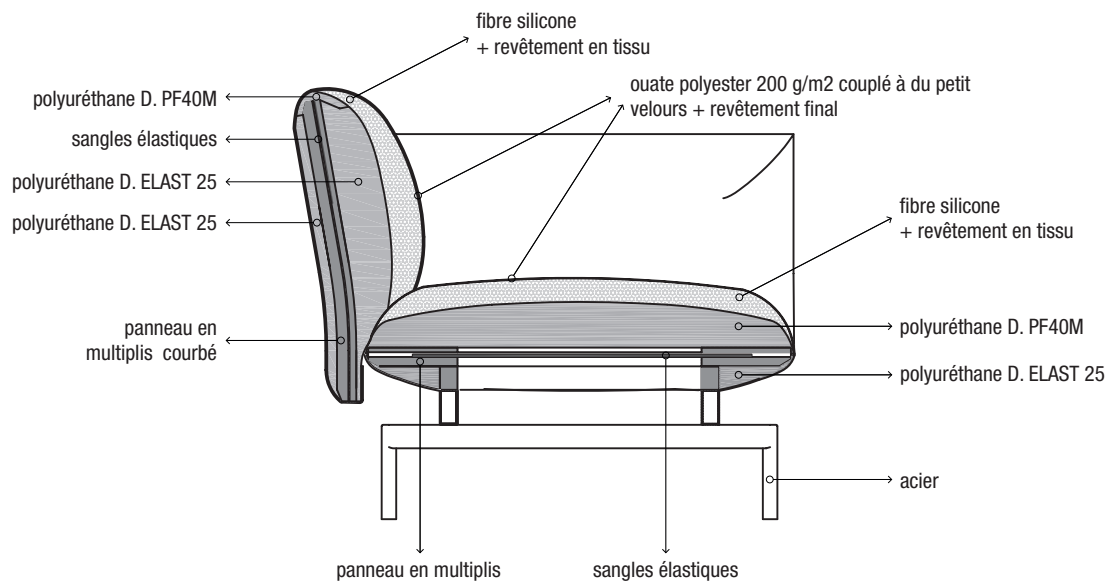
Rückenlehnes mit Kopfstütze

Art.-Nr.	Fuß	Bezug											kolli	m³	Kg		
		A	B	C	D	E	F	G	H	L1	L2	L3					
T11	Schwarz lackiert																
	Glänzend verchromter, Schwarz verchromt																4 0,78 51,5

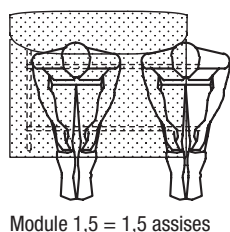
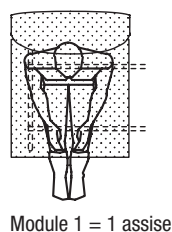
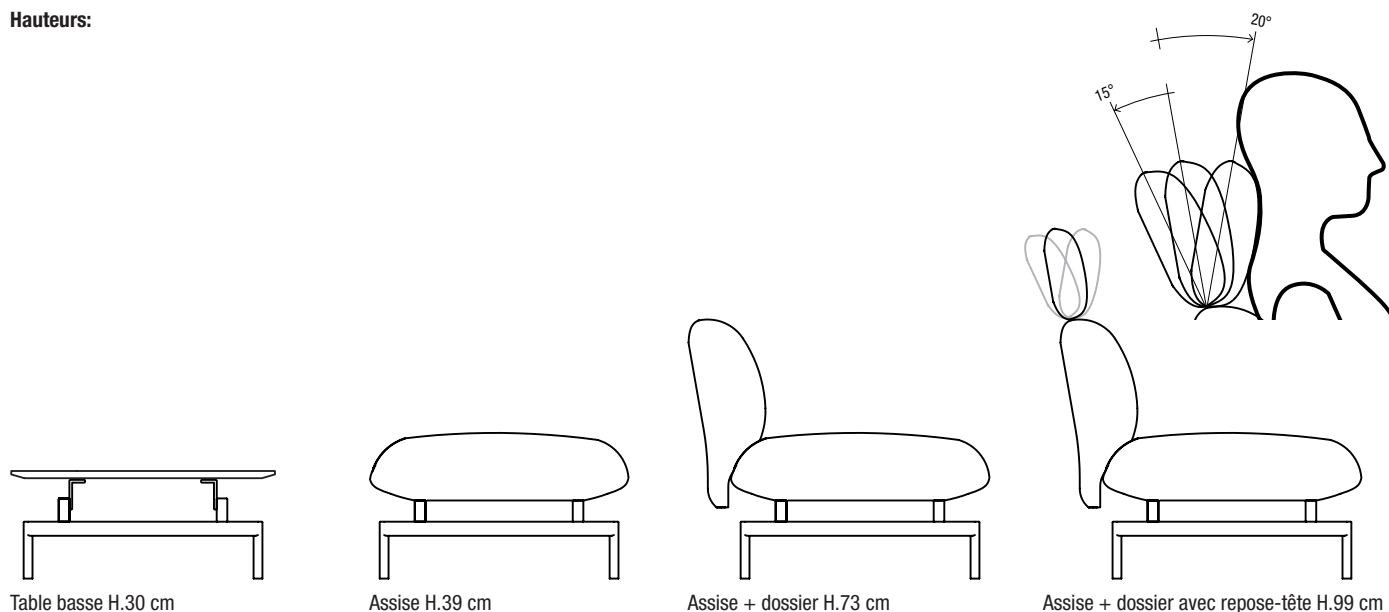


TENSO SOFA SYSTEM

Info

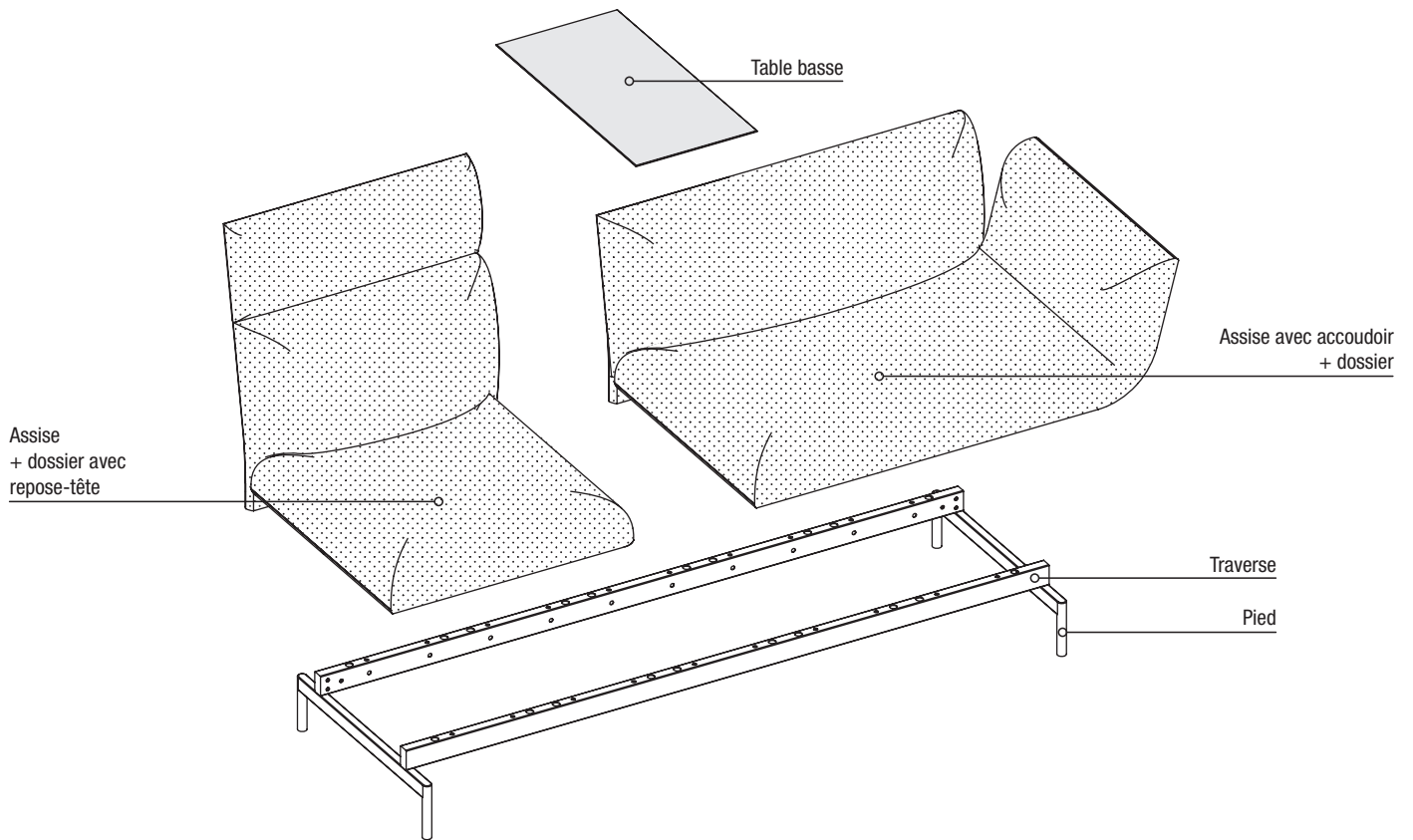


Hauteurs:

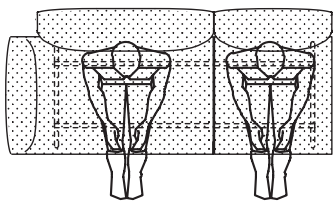


TENSO SOFA SYSTEM

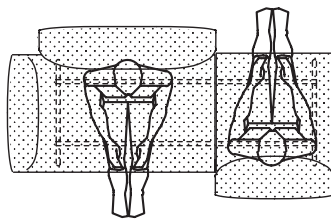
Info



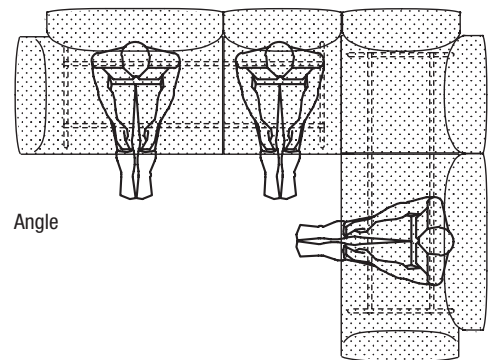
Compositions:



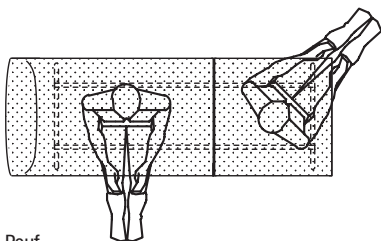
Linéaire



Linéaire double-face



Angle



Pouf

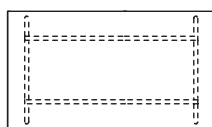


Table basse

TENSO SOFA SYSTEM

Structure

Finitura pieds:

Acier laqué noir (semblable à la teinte RAL 9004)

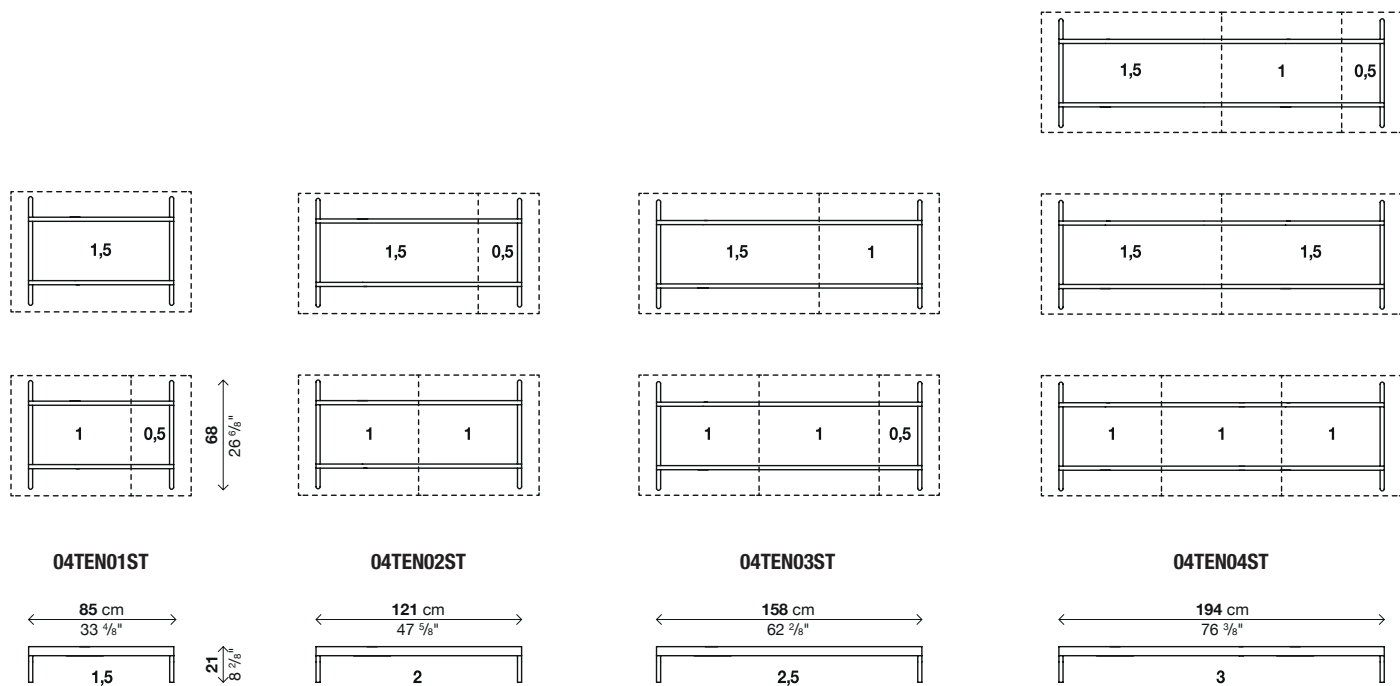
Acier chromé

Acier chromé noir

Finition des traverses:

Acier laqué noir (semblable à la teinte RAL 9004)

Code	Dimensions (L x P x H)	Pieds		colis	m ³	Kg
		Laqué noir	Chromé, Chromé noir			
04TEN01ST	85 x 68 x 21 (1,5)			1	0,3	10
04TEN02ST	121 x 68 x 21 (2)			1	0,4	13
04TEN03ST	158 x 68 x 21 (2,5)			1	0,5	16
04TEN04ST	194 x 68 x 21 (3)			1	0,65	18,5



TENSO SOFA SYSTEM

Assise

Finition du revêtement:

- A = Valencia (cuir synthétique)
- B = Field 2, COM (tissu Client)
- C = Merit, COL (cuir du Client)
- D = Clara 2, Patio, Regal, Remix 2
- E = Curmi, Hero, Melange Nap
- F = Canvas 2, Scuba, Steelcut Trio 3
- G = Divina Melange 3, Hallingdal 65
- H = Twill Weave
- L1 = Coast (cuir fleur corrigé)
- L2 = Elmosoft (cuir semi-aniline)
- L3 = Elmotique (cuir aniline)

Notes:

DÉHOUSSABILITÉ:
 Revêtements déhoussables (*): FIELD 2, COM, CLARA 2, MERIT, CURMI, PATIO, REMIX 2, CANVAS 2, HERO, MELANGE NAP, STEELCUT TRIO 3, DIVINA MELANGE 3, HALLINGDAL 65, REGAL, TWILL WEAVE.
 Revêtements fixes: VALENCIA, COL, SCUBA, COAST, ELMOSOFT, ELMOTIQUE.
 (*) Le revêtement est TECHNIQUEMENT DÉHOUSSABLE. Toutefois, afin de garantir une parfaite adhérence, il devra être remis par un personnel spécialisé en tissus d'ameublement ou par un tapissier.

Pour toute information sur les compositions des tissus, voir intérieur de la couverture.

Pour les commandes COM/COL, voir intérieur de la couverture.

Consommation assise:
 73 cm COM: 1,7 ml (H. 140 cm). - COL: 2,4 mq.
 110 cm COM: 1,7 ml (H. 140 cm). - COL: 2,8 mq.
 Consommation assise avec accoudoirs:
 92 cm COM: 3,1 ml (H. 140 cm). - COL: 4,4 mq.
 129 cm COM: 3,1 ml (H. 140 cm). - COL: 5,2 mq.

Emballages renforcés, voir intérieur de la couverture.

Assise

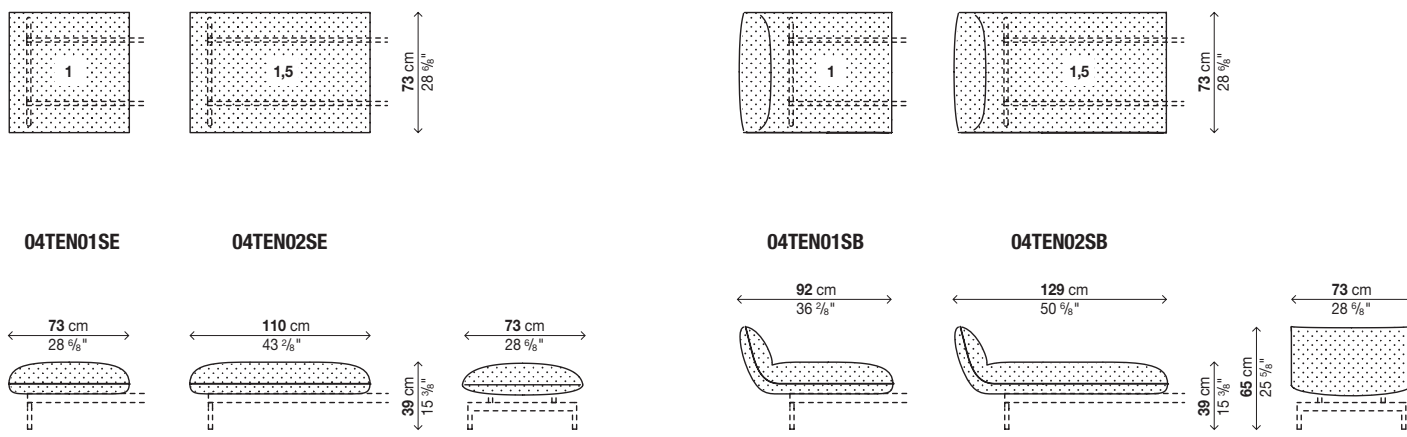
Code	Longueur	Revêtement											colis	m ³	Kg			
		A	B	C	D	E	F	G	H	L1	L2	L3						
04TEN01SE	73 (1)															1	0,15	11
04TEN02SE	110 (1,5)															1	0,25	16

Assise avec accoudoir

Code	Longueur	Revêtement											colis	m ³	Kg			
		A	B	C	D	E	F	G	H	L1	L2	L3						
04TEN01SB	92 (1)															1	0,35	16
04TEN02SB	129 (1,5)															1	0,5	21

Optionals

Code	Description	colis	m ³	Kg
04TEN01SE	Ignifuge	-	-	-
04TEN02SE	Ignifuge	-	-	-
04TEN01SB	Ignifuge	-	-	-
04TEN02SB	Ignifuge	-	-	-



TENSO SOFA SYSTEM

Assise + dossier

Finition du revêtement:

- A = Valencia (cuir synthétique)
- B = Field 2, COM (tissu Client)
- C = Merit, COL (cuir du Client)
- D = Clara 2, Patio, Regal, Remix 2
- E = Curmi, Hero, Melange Nap
- F = Canvas 2, Scuba, Steelcut Trio 3
- G = Divina Melange 3, Hallingdal 65
- H = Twill Weave
- L1 = Coast (cuir fleur corrigé)
- L2 = Elmosoft (cuir semi-aniline)
- L3 = Elmotique (cuir aniline)

Notes:

DÉHOUSSABILITÉ:

Revêtements déhoussables (*): FIELD 2, COM, CLARA 2, MERIT, CURMI, PATIO, REMIX 2, CANVAS 2, HERO, MELANGE NAP, STEELCUT TRIO 3, DIVINA MELANGE 3, HALLINGDAL 65, REGAL, TWILL WEAVE.
 Revêtements fixes: VALENCIA, COL, SCUBA, COAST, ELMOFOFT, ELMOTIQUE.

(* Le revêtement est TECHNIQUEMENT DÉHOUSSABLE. Toutefois, afin de garantir une parfaite adhérence, il devra être remis par un personnel spécialisé en tissus d'ameublement ou par un tapissier.

Pour toute information sur les compositions des tissus, voir intérieur de la couverture.

Pour les commandes COM/COL, voir intérieur de la couverture.

Consommation assise + dossier:

73 cm COM: 3,5 ml (H. 140 cm). - COL: 4,9 mq.

110 cm COM: 3,5 ml (H. 140 cm). - COL: 5,8 mq.

Consommation assise avec accoudoirs + dossier:

92 cm COM: 4,9 ml (H. 140 cm). - COL: 6,9 mq.

129 cm COM: 4,9 ml (H. 140 cm). - COL: 8,2 mq.

Emballages renforcés, voir intérieur de la couverture.

Assise + dossier

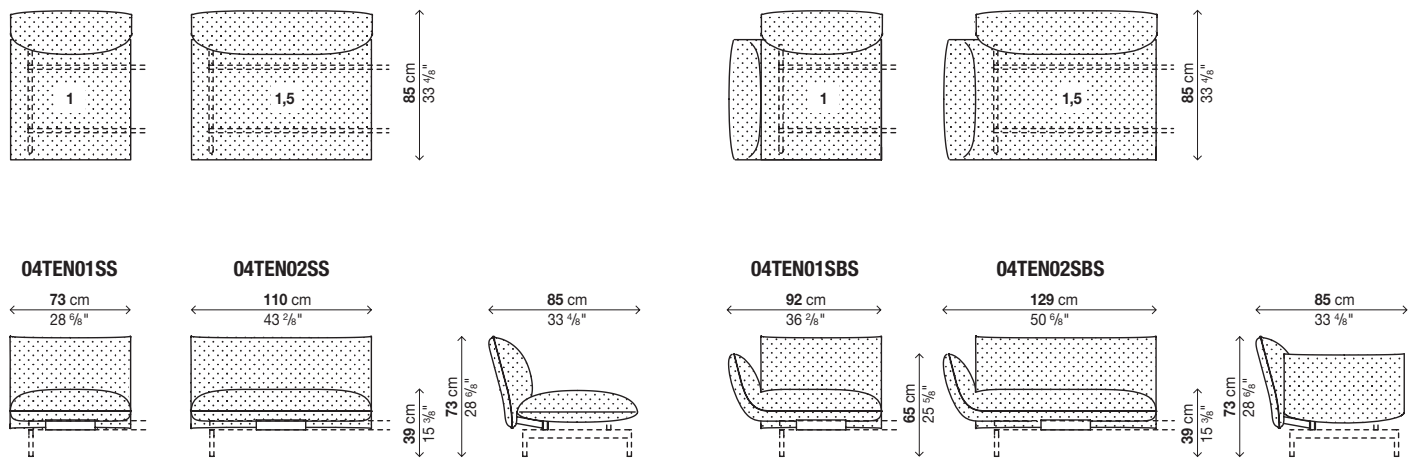
Code	Longueur	Revêtement											colis	m ²	Kg			
		A	B	C	D	E	F	G	H	L1	L2	L3						
04TEN01SS	73 (1)															2	0,35	18
04TEN02SS	110 (1,5)															2	0,55	25

Assise avec accoudoir + dossier

Code	Longueur	Revêtement											colis	m ²	Kg			
		A	B	C	D	E	F	G	H	L1	L2	L3						
04TEN01SBS	92 (1)															2	0,35	23
04TEN02SBS	129 (1,5)															2	0,5	30

Optionals

Code	Description	colis	m ²	Kg
04TEN01SS	Ignifuge	-	-	-
04TEN02SS	Ignifuge	-	-	-
04TEN01SBS	Ignifuge	-	-	-
04TEN02SBS	Ignifuge	-	-	-



TENSO SOFA SYSTEM

Assise + dossier avec repose-tête

Finition du revêtement:

- A = Valencia (cuir synthétique)
- B = Field 2, COM (tissu Client)
- C = Merit, COL (cuir du Client)
- D = Clara 2, Patio, Regal, Remix 2
- E = Curmi, Hero, Melange Nap
- F = Canvas 2, Scuba, Steelcut Trio 3
- G = Divina Melange 3, Hallingdal 65
- H = Twill Weave
- L1 = Coast (cuir fleur corrigé)
- L2 = Elmosoft (cuir semi-aniline)
- L3 = Elmotique (cuir aniline)

Notes:

DÉHOUSSABILITÉ:

Revêtements déhoussables (*): FIELD 2, COM, CLARA 2, MERIT, CURMI, PATIO, REMIX 2, CANVAS 2, HERO, MELANGE NAP, STEELCUT TRIO 3, DIVINA MELANGE 3, HALLINGDAL 65, REGAL, TWILL WEAVE.
 Revêtements fixes: VALENCIA, COL, SCUBA, COAST, ELMOSOFT, ELMOTIQUE.

(*) Le revêtement est TECHNIQUEMENT DÉHOUSSABLE. Toutefois, afin de garantir une parfaite adhérence, il devra être remis par un personnel spécialisé en tissus d'ameublement ou par un tapissier.

Pour toute information sur les compositions des tissus, voir intérieur de la couverture.

Pour les commandes COM/COL, voir intérieur de la couverture.

Consommation assise + dossier avec repose-tête:

73 cm COM: 3,7 ml (H. 140 cm). - COL: 5,8 mq.

110 cm COM: 3,7 ml (H. 140 cm). - COL: 6,8 mq.

Consommation assise avec accoudoirs + dossier avec repose-tête:

92 cm COM: 5,1 ml (H. 140 cm). - COL: 7,8 mq.

129 cm COM: 5,1 ml (H. 140 cm). - COL: 9,2 mq.

Emballages renforcés, voir intérieur de la couverture.

Assise + dossier avec repose-tête

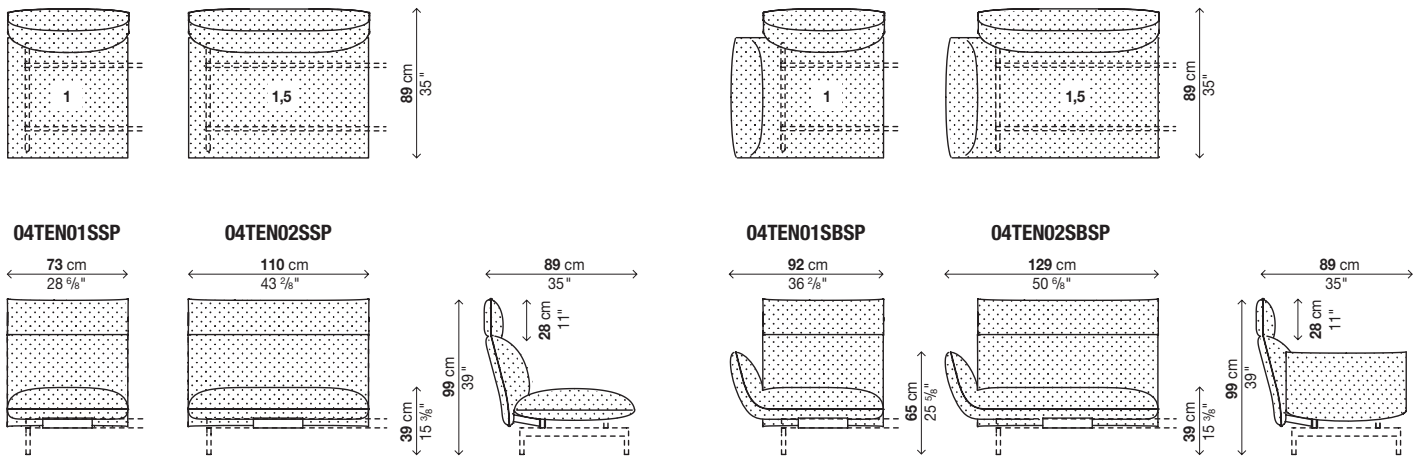
Code	Longueur	Revêtement											colis	m ²	Kg			
		A	B	C	D	E	F	G	H	L1	L2	L3						
04TEN01SSP	73 (1)															2	0,4	21,5
04TEN02SSP	110 (1,5)															2	0,65	29,5

Assise avec accoudoir + dossier avec repose-tête

Code	Longueur	Revêtement											colis	m ²	Kg			
		A	B	C	D	E	F	G	H	L1	L2	L3						
04TEN01SBSP	92 (1)															2	0,6	26,5
04TEN02SBSP	129 (1,5)															2	0,9	34,5

Optionals

Code	Description	colis	m ²	Kg
04TEN01SSP	Ignifuge	-	-	-
04TEN02SSP	Ignifuge	-	-	-
04TEN01SBSP	Ignifuge	-	-	-
04TEN02SBSP	Ignifuge	-	-	-



TENSO SOFA SYSTEM

Dossier latérale

Finition du revêtement:

- A = Valencia (cuir synthétique)
- B = Field 2, COM (tissu Client)
- C = Merit, COL (cuir du Client)
- D = Clara 2, Patio, Regal, Remix 2
- E = Curmi, Hero, Melange Nap
- F = Canvas 2, Scuba, Steelcut Trio 3
- G = Divina Melange 3, Hallingdal 65
- H = Twill Weave
- L1 = Coast (cuir fleur corrigé)
- L2 = Elmosoft (cuir semi-aniline)
- L3 = Elmotique (cuir aniline)

Notes:

DÉHOUSSABILITÉ:

Revêtements déhoussables (*): FIELD 2, COM, CLARA 2, MERIT, CURMI, PATIO, REMIX 2, CANVAS 2, HERO, MELANGE NAP, STEELCUT TRIO 3, DIVINA MELANGE 3, HALLINGDAL 65, REGAL, TWILL WEAVE.
Revêtements fixes: VALENCIA, COL, SCUBA, COAST, ELMOFOFT, ELMOTIQUE.

(* Le revêtement est TECHNIQUEMENT DÉHOUSSABLE. Toutefois, afin de garantir une parfaite adhérence, il devra être remis par un personnel spécialisé en tissus d'ameublement ou par un tapissier.

Pour toute information sur les compositions des tissus, voir intérieur de la couverture.

Pour les commandes COM/COL, voir intérieur de la couverture.

Consommation dossier latérale:

COM: 1,5 ml (H. 140 cm).

COL: 2,5 mq.

Consommation dossier avec repose-tête:

COM: 2 ml (H. 140 cm).

COL: 3,4 mq.

Emballages renforcés, voir intérieur de la couverture.

Dossier latéral

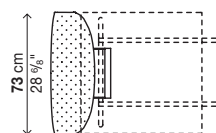
Code	Revêtement											colis	m ²	Kg	
	A	B	C	D	E	F	G	H	L1	L2	L3				
04TEN01SL													1	0,2	8,5

Dossier latéral avec repose-tête

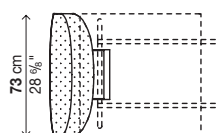
Code	Revêtement											colis	m ²	Kg	
	A	B	C	D	E	F	G	H	L1	L2	L3				
04TEN02SLP													1	0,3	12,5

Optionals

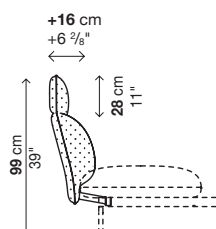
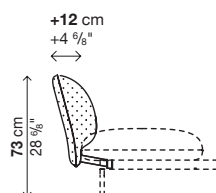
Code	Description	colis	m ²	Kg
04TEN01SL	Ignifuge	-	-	-
04TEN01SLP	Ignifuge	-	-	-



04TEN01SL



04TEN01SLP



TENSO SOFA SYSTEM

Table basse

Finition du plateau:

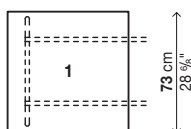
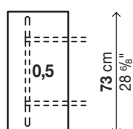
Fenix-NTM® noir Ingo 0720 (Épaisseur 10 mm)

Fenix-NTM® chant coloré (blanc Kos 0032, gris Londres 0718) (Épaisseur 10 mm)

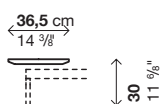
Pierre "Pietra di Fossena" (Épaisseur 20 mm)

Table basse plateau

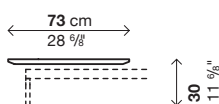
Code	Dimensions (L x P)	Plateau		colis m ³ Kg
		Fenix-NTM®	Pierre "Pietra di Fossena"	
04TEN01PI	36,5 x 73			1 0,08 20
04TEN02PI	73 x 73			1 0,12 40



04TEN01PI



04TEN02PI



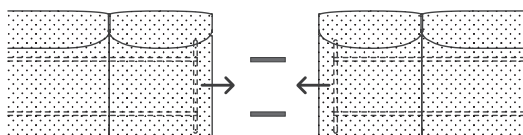
TENSO SOFA SYSTEM

Éléments de jonction

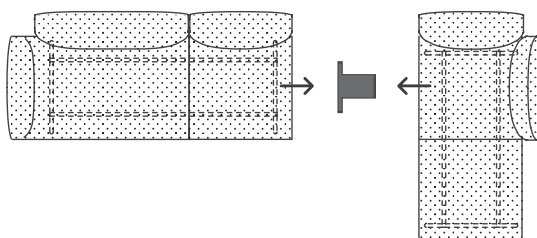
Finition:
Acier laqué noir

Code	Description	colis	m ³	Kg
02AGGTEN01	Linéaire	2	0,01	0,8
02AGGTEN02	D'angle	2	0,01	2,5

02AGGTEN01



02AGGTEN02



TENSO SOFA SYSTEM

Coussins amovibles universels

Finition du revêtement:

- A = Valencia (cuir synthétique)
- B = Field 2, COM (tissu Client)
- C = Merit, COL (cuir du Client)
- D = Clara 2, Patio, Regal, Remix 2
- E = Curmi, Hero, Melange Nap
- F = Canvas 2, Scuba, Steelcut Trio 3
- G = Divina Melange 3, Hallingdal 65
- H = Twill Weave
- L1 = Coast (cuir fleur corrigé)
- L2 = Elmosoft (cuir semi-aniline)
- L3 = Elmotique (cuir aniline)

Notes:

DÉHOUSSABILITÉ:

Pour les versions en tissu et en cuir, le revêtement est déhoussable.

Pour toute information sur les compositions des tissus, voir intérieur de la couverture.

Pour les commandes COM/COL, voir intérieur de la couverture.

Consommation coussin 45 x 45:

COM: 0,6 ml (H. 140 cm).

COL: 0,8 mq.

Consommation coussin 65 x 55:

COM: 0,7 ml (H. 140 cm).

COL: 1 mq.

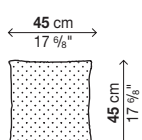
Consommation coussin 75 x 40:

COM: 1 ml (H. 140 cm).

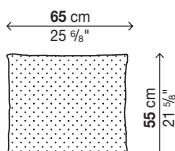
COL: 1,3 mq.

Code	Dimensions	Revêtement											colis m ² Kg						
		A	B	C	D	E	F	G	H	L1	L2	L3							
20CUS01	Coussin 45 x 45																1	0,02	1
20CUS02	Coussin 65 x 55																1	0,02	1
20CUS03	Coussin 75 x 40																1	0,02	1

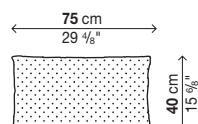
20CUS01



20CUS02



20CUS03



TENSO SOFA SYSTEM

Exemples de composition - Canapé 2 places

Finitura pieds:

Acier laqué noir (semblable à la teinte RAL 9004)

Acier chromé

Acier chromé noir

Finition du revêtement:

A = Valencia (cuir synthétique)

B = Field 2, COM (tissu Client)

C = Merit, COL (cuir du Client)

D = Clara 2, Patio, Regal, Remix 2

E = Curmi, Hero, Melange Nap

F = Canvas 2, Scuba, Steelcut Trio 3

G = Divina Melange 3, Hallingdal 65

H = Twill Weave

L1 = Coast (cuir fleur corrigé)

L2 = Elmosoft (cuir semi-aniline)

L3 = Elmotique (cuir aniline)

Notes:

DÉHOUSSABILITÉ:

Revêtements déhoussables (*): FIELD 2, COM, CLARA 2, MERIT, CURMI, PATIO, REMIX 2, CANVAS 2, HERO, MELANGE NAP, STEELCUT TRIO 3, DIVINA MELANGE 3, HALLINGDAL 65, REGAL, TWILL WEAVE.
Revêtements fixes: VALENCIA, COL, SCUBA, COAST, ELMOFOFT, ELMOTIQUE.

(*) Le revêtement est TECHNIQUEMENT DÉHOUSSABLE. Toutefois, afin de garantir une parfaite adhérence, il devra être remis par un personnel spécialisé en tissus d'ameublement ou par un tapissier.

Pour toute information sur les compositions des tissus, voir intérieur de la couverture.

Pour les commandes COM/COL, voir intérieur de la couverture.

Consommation dossiers sans repose-tête:

COM: 9,8 ml (H. 140 cm).

COL: 13,8 mq.

Consommation dossiers avec repose-tête:

COM: 10,2 ml (H. 140 cm).

COL: 15,6 mq.

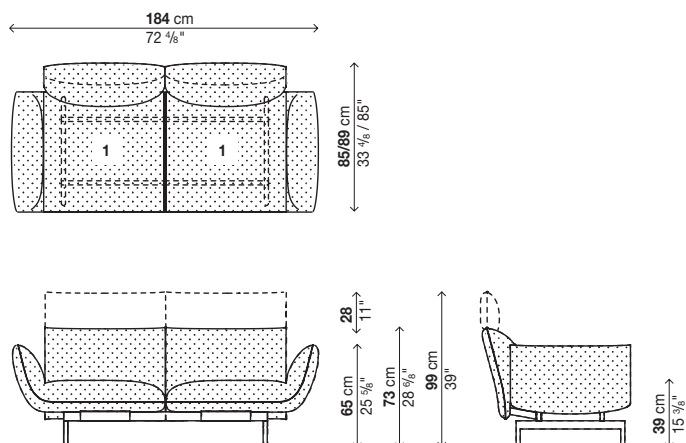
Emballages renforcés, voir intérieur de la couverture.

Dossiers sans repose-tête

Code	Pieds	Revêtement											colis	m ³	Kg		
		A	B	C	D	E	F	G	H	L1	L2	L3					
T1	Laqué noir																
	Chromé, Chromé noir																5 1,5 59

Dossiers avec repose-tête

Code	Pieds	Revêtement											colis	m ³	Kg		
		A	B	C	D	E	F	G	H	L1	L2	L3					
T2	Laqué noir																
	Chromé, Chromé noir																5 1,6 66



TENSO SOFA SYSTEM

Exemples de composition - Canapé 3 places

Finitura pieds:

Acier laqué noir (semblable à la teinte RAL 9004)

Acier chromé

Acier chromé noir

Finition du revêtement:

A = Valencia (cuir synthétique)

B = Field 2, COM (tissu Client)

C = Merit, COL (cuir du Client)

D = Clara 2, Patio, Regal, Remix 2

E = Curmi, Hero, Melange Nap

F = Canvas 2, Scuba, Steelcut Trio 3

G = Divina Melange 3, Hallingdal 65

H = Twill Weave

L1 = Coast (cuir fleur corrigé)

L2 = Elmosoft (cuir semi-aniline)

L3 = Elmotique (cuir aniline)

Notes:

DÉHOUSSABILITÉ:

Revêtements déhoussables (*): FIELD 2, COM, CLARA 2, MERIT, CURMI, PATIO, REMIX 2, CANVAS 2, HERO, MELANGE NAP, STEELCUT TRIO 3, DIVINA MELANGE 3, HALLINGDAL 65, REGAL, TWILL WEAVE.
Revêtements fixes: VALENCIA, COL, SCUBA, COAST, ELMOSOFT, ELMOTIQUE.

(*) Le revêtement est TECHNIQUEMENT DÉHOUSSABLE. Toutefois, afin de garantir une parfaite adhérence, il devra être remis par un personnel spécialisé en tissus d'ameublement ou par un tapissier.

Pour toute information sur les compositions des tissus, voir intérieur de la couverture.

Pour les commandes COM/COL, voir intérieur de la couverture.

Consommation dossiers sans repose-tête:

COM: 9,8 ml (H. 140 cm).

COL: 16,4 mq.

Consommation dossiers avec repose-tête:

COM: 10,2 ml (H. 140 cm).

COL: 18,4 mq.

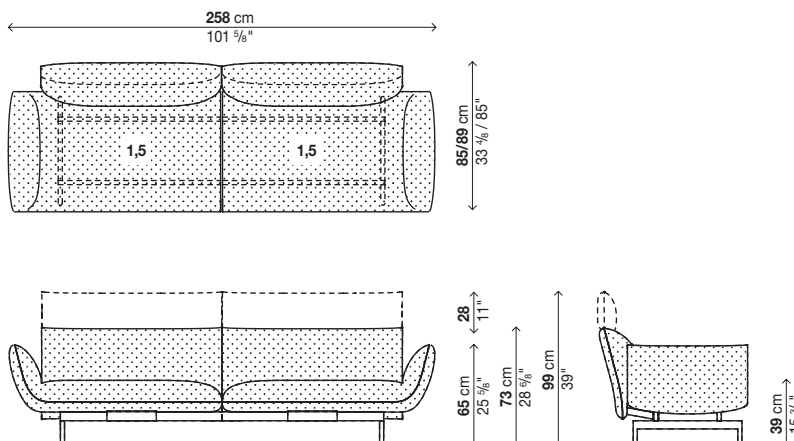
Emballages renforcés, voir intérieur de la couverture.

Dossiers sans repose-tête

Code	Pieds	Revêtement											colis	m ³	Kg		
		A	B	C	D	E	F	G	H	L1	L2	L3					
T3	Laqué noir																
	Chromé, Chromé noir																5 2,2 79

Dossiers avec repose-tête

Code	Pieds	Revêtement											colis	m ³	Kg		
		A	B	C	D	E	F	G	H	L1	L2	L3					
T4	Laqué noir																
	Chromé, Chromé noir																5 2,2 87,5



TENSO SOFA SYSTEM

Exemples de composition - Canapé chaise longue droit/gauche

Finitura pieds:

Acier laqué noir (semblable à la teinte RAL 9004)

Acier chromé

Acier chromé noir

Finition du revêtement:

A = Valencia (cuir synthétique)

B = Field 2, COM (tissu Client)

C = Merit, COL (cuir du Client)

D = Clara 2, Patio, Regal, Remix 2

E = Curmi, Hero, Melange Nap

F = Canvas 2, Scuba, Steelcut Trio 3

G = Divina Melange 3, Hallingdal 65

H = Twill Weave

L1 = Coast (cuir fleur corrigé)

L2 = Elmosoft (cuir semi-aniline)

L3 = Elmotique (cuir aniline)

Notes:

DÉHOUSSABILITÉ:

Revêtements déhoussables (*): FIELD 2, COM, CLARA 2, MERIT, CURMI, PATIO, REMIX 2, CANVAS 2, HERO, MELANGE NAP, STEELCUT TRIO 3, DIVINA MELANGE 3, HALLINGDAL 65, REGAL, TWILL WEAVE.
Revêtements fixes: VALENCIA, COL, SCUBA, COAST, ELMOSOFT, ELMOTIQUE.

(*) Le revêtement est TECHNIQUEMENT DÉHOUSSABLE. Toutefois, afin de garantir une parfaite adhérence, il devra être remis par un personnel spécialisé en tissus d'ameublement ou par un tapissier.

Pour toute information sur les compositions des tissus, voir intérieur de la couverture.

Pour les commandes COM/COL, voir intérieur de la couverture.

Consommation dossiers sans repose-tête:

COM: 14,7 ml (H. 140 cm).

COL: 22,4 mq.

Consommation dossiers avec repose-tête:

COM: 15,6 ml (H. 140 cm).

COL: 25,2 mq.

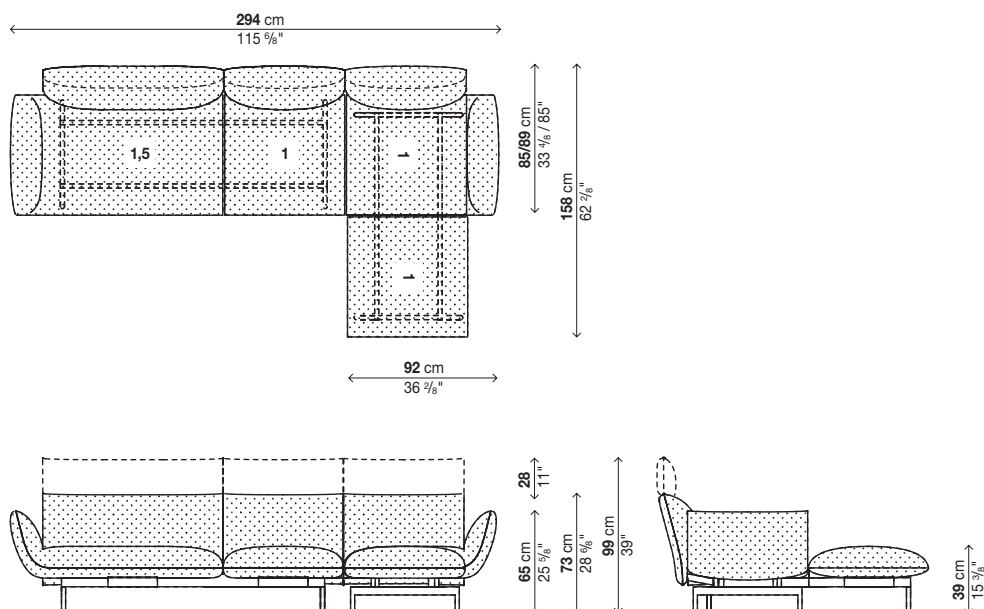
Emballages renforcés, voir intérieur de la couverture.

Dossiers sans repose-tête

Code	Pieds	Revêtement											colis	m ³	Kg		
		A	B	C	D	E	F	G	H	L1	L2	L3					
T5	Laqué noir																
	Chromé, Chromé noir																10 2,75 115

Dossiers avec repose-tête

Code	Pieds	Revêtement											colis	m ³	Kg		
		A	B	C	D	E	F	G	H	L1	L2	L3					
T6	Laqué noir																
	Chromé, Chromé noir																10 3 127



TENSO SOFA SYSTEM

Exemples de composition - Canapé d'angle droit/gauche

Finitura pieds:

Acier laqué noir (semblable à la teinte RAL 9004)

Acier chromé

Acier chromé noir

Finition du revêtement:

A = Valencia (cuir synthétique)

B = Field 2, COM (tissu Client)

C = Merit, COL (cuir du Client)

D = Clara 2, Patio, Regal, Remix 2

E = Curmi, Hero, Melange Nap

F = Canvas 2, Scuba, Steelcut Trio 3

G = Divina Melange 3, Hallingdal 65

H = Twill Weave

L1 = Coast (cuir fleur corrigé)

L2 = Elmosoft (cuir semi-aniline)

L3 = Elmotique (cuir aniline)

Finition du plateau:

Fenix-NTM® noir Ingo 0720 (Épaisseur 10 mm)

Fenix-NTM® chant coloré (blanc Kos 0032, gris Londres 0718) (Épaisseur 10 mm)

Notes:

DÉHOUSSABILITÉ:

Revêtements déhoussables (*): FIELD 2, COM, CLARA 2, MERIT, CURMI, PATIO, REMIX 2, CANVAS 2, HERO, MELANGE NAP, STEELCUT TRIO 3, DIVINA MELANGE 3, HALLINGDAL 65, REGAL, TWILL WEAVE.
Revêtements fixes: VALENCIA, COL, SCUBA, COAST, ELMOSOFT, ELMOTIQUE.

(*) Le revêtement est TECHNIQUEMENT DÉHOUSSABLE. Toutefois, afin de garantir une parfaite adhérence, il devra être remis par un personnel spécialisé en tissus d'ameublement ou par un tapissier.

Pour toute information sur les compositions des tissus, voir intérieur de la couverture.

Pour les commandes COM/COL, voir intérieur de la couverture.

Consommation dossiers sans repose-tête:

COM: 11,9 ml (H. 140 cm).

COL: 18,9 mq.

Consommation dossiers avec repose-tête:

COM: 12,5 ml (H. 140 cm).

COL: 21,8 mq.

Attention: la composition prévoit le plateau de la table basse en Fenix-NTM®. Pour le plateau en pierre "Pietra di Fossena", ajouter un supplément de - €.

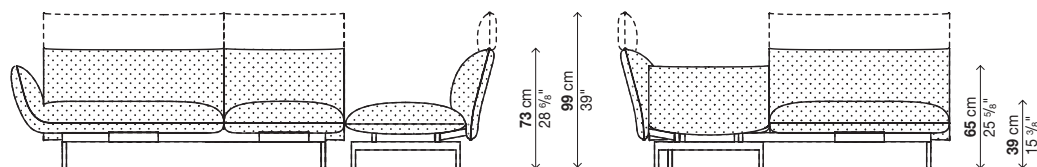
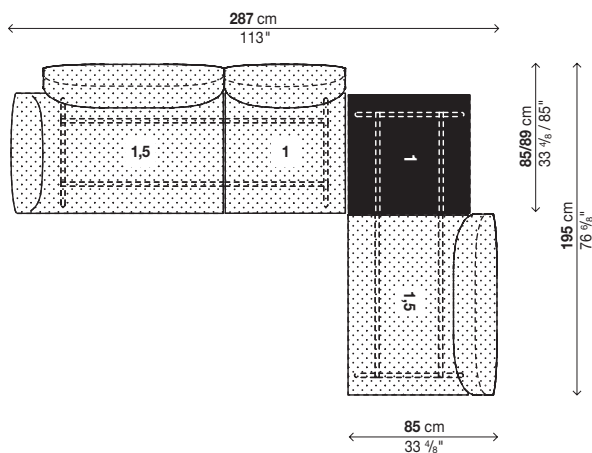
Emballages renforcés, voir intérieur de la couverture.

Dossiers sans repose-tête

Code	Pieds	Revêtement											colis	m ³	Kg		
		A	B	C	D	E	F	G	H	L1	L2	L3					
T7	Laqué noir																
	Chromé, Chromé noir																10 2,83 118

Dossiers avec repose-tête

Code	Pieds	Revêtement											colis	m ³	Kg		
		A	B	C	D	E	F	G	H	L1	L2	L3					
T8	Laqué noir																
	Chromé, Chromé noir																10 3,08 131



TENSO SOFA SYSTEM

Exemples de composition - Canapé linéaire droit/gauche

Finitura pieds:

Acier laqué noir (semblable à la teinte RAL 9004)

Acier chromé

Acier chromé noir

Finition du revêtement:

A = Valencia (cuir synthétique)

B = Field 2, COM (tissu Client)

C = Merit, COL (cuir du Client)

D = Clara 2, Patio, Regal, Remix 2

E = Curmi, Hero, Melange Nap

F = Canvas 2, Scuba, Steelcut Trio 3

G = Divina Melange 3, Hallingdal 65

H = Twill Weave

L1 = Coast (cuir fleur corrigé)

L2 = Elmosoft (cuir semi-aniline)

L3 = Elmotique (cuir aniline)

Finition du plateau:

Fenix-NTM® noir Ingo 0720 (Épaisseur 10 mm)

Fenix-NTM® chant coloré (blanc Kos 0032, gris Londres 0718) (Épaisseur 10 mm)

Notes:

DÉHOUSSABILITÉ:

Revêtements déhoussables (*): FIELD 2, COM, CLARA 2, MERIT, CURMI, PATIO, REMIX 2, CANVAS 2, HERO, MELANGE NAP, STEELCUT TRIO 3, DIVINA MELANGE 3, HALLINGDAL 65, REGAL, TWILL WEAVE. Revêtements fixes: VALENCIA, COL, SCUBA, COAST, ELMOSOFT, ELMOTIQUE.

(* Le revêtement est TECHNIQUEMENT DÉHOUSSABLE. Toutefois, afin de garantir une parfaite adhérence, il devra être remis par un personnel spécialisé en tissus d'ameublement ou par un tapissier.

Pour toute information sur les compositions des tissus, voir intérieur de la couverture.

Pour les commandes COM/COL, voir intérieur de la couverture.

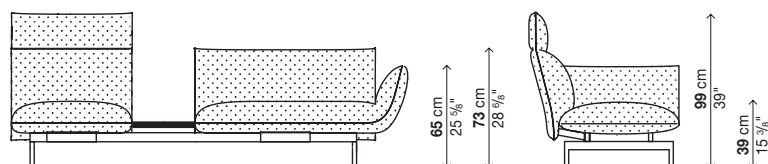
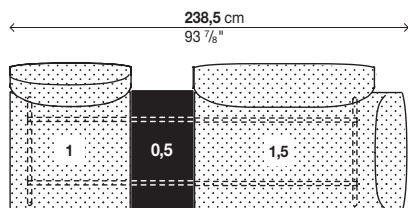
Consommation COM: 8,6 ml (H. 140 cm).

Consommation COL: 14 mq.

Attention: la composition prévoit le plateau de la table basse en Fenix-NTM®. Pour le plateau en pierre "Pietra di Fossena", ajouter un supplément de - €.

Emballages renforcés, voir intérieur de la couverture.

Code	Pieds	Revêtement											colis	m³	Kg			
		A	B	C	D	E	F	G	H	L1	L2	L3						
T9	Laqué noir																	
	Chromé, Chromé noir																	6 1,88 90



TENSO SOFA SYSTEM

Exemples de composition - Fauteuil lounge droit/gauche

Finitura pieds:

Acier laqué noir (semblable à la teinte RAL 9004)

Acier chromé

Acier chromé noir

Finition du revêtement:

A = Valencia (cuir synthétique)

B = Field 2, COM (tissu Client)

C = Merit, COL (cuir du Client)

D = Clara 2, Patio, Regal, Remix 2

E = Curmi, Hero, Melange Nap

F = Canvas 2, Scuba, Steelcut Trio 3

G = Divina Melange 3, Hallingdal 65

H = Twill Weave

L1 = Coast (cuir fleur corrigé)

L2 = Elmosoft (cuir semi-aniline)

L3 = Elmotique (cuir aniline)

Finition du plateau:

Fenix-NTM® noir Ingo 0720 (Épaisseur 10 mm)

Fenix-NTM® chant coloré (blanc Kos 0032, gris Londres 0718) (Épaisseur 10 mm)

Notes:

DÉHOUSSABILITÉ:

Revêtements déhoussables (*): FIELD 2, COM, CLARA 2, MERIT, CURMI, PATIO, REMIX 2, CANVAS 2, HERO, MELANGE NAP, STEELCUT TRIO 3, DIVINA MELANGE 3, HALLINGDAL 65, REGAL, TWILL WEAVE.
Revêtements fixes: VALENCIA, COL, SCUBA, COAST, ELMOSOFT, ELMOTIQUE.

(* Le revêtement est TECHNIQUEMENT DÉHOUSSABLE. Toutefois, afin de garantir une parfaite adhérence, il devra être remis par un personnel spécialisé en tissus d'ameublement ou par un tapissier.

Pour toute information sur les compositions des tissus, voir intérieur de la couverture.

Pour les commandes COM/COL, voir intérieur de la couverture.

Consommation dossiers sans repose-tête:

COM: 3,5 ml (H. 140 cm).

COL: 4,9 mq.

Consommation dossiers avec repose-tête:

COM: 3,7 ml (H. 140 cm).

COL: 5,8 mq.

Attention: la composition prévoit le plateau de la table basse en Fenix-NTM®. Pour le plateau en pierre "Pietra di Fossena", ajouter un sup- plément de - €.

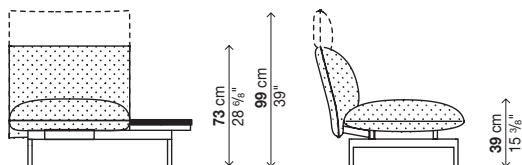
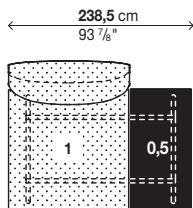
Emballages renforcés, voir intérieur de la couverture.

Dossiers sans repose-tête

Code	Pieds	Revêtement											colis	m ²	Kg		
		A	B	C	D	E	F	G	H	L1	L2	L3					
T10	Laqué noir																
	Chromé, Chromé noir																4 0,73 48

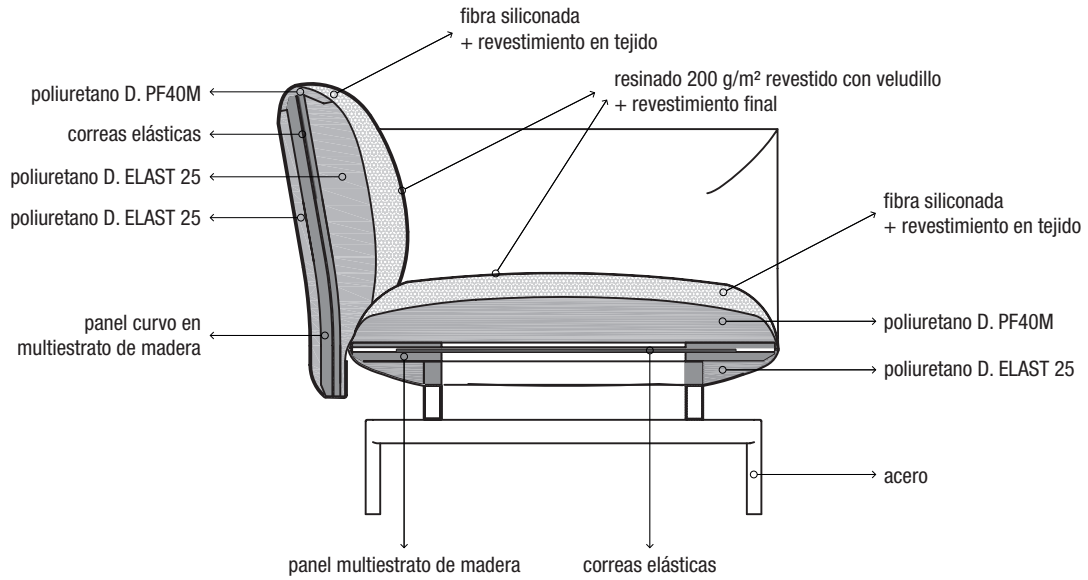
Dossiers avec repose-tête

Code	Pieds	Revêtement											colis	m ²	Kg		
		A	B	C	D	E	F	G	H	L1	L2	L3					
T11	Laqué noir																
	Chromé, Chromé noir																4 0,78 51,5

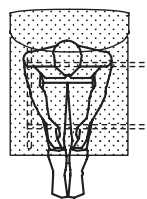
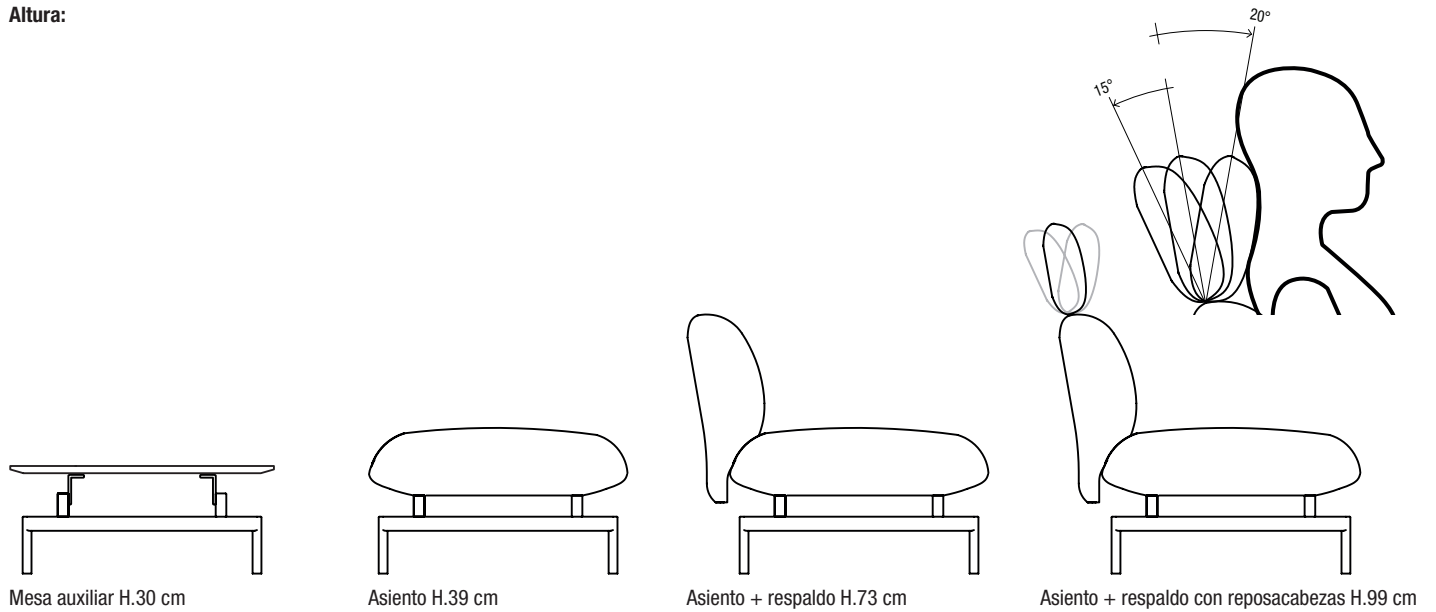


TENSO SOFA SYSTEM

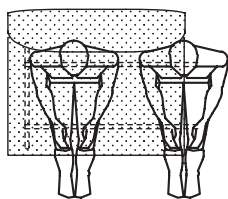
Info



Altura:



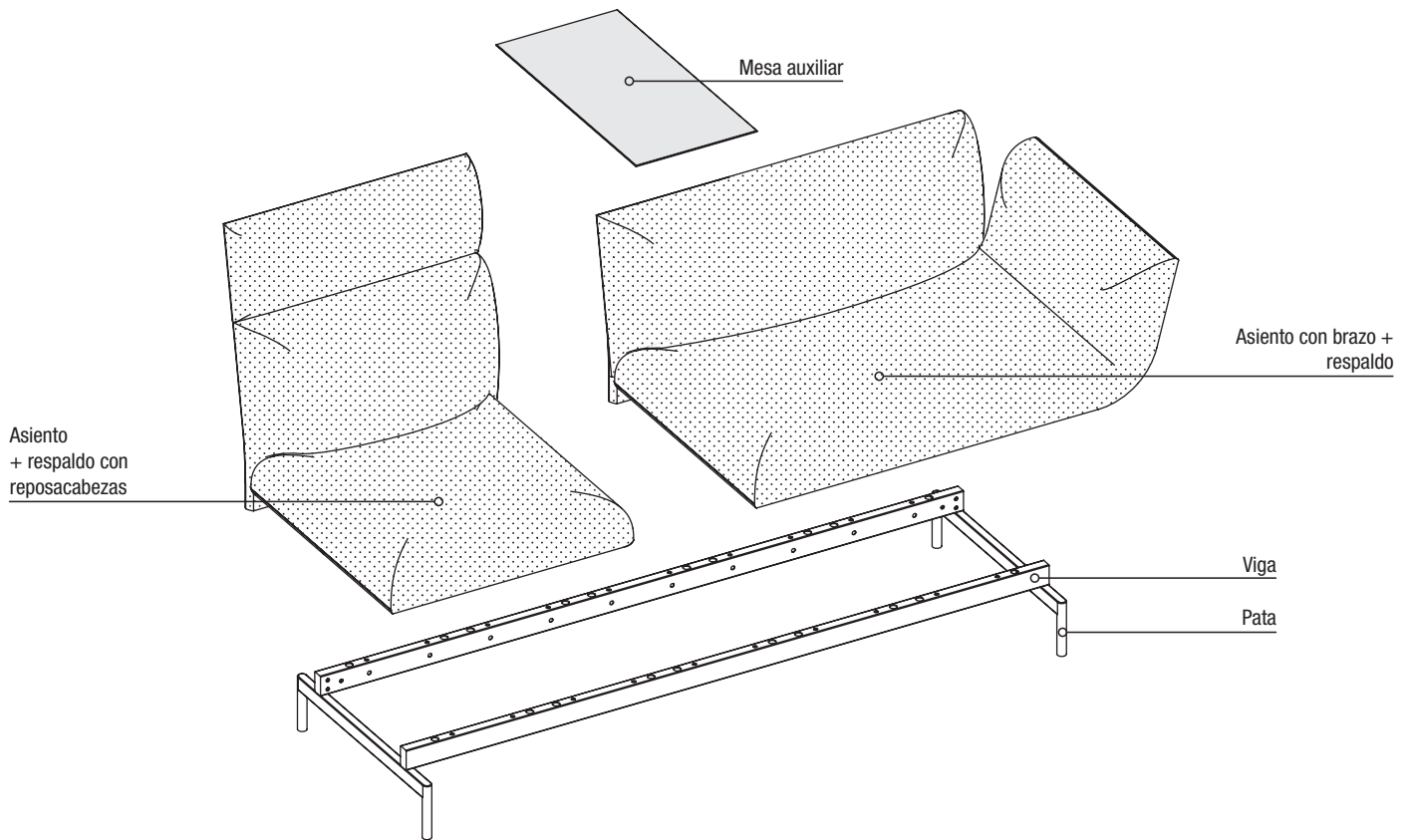
Módulo 1 = 1 asiento



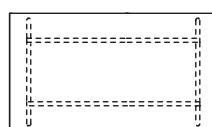
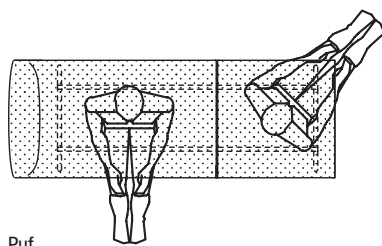
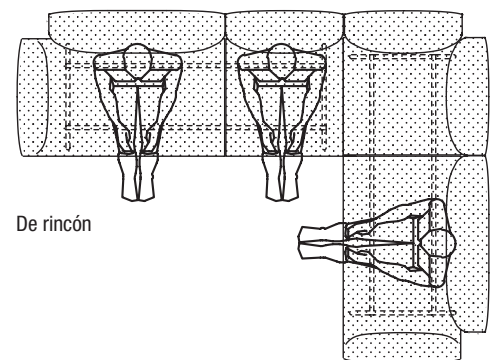
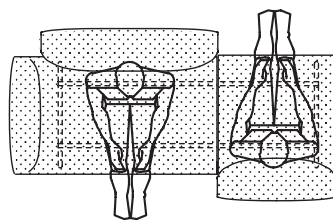
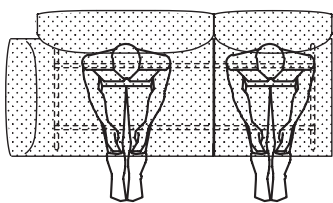
Módulo 1,5 = 1,5 asientos

TENSO SOFA SYSTEM

Info



Tipo de composiciones:



TENSO SOFA SYSTEM

Estructura

Acabado patas:

Acero barnizado negro (parecido al RAL 9004)

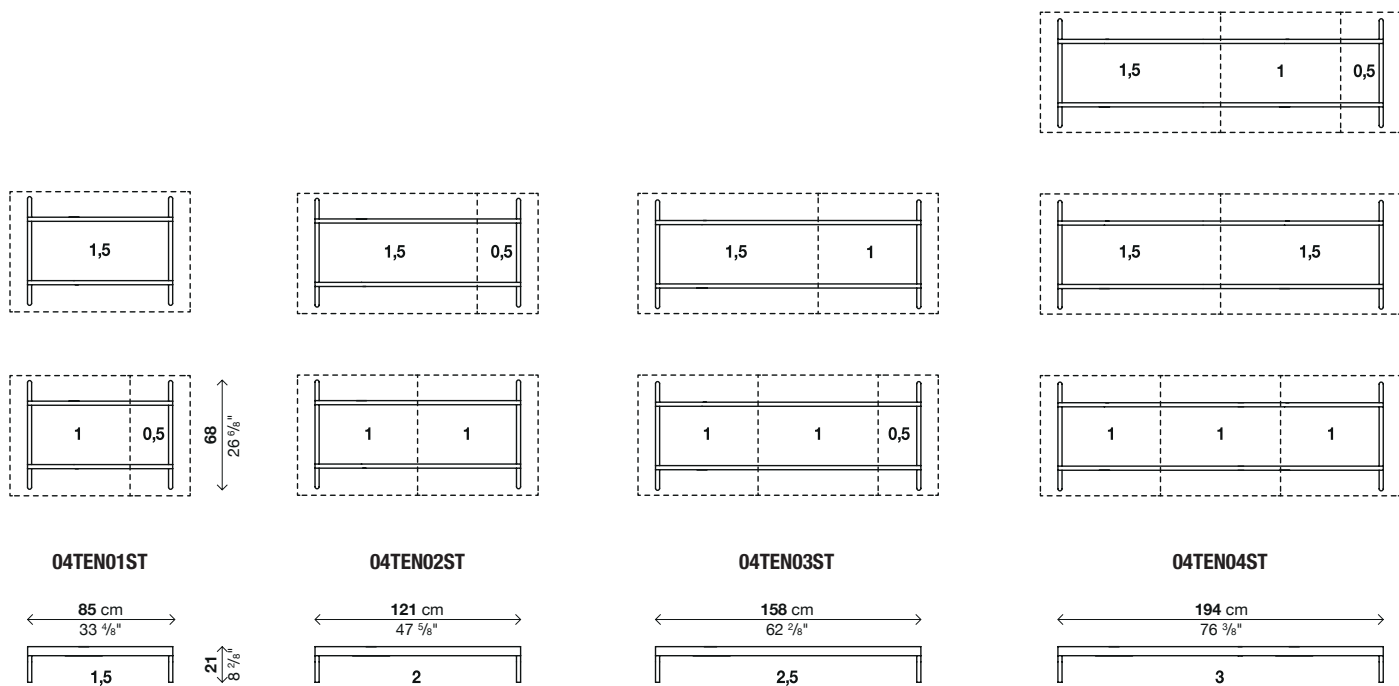
Acero cromado

Acero cromado negro

Acabado vigas:

Acero barnizado negro (parecido al RAL 9004)

Código	Dimensiones (L x P x H)	Patas		pack	m ³	Kg
		Barnizado negro	Cromado, Cromado negro			
04TEN01ST	85 x 68 x 21 (1,5)			1	0,3	10
04TEN02ST	121 x 68 x 21 (2)			1	0,4	13
04TEN03ST	158 x 68 x 21 (2,5)			1	0,5	16
04TEN04ST	194 x 68 x 21 (3)			1	0,65	18,5



TENSO SOFA SYSTEM

Asiento

Acabado revestimiento:

- A = Valencia (piel sintética)
- B = Field 2, COM (tejido Cliente)
- C = Merit, COL (piel del Cliente)
- D = Clara 2, Patio, Regal, Remix 2
- E = Curmi, Hero, Melange Nap
- F = Canvas 2, Scuba, Steelcut Trio 3
- G = Divina Melange 3, Hallingdal 65
- H = Twill Weave
- L1 = Coast (piel flor corregida)
- L2 = Elmosoft (piel semi-anilina)
- L3 = Elmotique (piel anilina)

Notas:

DESENFUNDABILIDAD:

Revestimientos desenfundables (*): FIELD 2, COM, CLARA 2, MERIT, CURMI, PATIO, REMIX 2, CANVAS 2, HERO, MELANGE NAP, STEELCUT TRIO 3, DIVINA MELANGE 3, HALLINGDAL 65, REGAL, TWILL WEAVE.
 Revestimientos fijos: VALENCIA, COL, SCUBA, COAST, ELMOSOFT, ELMOTIQUE.

(* El revestimiento es TÉCNICAMENTE DESENFUNDABLE, para garantizar una correcta adherencia debe ser recolocado exclusivamente por personal especializado en tapicería.

Para obtener información sobre las composiciones de los tejidos, ver lado interno de la portada.

Para pedidos COM/COL ver lado interno de la portada.

Consumo asiento:

73 cm COM: 1,7 ml (H. 140 cm). - COL: 2,4 mq.

110 cm COM: 1,7 ml (H. 140 cm). - COL: 2,8 mq.

Consumo asiento con brazo:

92 cm COM: 3,1 ml (H. 140 cm). - COL: 4,4 mq.

129 cm COM: 3,1 ml (H. 140 cm). - COL: 5,2 mq.

Embalajes reforzados, ver lado interno de la portada.

Asiento

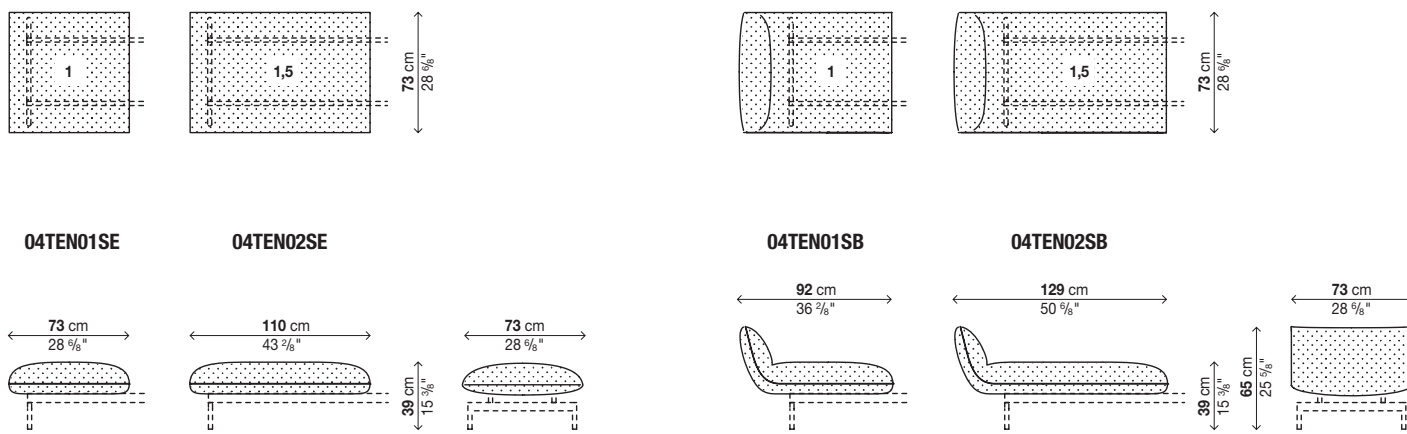
Código	Longitud	Revestimiento											pack	m ³	Kg			
		A	B	C	D	E	F	G	H	L1	L2	L3						
04TEN01SE	73 (1)															1	0,15	11
04TEN02SE	110 (1,5)															1	0,25	16

Asiento con brazo

Código	Longitud	Revestimiento											pack	m ³	Kg			
		A	B	C	D	E	F	G	H	L1	L2	L3						
04TEN01SB	92 (1)															1	0,35	16
04TEN02SB	129 (1,5)															1	0,5	21

Opcionales

Código	Descripción	pack	m ³	Kg
04TEN01SE	Ignifugo	-	-	-
04TEN02SE	Ignifugo	-	-	-
04TEN01SB	Ignifugo	-	-	-
04TEN02SB	Ignifugo	-	-	-



TENSO SOFA SYSTEM

Asiento + respaldo

Acabado revestimiento:

- A = Valencia (piel sintética)
- B = Field 2, COM (tejido Cliente)
- C = Merit, COL (piel del Cliente)
- D = Clara 2, Patio, Regal, Remix 2
- E = Curmi, Hero, Melange Nap
- F = Canvas 2, Scuba, Steelcut Trio 3
- G = Divina Melange 3, Hallingdal 65
- H = Twill Weave
- L1 = Coast (piel flor corregida)
- L2 = Elmosoft (piel semi-anilina)
- L3 = Elmotique (piel anilina)

Notas:

DESENFUNDABILIDAD:

Revestimientos desenfundables (*): FIELD 2, COM, CLARA 2, MERIT, CURMI, PATIO, REMIX 2, CANVAS 2, HERO, MELANGE NAP, STEELCUT TRIO 3, DIVINA MELANGE 3, HALLINGDAL 65, REGAL, TWILL WEAVE.
Revestimientos fijos: VALENCIA, COL, SCUBA, COAST, ELMOSSOFT, ELMOTIQUE.

(*) El revestimiento es TÉCNICAMENTE DESENFUNDABLE, para garantizar una correcta adherencia debe ser recolocado exclusivamente por personal especializado en tapicería.

Para obtener información sobre las composiciones de los tejidos, ver lado interno de la portada.

Para pedidos COM/COL ver lado interno de la portada.

Consumo asiento + respaldo:

73 cm COM: 3,5 ml (H. 140 cm). - COL: 4,9 mq.

110 cm COM: 3,5 ml (H. 140 cm). - COL: 5,8 mq.

Consumo asiento con brazo + respaldo:

92 cm COM: 4,9 ml (H. 140 cm). - COL: 6,9 mq.

129 cm COM: 4,9 ml (H. 140 cm). - COL: 8,2 mq.

Embalajes reforzados, ver lado interno de la portada.

Asiento + respaldo

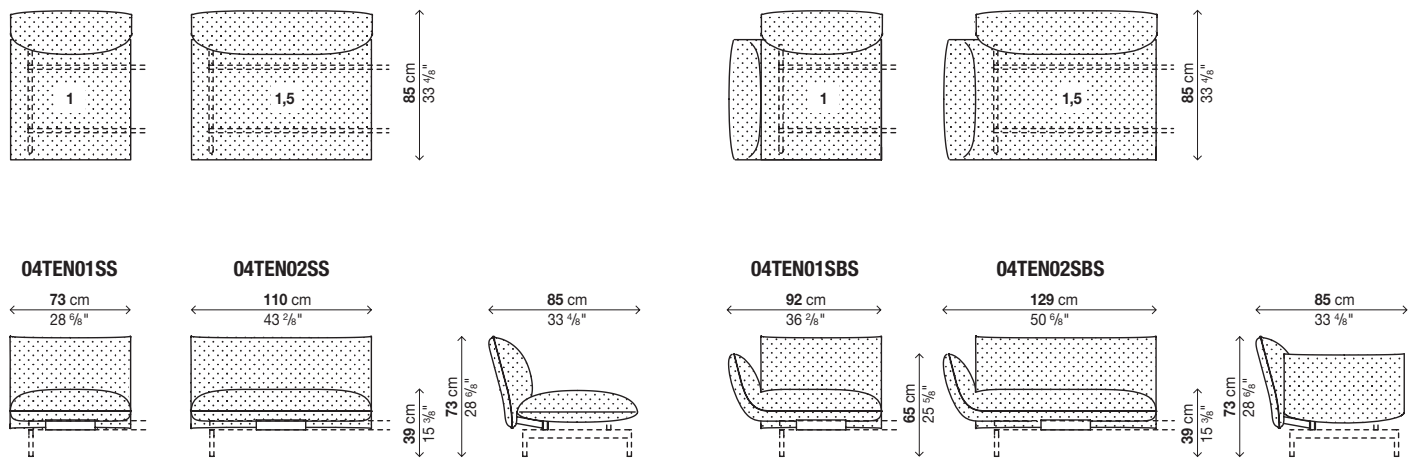
Código	Longitud	Revestimiento											pack	m ³	Kg			
		A	B	C	D	E	F	G	H	L1	L2	L3						
04TEN01SS	73 (1)															2	0,35	18
04TEN02SS	110 (1,5)															2	0,55	25

Asiento con brazo + respaldo

Código	Longitud	Revestimiento											pack	m ³	Kg			
		A	B	C	D	E	F	G	H	L1	L2	L3						
04TEN01SBS	92 (1)															2	0,35	23
04TEN02SBS	129 (1,5)															2	0,5	30

Opcionales

Código	Descripción	pack	m ³	Kg
04TEN01SS	Ignifugo	-	-	-
04TEN02SS	Ignifugo	-	-	-
04TEN01SBS	Ignifugo	-	-	-
04TEN02SBS	Ignifugo	-	-	-



TENSO SOFA SYSTEM

Asiento + respaldo con reposacabezas

Acabado revestimiento:

- A = Valencia (piel sintética)
- B = Field 2, COM (tejido Cliente)
- C = Merit, COL (piel del Cliente)
- D = Clara 2, Patio, Regal, Remix 2
- E = Curmi, Hero, Melange Nap
- F = Canvas 2, Scuba, Steelcut Trio 3
- G = Divina Melange 3, Hallingdal 65
- H = Twill Weave
- L1 = Coast (piel flor corregida)
- L2 = Elmosoft (piel semi-anilina)
- L3 = Elmotique (piel anilina)

Notas:

DESENFUNDABILIDAD:

Revestimientos desenfundables (*): FIELD 2, COM, CLARA 2, MERIT, CURMI, PATIO, REMIX 2, CANVAS 2, HERO, MELANGE NAP, STEELCUT TRIO 3, DIVINA MELANGE 3, HALLINGDAL 65, REGAL, TWILL WEAVE.
 Revestimientos fijos: VALENCIA, COL, SCUBA, COAST, ELMOFOFT, ELMOTIQUE.

(* El revestimiento es TÉCNICAMENTE DESENFUNDABLE, para garantizar una correcta adherencia debe ser recolocado exclusivamente por personal especializado en tapicería.

Para obtener información sobre las composiciones de los tejidos, ver lado interno de la portada.

Para pedidos COM/COL ver lado interno de la portada.

Consumo asiento + respaldo con reposacabezas:

73 cm COM: 3,7 ml (H. 140 cm). - COL: 5,8 mq.

110 cm COM: 3,7 ml (H. 140 cm). - COL: 6,8 mq.

Consumo asiento con brazo + respaldo con reposacabezas:

92 cm COM: 5,1 ml (H. 140 cm). - COL: 7,8 mq.

129 cm COM: 5,1 ml (H. 140 cm). - COL: 9,2 mq.

Embalajes reforzados, ver lado interno de la portada.

Asiento + respaldo con reposacabezas

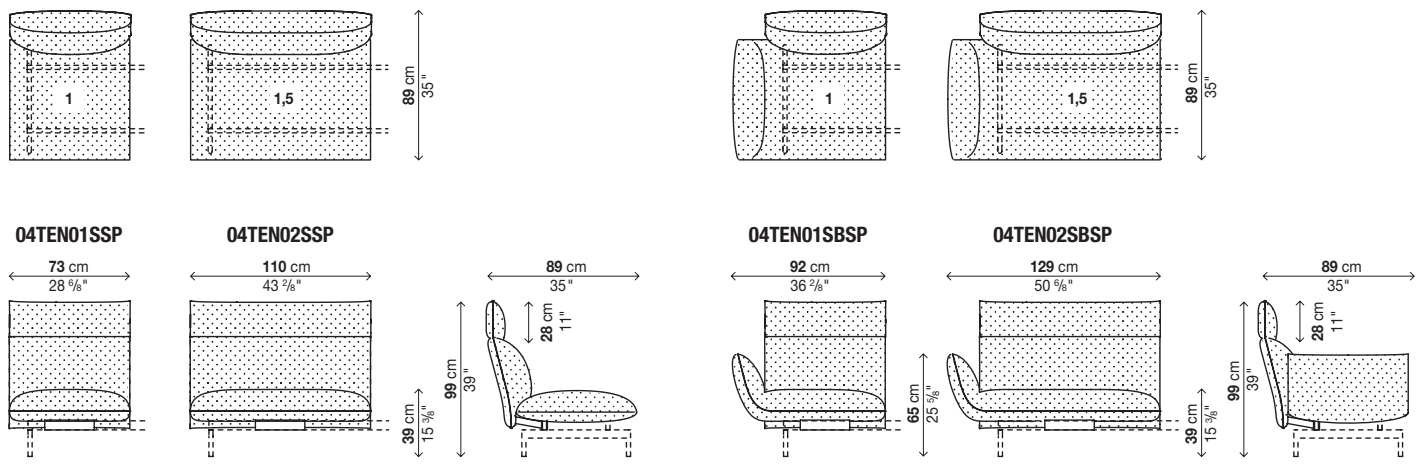
Código	Longitud	Revestimiento											pack	m³	Kg		
		A	B	C	D	E	F	G	H	L1	L2	L3					
04TEN01SSP	73 (1)														2	0,4	21,5
04TEN02SSP	110 (1,5)														2	0,65	29,5

Asiento con brazo + respaldo con reposacabezas

Código	Longitud	Revestimiento											pack	m³	Kg		
		A	B	C	D	E	F	G	H	L1	L2	L3					
04TEN01SBSP	92 (1)														2	0,6	26,5
04TEN02SBSP	129 (1,5)														2	0,9	34,5

Opcionales

Código	Descripción	pack	m³	Kg
04TEN01SSP	Ignifugo	-	-	-
04TEN02SSP	Ignifugo	-	-	-
04TEN01SBSP	Ignifugo	-	-	-
04TEN02SBSP	Ignifugo	-	-	-



TENSO SOFA SYSTEM

Respaldo lateral

Acabado revestimiento:

- A = Valencia (piel sintética)
- B = Field 2, COM (tejido Cliente)
- C = Merit, COL (piel del Cliente)
- D = Clara 2, Patio, Regal, Remix 2
- E = Curmi, Hero, Melange Nap
- F = Canvas 2, Scuba, Steelcut Trio 3
- G = Divina Melange 3, Hallingdal 65
- H = Twill Weave
- L1 = Coast (piel flor corregida)
- L2 = Elmosoft (piel semi-anilina)
- L3 = Elmotique (piel anilina)

Notas:

DESENFUNDABILIDAD:

Revestimientos desenfundables (*): FIELD 2, COM, CLARA 2, MERIT, CURMI, PATIO, REMIX 2, CANVAS 2, HERO, MELANGE NAP, STEELCUT TRIO 3, DIVINA MELANGE 3, HALLINGDAL 65, REGAL, TWILL WEAVE.
Revestimientos fijos: VALENCIA, COL, SCUBA, COAST, ELMOOSOFT, ELMOTIQUE.

(*). El revestimiento es TÉCNICAMENTE DESENFUNDABLE, para garantizar una correcta adherencia debe ser recolocado exclusivamente por personal especializado en tapicería.

Para obtener información sobre las composiciones de los tejidos, ver lado interno de la portada.

Para pedidos COM/COL ver lado interno de la portada.

Consumo respaldo lateral:

COM: 1,5 ml (H. 140 cm).

COL: 2,5 mq.

Consumo respaldo con reposacabezas:

COM: 2 ml (H. 140 cm).

COL: 3,4 mq.

Embalajes reforzados, ver lado interno de la portada.

Respaldo lateral

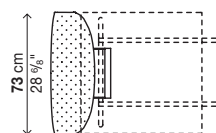
Código	Revestimiento											pack	m ²	Kg			
	A	B	C	D	E	F	G	H	L1	L2	L3						
04TEN01SL															1	0,2	8,5

Respaldo lateral con reposacabezas

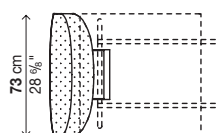
Código	Revestimiento											pack	m ²	Kg			
	A	B	C	D	E	F	G	H	L1	L2	L3						
04TEN02SLP															1	0,3	12,5

Opcionales

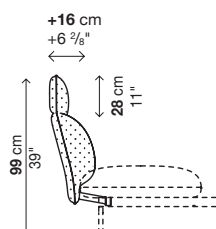
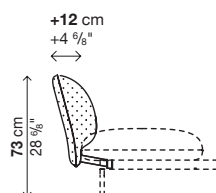
Código	Descripción	pack	m ²	Kg
04TEN01SL	Ignifugo	-	-	-
04TEN01SLP	Ignifugo	-	-	-



04TEN01SL



04TEN01SLP



TENSO SOFA SYSTEM

Mesa auxiliar

Acabado sobre:

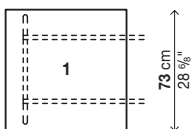
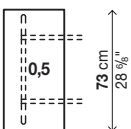
Fenix-NTM® negro Ingo 0720 (Es. 10 mm)

Fenix-NTM® borde color (blanco Kos 0032, gris Londres 0718) (Es. 10 mm)

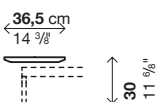
Piedra "Pietra di Fossena" (Es. 20 mm)

Sobre de la mesa auxiliar

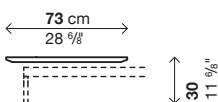
Código	Dimensiones (L x P)	Sobre		pack	m ³	Kg
		Fenix-NTM®	Piedra "Pietra di Fossena"			
04TEN01PI	36,5 x 73			1	0,08	20
04TEN02PI	73 x 73			1	0,12	40



04TEN01PI



04TEN02PI



TENSO SOFA SYSTEM

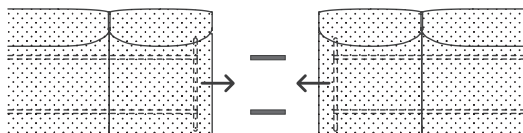
Elementos de unión

Acabado:

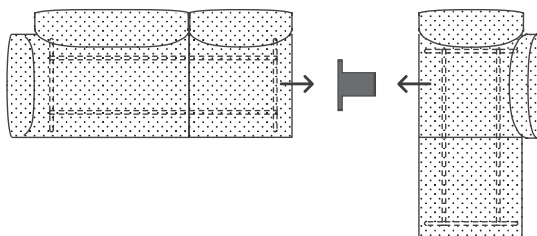
Acero barnizado negro

Código	Descripción	pack	m ²	Kg
02AGGTEN01	Recto	2	0,01	0,8
02AGGTEN02	De rincón	2	0,01	2,5

02AGGTEN01



02AGGTEN02



TENSO SOFA SYSTEM

Cojines extraíbles universales

Acabado revestimiento:

- A = Valencia (piel sintética)
- B = Field 2, COM (tejido Cliente)
- C = Merit, COL (piel del Cliente)
- D = Clara 2, Patio, Regal, Remix 2
- E = Curmi, Hero, Melange Nap
- F = Canvas 2, Scuba, Steelcut Trio 3
- G = Divina Melange 3, Hallingdal 65
- H = Twill Weave
- L1 = Coast (piel flor corregida)
- L2 = Elmosoft (piel semi-anilina)
- L3 = Elmotique (piel anilina)

Notas:

DESENFUNDABILIDAD:

En las versiones de tejido y piel, el revestimiento es desenfundable.

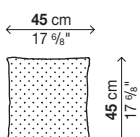
Para obtener información sobre las composiciones de los tejidos, ver lado interno de la portada.

Para pedidos COM/COL ver lado interno de la portada.

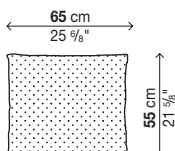
Consumo cojín 45 x 45:
COM: 0,6 ml (H. 140 cm).
COL: 0,8 mq.
Consumo cojín 65 x 55:
COM: 0,7 ml (H. 140 cm).
COL: 1 mq.
Consumo cojín 75 x 40:
COM: 1 ml (H. 140 cm).
COL: 1,3 mq.

Código	Dimensiones	Revestimiento											pack	m ²	Kg			
		A	B	C	D	E	F	G	H	L1	L2	L3						
20CUS01	Cojín 45 x 45															1	0,02	1
20CUS02	Cojín 65 x 55															1	0,02	1
20CUS03	Cojín 75 x 40															1	0,02	1

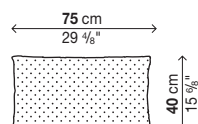
20CUS01



20CUS02



20CUS03



TENSO SOFA SYSTEM

Ejemplos de composicion - Sofá 2 plazas

Acabado patas:

Acero barnizado negro (parecido al RAL 9004)

Acero cromado

Acero cromado negro

Acabado revestimiento:

A = Valencia (piel sintética)

B = Field 2, COM (tejido Cliente)

C = Merit, COL (piel del Cliente)

D = Clara 2, Patio, Regal, Remix 2

E = Curmi, Hero, Melange Nap

F = Canvas 2, Scuba, Steelcut Trio 3

G = Divina Melange 3, Hallingdal 65

H = Twill Weave

L1 = Coast (piel flor corregida)

L2 = ElmoSoft (piel semi-anilina)

L3 = Elmotique (piel anilina)

Notas:

DESENFUNDABILIDAD:

Revestimientos desenfundables (*): FIELD 2, COM, CLARA 2, MERIT, CURMI, PATIO, REMIX 2, CANVAS 2, HERO, MELANGE NAP, STEELCUT TRIO 3, DIVINA MELANGE 3, HALLINGDAL 65, REGAL, TWILL WEAVE.
Revestimientos fijos: VALENCIA, COL, SCUBA, COAST, ELMOOSOFT, ELMOTIQUE.

(*) El revestimiento es TÉCNICAMENTE DESENFUNDABLE, para garantizar una correcta adherencia debe ser recolocado exclusivamente por personal especializado en tapicería.

Para obtener información sobre las composiciones de los tejidos, ver lado interno de la portada.

Para pedidos COM/COL ver lado interno de la portada.

Consumo respaldo sin reposacabezas:

COM: 9,8 ml (H. 140 cm).

COL: 13,8 mq.

Consumo respaldo con reposacabezas:

COM: 10,2 ml (H. 140 cm).

COL: 15,6 mq.

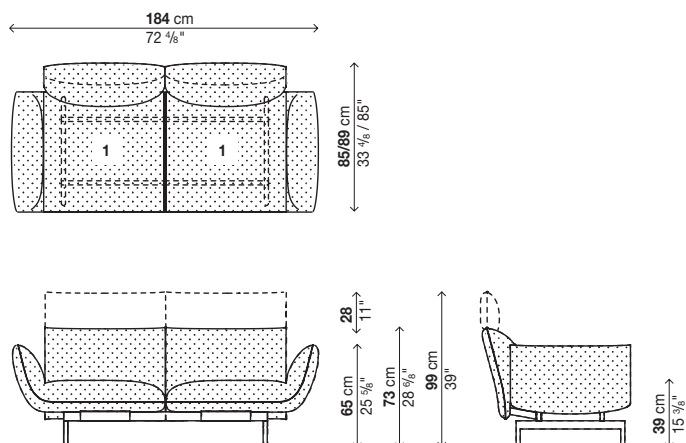
Embalajes reforzados, ver lado interno de la portada.

Respalcos sin reposacabezas

Código	Patas	Revestimiento											pack	m ³	Kg		
		A	B	C	D	E	F	G	H	L1	L2	L3					
T1	Barnizado negro																
	Cromado, Cromado negro																5 1,5 59

Respalcos con reposacabezas

Código	Patas	Revestimiento											pack	m ³	Kg		
		A	B	C	D	E	F	G	H	L1	L2	L3					
T2	Barnizado negro																
	Cromado, Cromado negro																5 1,6 66



TENSO SOFA SYSTEM

Ejemplos de composicion - Sofá 3 plazas

Acabado patas:

Acero barnizado negro (parecido al RAL 9004)

Acero cromado

Acero cromado negro

Acabado revestimiento:

A = Valencia (piel sintética)

B = Field 2, COM (tejido Cliente)

C = Merit, COL (piel del Cliente)

D = Clara 2, Patio, Regal, Remix 2

E = Curmi, Hero, Melange Nap

F = Canvas 2, Scuba, Steelcut Trio 3

G = Divina Melange 3, Hallingdal 65

H = Twill Weave

L1 = Coast (piel flor corregida)

L2 = Elmosoft (piel semi-anilina)

L3 = Elmotique (piel anilina)

Notas:

DESENFUNDABILIDAD:

Revestimientos desenfundables (*): FIELD 2, COM, CLARA 2, MERIT, CURMI, PATIO, REMIX 2, CANVAS 2, HERO, MELANGE NAP, STEELCUT TRIO 3, DIVINA MELANGE 3, HALLINGDAL 65, REGAL, TWILL WEAVE. Revestimientos fijos: VALENCIA, COL, SCUBA, COAST, ELMOSOFT, ELMOTIQUE.

(* El revestimiento es TÉCNICAMENTE DESENFUNDABLE, para garantizar una correcta adherencia debe ser recolocado exclusivamente por personal especializado en tapicería.

Para obtener información sobre las composiciones de los tejidos, ver lado interno de la portada.

Para pedidos COM/COL ver lado interno de la portada.

Consumo respaldo sin reposacabezas:

COM: 9,8 ml (H. 140 cm).

COL: 16,4 mq.

Consumo respaldo con reposacabezas:

COM: 10,2 ml (H. 140 cm).

COL: 18,4 mq.

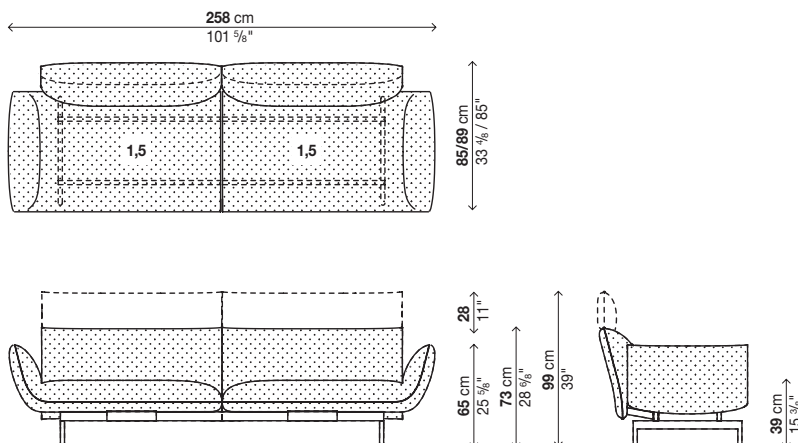
Embalajes reforzados, ver lado interno de la portada.

Respaldos sin reposacabezas

Código	Patas	Revestimiento											pack	m ³	Kg		
		A	B	C	D	E	F	G	H	L1	L2	L3					
T3	Barnizado negro														5	2,2	79
	Cromado, Cromado negro																

Respaldos con reposacabezas

Código	Patas	Revestimiento											pack	m ³	Kg		
		A	B	C	D	E	F	G	H	L1	L2	L3					
T4	Barnizado negro														5	2,2	87,5
	Cromado, Cromado negro																



TENSO SOFA SYSTEM

Ejemplos de composicion - Sofá chaise longue dcho/izqda

Acabado patas:

Acero barnizado negro (parecido al RAL 9004)

Acero cromado

Acero cromado negro

Acabado revestimiento:

A = Valencia (piel sintética)

B = Field 2, COM (tejido Cliente)

C = Merit, COL (piel del Cliente)

D = Clara 2, Patio, Regal, Remix 2

E = Curmi, Hero, Melange Nap

F = Canvas 2, Scuba, Steelcut Trio 3

G = Divina Melange 3, Hallingdal 65

H = Twill Weave

L1 = Coast (piel flor corregida)

L2 = ElmoSoft (piel semi-anilina)

L3 = Elmotique (piel anilina)

Notas:

DESENFUNDABILIDAD:

Revestimientos desenfundables (*): FIELD 2, COM, CLARA 2, MERIT, CURMI, PATIO, REMIX 2, CANVAS 2, HERO, MELANGE NAP, STEELCUT TRIO 3, DIVINA MELANGE 3, HALLINGDAL 65, REGAL, TWILL WEAVE.
Revestimientos fijos: VALENCIA, COL, SCUBA, COAST, ELMOOSOFT, ELMOTIQUE.

(* El revestimiento es TÉCNICAMENTE DESENFUNDABLE, para garantizar una correcta adherencia debe ser recolocado exclusivamente por personal especializado en tapicería.

Para obtener información sobre las composiciones de los tejidos, ver lado interno de la portada.

Para pedidos COM/COL ver lado interno de la portada.

Consumo respaldo sin reposacabezas:

COM: 14,7 ml (H. 140 cm).

COL: 22,4 mq.

Consumo respaldo con reposacabezas:

COM: 15,6 ml (H. 140 cm).

COL: 25,2 mq.

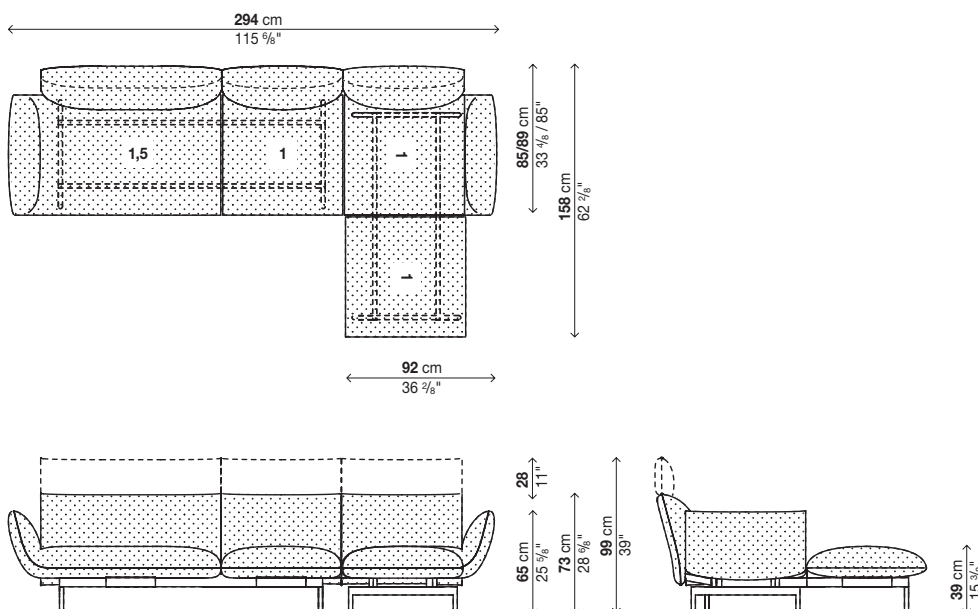
Embalajes reforzados, ver lado interno de la portada.

Respaldos sin reposacabezas

Código	Patas	Revestimiento											pack	m³	Kg		
		A	B	C	D	E	F	G	H	L1	L2	L3					
T5	Barnizado negro																
	Cromado, Cromado negro																10 2,75 115

Respaldos con reposacabezas

Código	Patas	Revestimiento											pack	m³	Kg		
		A	B	C	D	E	F	G	H	L1	L2	L3					
T6	Barnizado negro																
	Cromado, Cromado negro																10 3 127



TENSO SOFA SYSTEM

Ejemplos de composición - Sofá de rincón dcho/izqda

Acabado patas:

Acero barnizado negro (parecido al RAL 9004)

Acero cromado

Acero cromado negro

Acabado revestimiento:

A = Valencia (piel sintética)

B = Field 2, COM (tejido Cliente)

C = Merit, COL (piel del Cliente)

D = Clara 2, Patio, Regal, Remix 2

E = Curmi, Hero, Melange Nap

F = Canvas 2, Scuba, Steelcut Trio 3

G = Divina Melange 3, Hallingdal 65

H = Twill Weave

L1 = Coast (piel flor corregida)

L2 = Elmosoft (piel semi-anilina)

L3 = Elmotique (piel anilina)

Acabado sobre:

Fenix-NTM® negro Ingo 0720 (Es. 10 mm)

Fenix-NTM® borde color (blanco Kos 0032, gris Londres 0718) (Es. 10 mm)

Notas:

DESENFUNDABILIDAD:

Revestimientos desenfundables (*): FIELD 2, COM, CLARA 2, MERIT, CURMI, PATIO, REMIX 2, CANVAS 2, HERO, MELANGE NAP, STEELCUT TRIO 3, DIVINA MELANGE 3, HALLINGDAL 65, REGAL, TWILL WEAVE. Revestimientos fijos: VALENCIA, COL, SCUBA, COAST, ELMOSOFT, ELMOTIQUE.

(*) El revestimiento es TÉCNICAMENTE DESENFUNDABLE, para garantizar una correcta adherencia debe ser recolocado exclusivamente por personal especializado en tapicería.

Para obtener información sobre las composiciones de los tejidos, ver lado interno de la portada.

Para pedidos COM/COL ver lado interno de la portada.

Consumo respaldo sin reposacabezas:

COM: 11,9 ml (H. 140 cm).

COL: 18,9 mq.

Consumo respaldo con reposacabezas:

COM: 12,5 ml (H. 140 cm).

COL: 21,8 mq.

Atención: la composición incluye el sobre de mesita en Fenix-NTM®. Para el sobre piedra "Pietra di Fossena" considerar un recargo de precio de - €.

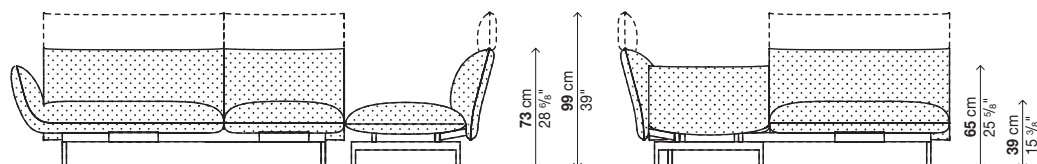
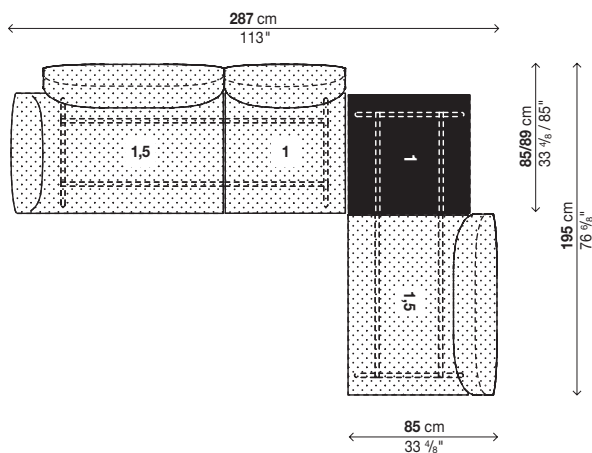
Embalajes reforzados, ver lado interno de la portada.

Respaldos sin reposacabezas

Código	Patas	Revestimiento											pack	m ³	Kg		
		A	B	C	D	E	F	G	H	L1	L2	L3					
T7	Barnizado negro																
	Cromado, Cromado negro																10 2,83 118

Respaldos con reposacabezas

Código	Patas	Revestimiento											pack	m ³	Kg		
		A	B	C	D	E	F	G	H	L1	L2	L3					
T8	Barnizado negro																
	Cromado, Cromado negro																10 3,08 131



TENSO SOFA SYSTEM

Ejemplos de composicion - Sofá recto dcho/izqda

Acabado patas:

Acero barnizado negro (parecido al RAL 9004)

Acero cromado

Acero cromado negro

Acabado revestimiento:

A = Valencia (piel sintética)

B = Field 2, COM (tejido Cliente)

C = Merit, COL (piel del Cliente)

D = Clara 2, Patio, Regal, Remix 2

E = Curmi, Hero, Melange Nap

F = Canvas 2, Scuba, Steelcut Trio 3

G = Divina Melange 3, Hallingdal 65

H = Twill Weave

L1 = Coast (piel flor corregida)

L2 = Elmosoft (piel semi-anilina)

L3 = Elmotique (piel anilina)

Acabado sobre:

Fenix-NTM® negro Ingo 0720 (Es. 10 mm)

Fenix-NTM® borde color (blanco Kos 0032, gris Londres 0718) (Es. 10 mm)

Notas:

DESENFUNDABILIDAD:

Revestimientos desenfundables (*): FIELD 2, COM, CLARA 2, MERIT, CURMI, PATIO, REMIX 2, CANVAS 2, HERO, MELANGE NAP, STEELCUT TRIO 3, DIVINA MELANGE 3, HALLINGDAL 65, REGAL, TWILL WEAVE.
Revestimientos fijos: VALENCIA, COL, SCUBA, COAST, ELMOSOFT, ELMOTIQUE.

(*) El revestimiento es TÉCNICAMENTE DESENFUNDABLE, para garantizar una correcta adherencia debe ser recolocado exclusivamente por personal especializado en tapicería.

Para obtener información sobre las composiciones de los tejidos, ver lado interno de la portada.

Para pedidos COM/COL ver lado interno de la portada.

Consumo COM: 8,6 ml (H. 140 cm).

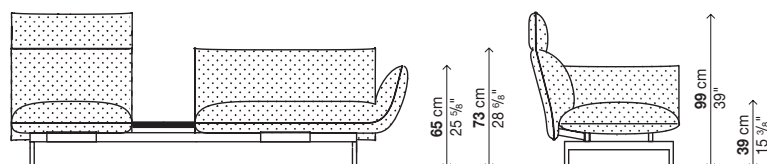
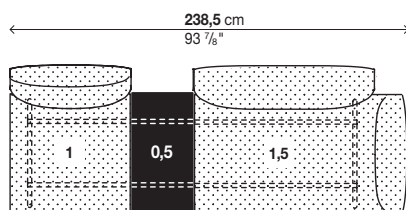
Consumo COL: 14 mq.

Atención: la composición incluye el sobre de mesita en Fenix-NTM®.

Para el sobre piedra "Pietra di Fossena" considerar un recargo de precio de - €.

Embalajes reforzados, ver lado interno de la portada.

Código	Patas	Revestimiento											pack	m ²	Kg			
		A	B	C	D	E	F	G	H	L1	L2	L3						
T9	Barnizado negro															6	1,88	90
	Cromado, Cromado negro																	



TENSO SOFA SYSTEM

Ejemplos de composicion - Butaca lounge dcho/izqda

Acabado patas:

Acero barnizado negro (parecido al RAL 9004)

Acero cromado

Acero cromado negro

Acabado revestimiento:

A = Valencia (piel sintética)

B = Field 2, COM (tejido Cliente)

C = Merit, COL (piel del Cliente)

D = Clara 2, Patio, Regal, Remix 2

E = Curmi, Hero, Melange Nap

F = Canvas 2, Scuba, Steelcut Trio 3

G = Divina Melange 3, Hallingdal 65

H = Twill Weave

L1 = Coast (piel flor corregida)

L2 = Elmosoft (piel semi-anilina)

L3 = Elmotique (piel anilina)

Acabado sobre:

Fenix-NTM® negro Ingo 0720 (Es. 10 mm)

Fenix-NTM® borde color (blanco Kos 0032, gris Londres 0718) (Es. 10 mm)

Notas:

DESENFUNDABILIDAD:

Revestimientos desenfundables (*): FIELD 2, COM, CLARA 2, MERIT, CURMI, PATIO, REMIX 2, CANVAS 2, HERO, MELANGE NAP, STEELCUT TRIO 3, DIVINA MELANGE 3, HALLINGDAL 65, REGAL, TWILL WEAVE. Revestimientos fijos: VALENCIA, COL, SCUBA, COAST, ELMOSOFT, ELMOTIQUE.

(* El revestimiento es TÉCNICAMENTE DESENFUNDABLE, para garantizar una correcta adherencia debe ser recolocado exclusivamente por personal especializado en tapicería.

Para obtener información sobre las composiciones de los tejidos, ver lado interno de la portada.

Para pedidos COM/COL ver lado interno de la portada.

Consumo respaldo sin reposacabezas:

COM: 3,5 ml (H. 140 cm).

COL: 4,9 mq.

Consumo respaldo con reposacabezas:

COM: 3,7 ml (H. 140 cm).

COL: 5,8 mq.

Atención: la composición incluye el sobre de mesita en Fenix-NTM®.

Para el sobre piedra "Pietra di Fossena" considerar un recargo de precio de - €.

Embalajes reforzados, ver lado interno de la portada.

Respaldos sin reposacabezas

Código	Patas	Revestimiento											pack	m ²	Kg			
		A	B	C	D	E	F	G	H	L1	L2	L3						
T10	Barnizado negro																	
	Cromado, Cromado negro																4	0,73

Respaldos con reposacabezas

Código	Patas	Revestimiento											pack	m ²	Kg				
		A	B	C	D	E	F	G	H	L1	L2	L3							
T11	Barnizado negro																		
	Cromado, Cromado negro																4	0,78	51,5

238,5 cm
93 7/8"

