

# DATASHEET

Type: **STARCLOUD**  
Name: Pendant light  
ID: US1343  
Designed by: Lucie Koldová



Download

## Description

These stars project a subtly different optical effect depending on the viewing angle, appearing to variably wax and wane or come to rest in a state of symmetry. Suspended on slender coaxial cables of varying lengths, the delicate handblown glass shades are available in three variants: opaque opaline, pearl pink opaline, and pearl grey opaline.

## Tech. description

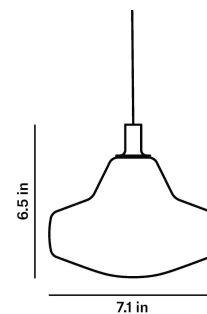
The light comprises a dural fixture with integrated LED module, a diffuser crafted from light-conducting material, and a glass shade. The light is suspended on a coaxial cable from a metal ceiling canopy.



## CONSTRUCTION SPECIFICATION

**Weight:** 4.2 lb  
**Construction material:** glass, metal  
**Cord length [in]:** 86.6  
**Mounting:** Ceiling  
**Environment:** Dry

## DIMENSIONS [in]



## ELECTRICAL SPECIFICATION

**Input voltage [V]:** 100 - 240 V  
**Frequency [Hz]:** 50-60 Hz  
**Max. power [W]:** 3 W  
**Coverage IP:** 20  
**Socket:** -  
**Light source:** LED module  
**Energy class:** E

## CERTIFICATIONS



BROKIS®

BROKIS S.R.O.  
ŠPANILOVA 1315/25  
163 00 PRAHA 6 - ŘEPY  
CZECH REPUBLIC

ORG ID 64940799  
VAT ID CZ64940799  
C 42174 MĚSTSKÝ SOUD  
V PRAZE

TEL +420 567 211 517  
TECHNICAL@BROKIS.CZ  
INFO@BROKIS.CZ  
WWW.BROKIS.CZ

2024\_03  
PAGE 1



**CM17826 LED modul 2,5W 24VDC**  
**optic 60° 2700K PCB5050 2.524 927**

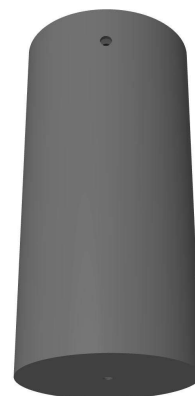
Type	LED module
Lamp wattage [W]	2,5 W
Input voltage [V]	24 VDC
Energy class	E
Flux [lm]	250 lm
Light colour [K]	2700 K
CRI	90+
Dimmable	yes



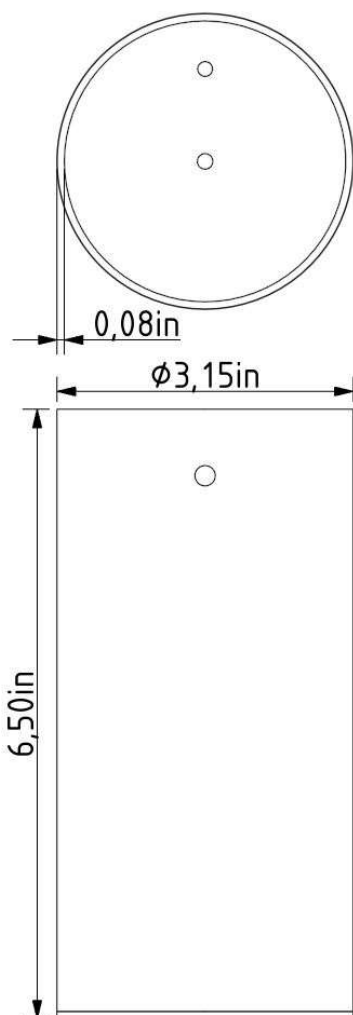


### INNER FIXTURE

Dimensions O x w [in] 1.15 x 6.5 in  
Weight [lb] 2.2 lb  
Material metal



### Drawing



### Hole placement

