

## SHIELD HANGER

---



YEAR: 2012    DESIGNER: JADER ALMEIDA

Available in two sizes and several colors, Scudo hangers are great for setting up compositions. The “oval trapezoidal” shape can be made of wood, lacquer or cork.

### DIMENSIONS

14.5 x 04 x 14.5 cm  
5 <sup>45</sup>/<sub>64</sub> x 1 <sup>37</sup>/<sub>64</sub> x 5 <sup>45</sup>/<sub>64</sub> in

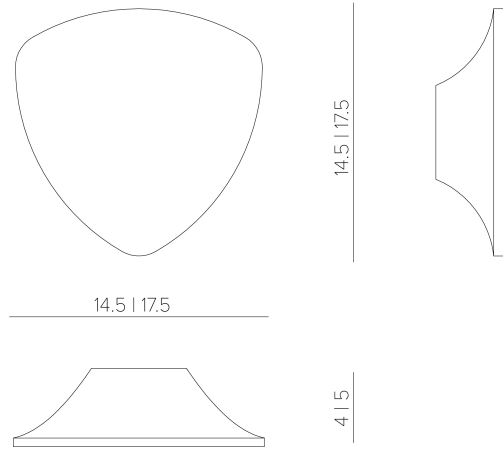
17.5 x 05 x 17.5 cm  
6 <sup>57</sup>/<sub>64</sub> x 1 <sup>31</sup>/<sub>32</sub> x 6 <sup>57</sup>/<sub>64</sub> in

### MATERIALS

Structure in painted wood or cork.

Illustrative picture.

This product is subject to availability by region.



SOLLOS.

Brasil 55 49 36410014

atendimento@sollos.ind.br