

# DATASHEET

Type: **SFERA**  
Name: Pendant light  
ID: US1168  
Designed by: Lucie Koldová



Download

## Description

The Sfera collection, one of the mainstays of the BROKIS portfolio, comprises three shapes and several sizes Sfera lights are designed to meet the needs of projects and the architects and other professionals behind them. The sphere as a universal shape is joined by an oval in two sizes also featuring a dramatically sheared top.



## Tech. description

The Sfera light comprises a metal fixture with G9 socket, metal cover, triplex opal glass shade, and power cable. The light is hung from the power cable anchored within a metal ceiling canopy.

Colours options: [https://brokis.sharepoint.com/:b/s/brokis\\_sp/EVITDmXk3jpLsOMpJN9VwlwBCZ7u5eU96zuRMTMeRTwqFw](https://brokis.sharepoint.com/:b/s/brokis_sp/EVITDmXk3jpLsOMpJN9VwlwBCZ7u5eU96zuRMTMeRTwqFw)

## CONSTRUCTION SPECIFICATION

**Weight:** 2.2 lb  
**Construction material:** glass, metal  
**Cord length [in]:** 78.74 "  
**Mounting:** Ceiling  
**Environment:** Dry

## DIMENSIONS [in]



## ELECTRICAL SPECIFICATION

**Input voltage [V]:** 120 V  
**Frequency [Hz]:** 60 Hz  
**Max. power [W]:** 7 W  
**Coverage IP:** 20  
**Socket:** G9  
**Light source:** -

## CERTIFICATIONS



BROKIS S.R.O.  
ŠPANILOVA 1315/25  
163 00 PRAHA 6 - ŘEPY  
CZECH REPUBLIC

ORG ID 64940799  
VAT ID CZ64940799  
C 42174 MĚSTSKÝ SOUD  
V PRAZE

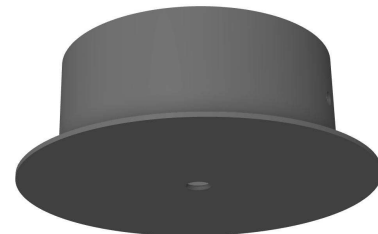
TEL +420 567 211 517  
TECHNICAL@BROKIS.CZ  
INFO@BROKIS.CZ  
WWW.BROKIS.CZ

2023\_11  
PAGE 1

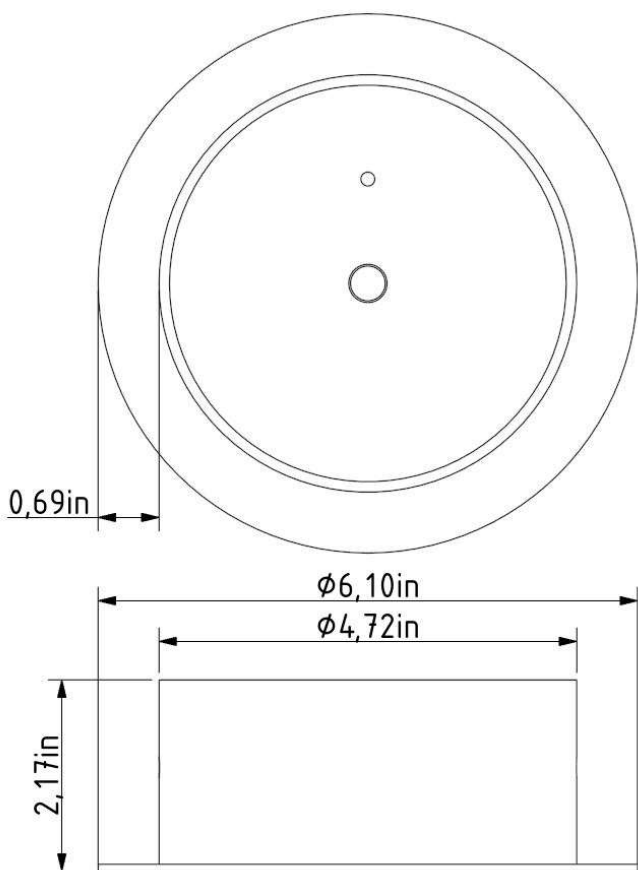


## INNER FIXTURE

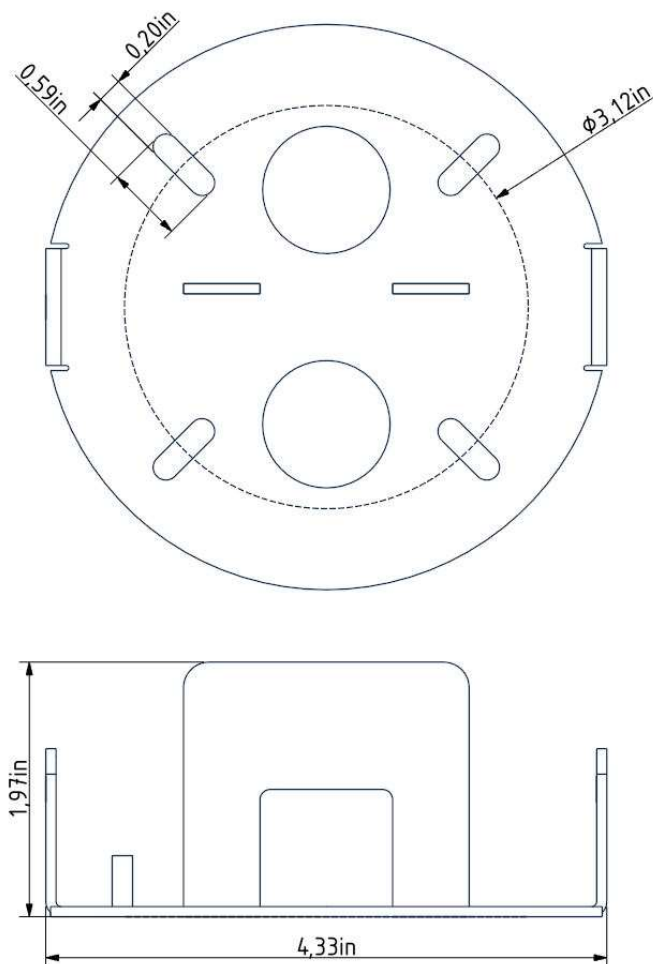
Dimensions O x w [in] 6.1 x 2.17  
Weight [lb] 2 lb  
Material metal



### Drawing



### Hole placement



# DATASHEET

Type: **SFERA**  
Name: Pendant light  
ID: US1246  
Designed by: Lucie Koldová



Download

## Description

The Sfera collection, one of the mainstays of the BROKIS portfolio, comprises three shapes and several sizes Sfera lights are designed to meet the needs of projects and the architects and other professionals behind them. The sphere as a universal shape is joined by an oval in two sizes also featuring a dramatically sheared top.



## Tech. description

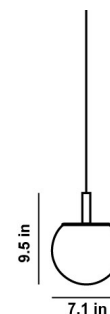
The Sfera light comprises a metal fixture with G9 socket, metal cover, triplex opal glass shade, and power cable. The light is hung from the power cable anchored within a metal ceiling canopy.

Colours options: [https://brokis.sharepoint.com/:b/s/brokis\\_sp/Edq--MwAAN1BiXUcqsqHFToB57NeBySa\\_257\\_odiLna2Ug](https://brokis.sharepoint.com/:b/s/brokis_sp/Edq--MwAAN1BiXUcqsqHFToB57NeBySa_257_odiLna2Ug)

## CONSTRUCTION SPECIFICATION

**Weight:** 2.65 lb  
**Construction material:** glass, metal  
**Cord length [in]:** 78.74 "  
**Mounting:** Ceiling  
**Environment:** Dry

## DIMENSIONS [in]



## ELECTRICAL SPECIFICATION

**Input voltage [V]:** 120 V  
**Frequency [Hz]:** 60 Hz  
**Max. power [W]:** 7 W  
**Coverage IP:** 20  
**Socket:** G9  
**Light source:** -

## CERTIFICATIONS



BROKIS S.R.O.  
ŠPANILOVA 1315/25  
163 00 PRAHA 6 - ŘEPY  
CZECH REPUBLIC

ORG ID 64940799  
VAT ID CZ64940799  
C 42174 MĚSTSKÝ SOUD  
V PRAZE

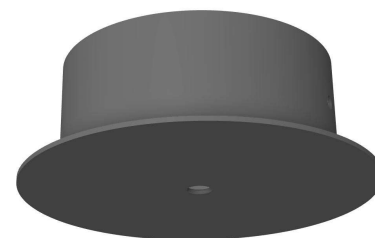
TEL +420 567 211 517  
TECHNICAL@BROKIS.CZ  
INFO@BROKIS.CZ  
WWW.BROKIS.CZ

2023\_11  
PAGE 1

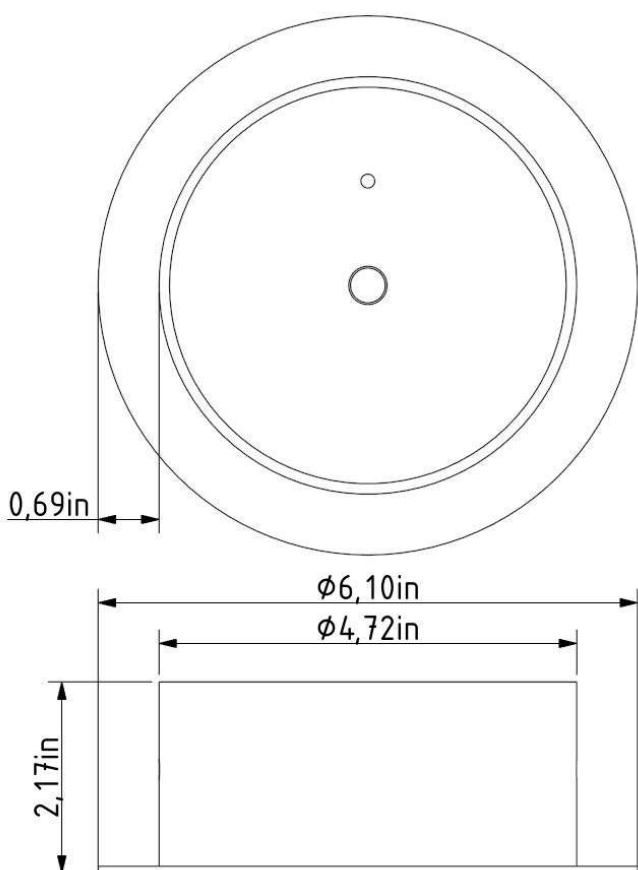


## INNER FIXTURE

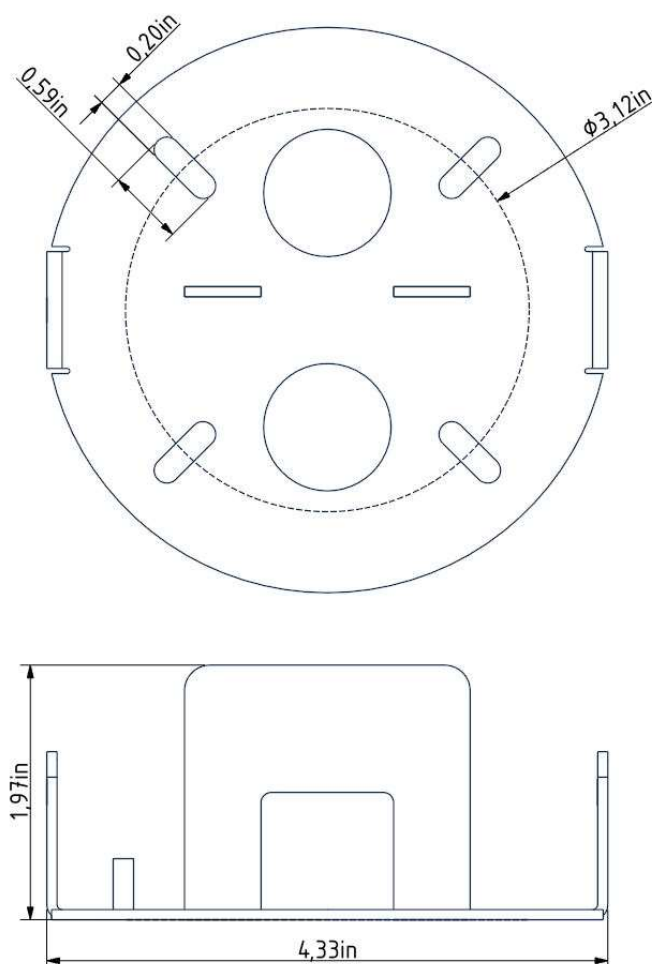
Dimensions O x w [in] 6.1 x 2.17  
Weight [lb] 2 lb  
Material metal



### Drawing



### Hole placement



# DATASHEET

Type: **SFERA**  
Name: Pendant light  
ID: US1247  
Designed by: Lucie Koldová



Download

## Description

The Sfera collection, one of the mainstays of the BROKIS portfolio, comprises three shapes and several sizes Sfera lights are designed to meet the needs of projects and the architects and other professionals behind them. The sphere as a universal shape is joined by an oval in two sizes also featuring a dramatically sheared top.



## Tech. description

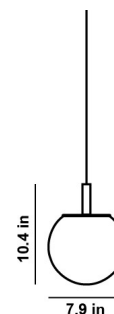
The Sfera light comprises a metal fixture with G9 socket, metal cover, triplex opal glass shade, and power cable. The light is hung from the power cable anchored within a metal ceiling canopy.

Colours options: [https://brokis.sharepoint.com/:b/s/brokis\\_sp/EaBQXEzg6JNAKI-tEchdDC0BtLmEENLWte6fZQR0gC4rTw](https://brokis.sharepoint.com/:b/s/brokis_sp/EaBQXEzg6JNAKI-tEchdDC0BtLmEENLWte6fZQR0gC4rTw)

## CONSTRUCTION SPECIFICATION

**Weight:** 3.3 lb  
**Construction material:** glass, metal  
**Cord length [in]:** 78.74 "  
**Mounting:** Ceiling  
**Environment:** Dry

## DIMENSIONS [in]



## ELECTRICAL SPECIFICATION

**Input voltage [V]:** 120 V  
**Frequency [Hz]:** 60 Hz  
**Max. power [W]:** 7 W  
**Coverage IP:** 20  
**Socket:** G9  
**Light source:** -

## CERTIFICATIONS



BROKIS S.R.O.  
ŠPANILOVA 1315/25  
163 00 PRAHA 6 - ŘEPY  
CZECH REPUBLIC

ORG ID 64940799  
VAT ID CZ64940799  
C 42174 MĚSTSKÝ SOUD  
V PRAZE

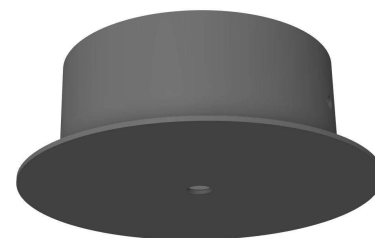
TEL +420 567 211 517  
TECHNICAL@BROKIS.CZ  
INFO@BROKIS.CZ  
WWW.BROKIS.CZ

2023\_11  
PAGE 1

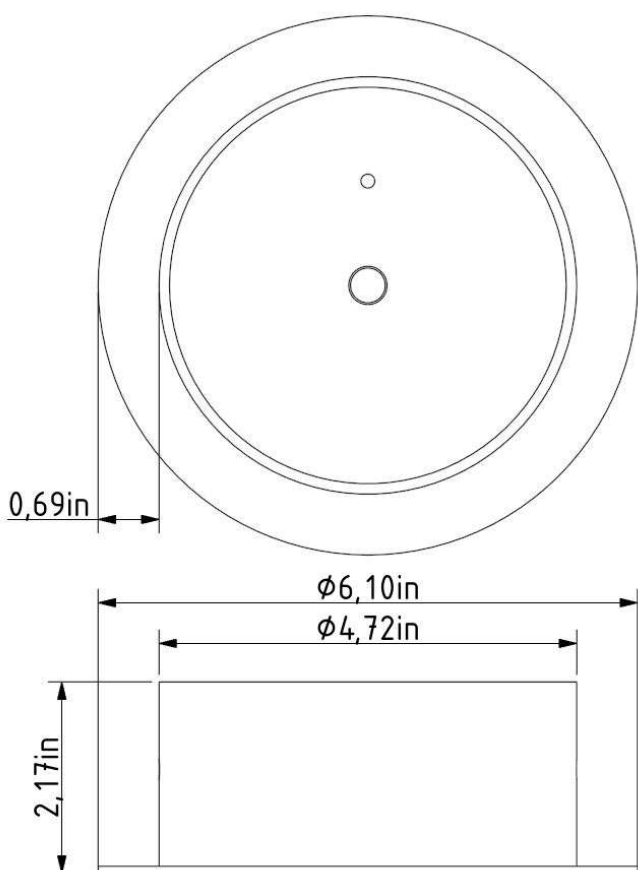


## INNER FIXTURE

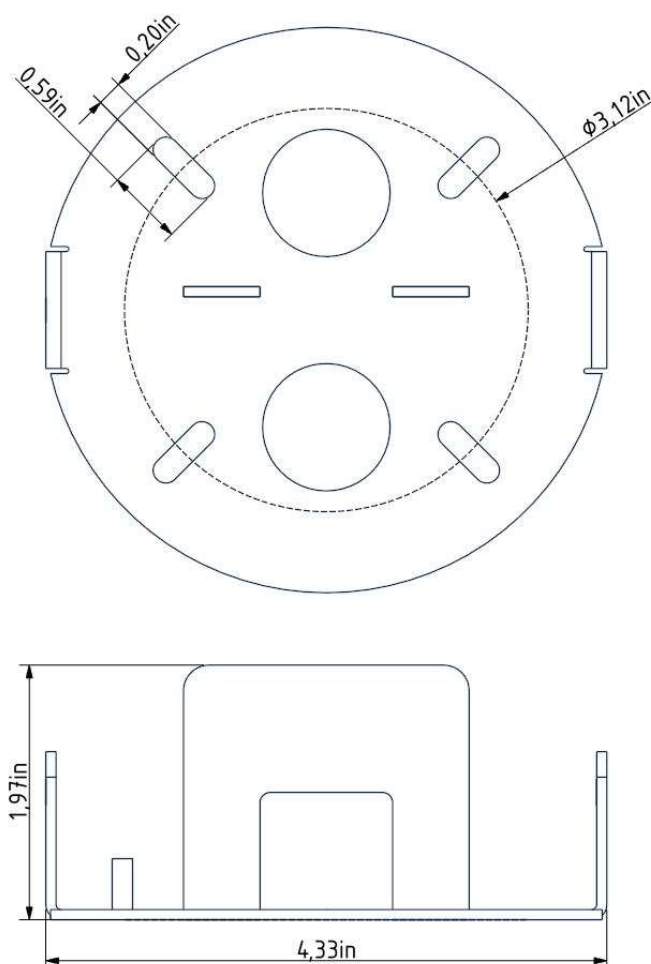
Dimensions O x w [in] 6.1 x 2.17  
Weight [lb] 2 lb  
Material metal



### Drawing



### Hole placement



# DATASHEET

Type: **SFERA**  
Name: Pendant light  
ID: US1169  
Designed by: Lucie Koldová



Download

## Description

The Sfera collection, one of the mainstays of the BROKIS portfolio, comprises three shapes and several sizes Sfera lights are designed to meet the needs of projects and the architects and other professionals behind them. The sphere as a universal shape is joined by an oval in two sizes also featuring a dramatically sheared top.

## Tech. description

The Sfera light comprises a metal fixture with E26 socket, metal cover, triplex opal glass shade, and power cable. The light is hung from the power cable anchored within a metal ceiling canopy.

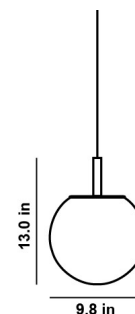


Colours options: [https://brokis.sharepoint.com/:b:/s/brokis\\_sp/EXWf-NRYHNIFspCaAAyhABsBHmL1Qm8ccIT\\_NfQrTEP9OA](https://brokis.sharepoint.com/:b:/s/brokis_sp/EXWf-NRYHNIFspCaAAyhABsBHmL1Qm8ccIT_NfQrTEP9OA)

## CONSTRUCTION SPECIFICATION

**Weight:** 7.17 lb  
**Construction material:** glass, metal  
**Cord length [in]:** 78.74 "  
**Mounting:** Ceiling  
**Environment:** Dry

## DIMENSIONS [in]



## ELECTRICAL SPECIFICATION

**Input voltage [V]:** 120 V  
**Frequency [Hz]:** 60 Hz  
**Max. power [W]:** 7 W  
**Coverage IP:** 20  
**Socket:** E26  
**Light source:** -

## CERTIFICATIONS



BROKIS S.R.O.  
ŠPANILOVA 1315/25  
163 00 PRAHA 6 - ŘEPY  
CZECH REPUBLIC

ORG ID 64940799  
VAT ID CZ64940799  
C 42174 MĚSTSKÝ SOUD  
V PRAZE

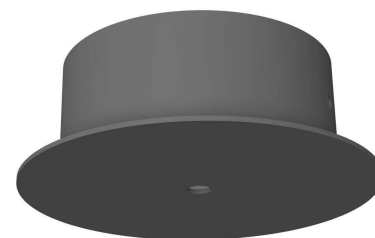
TEL +420 567 211 517  
TECHNICAL@BROKIS.CZ  
INFO@BROKIS.CZ  
WWW.BROKIS.CZ

2023\_11  
PAGE 1

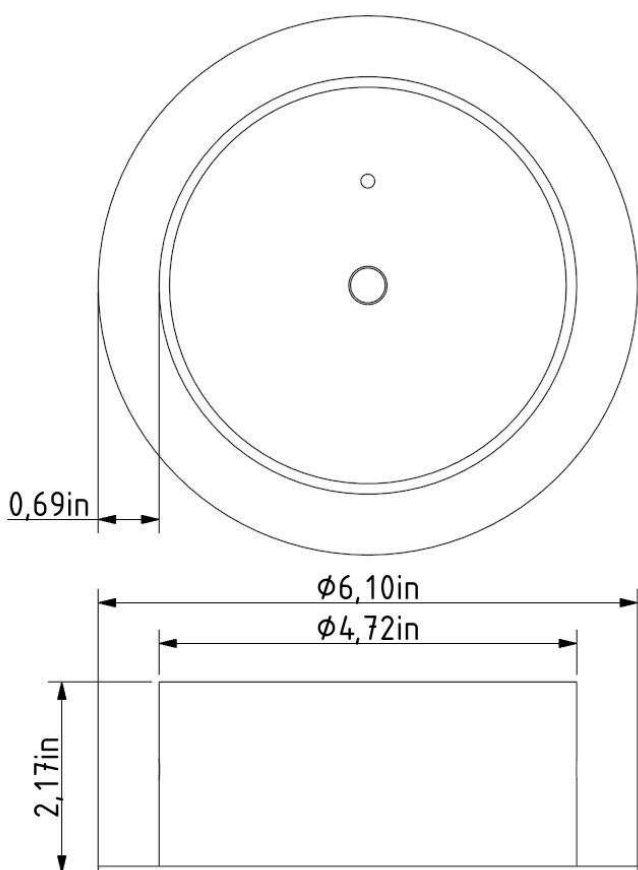


## INNER FIXTURE

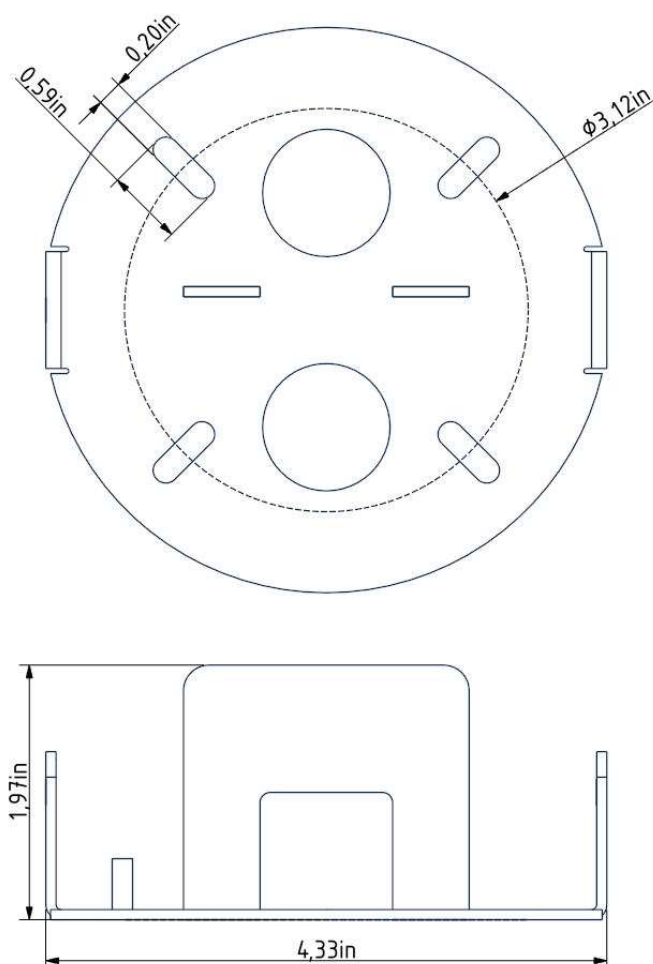
Dimensions O x w [in] 6.1 x 2.17  
Weight [lb] 2 lb  
Material metal



### Drawing



### Hole placement





# DATASHEET

Type: **SFERA**  
Name: Pendant light  
ID: US1170  
Designed by: Lucie Koldová



Download

## Description

The Sfera collection, one of the mainstays of the BROKIS portfolio, comprises three shapes and several sizes Sfera lights are designed to meet the needs of projects and the architects and other professionals behind them. The sphere as a universal shape is joined by an oval in two sizes also featuring a dramatically sheared top.



## Tech. description

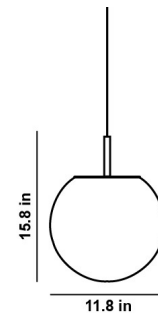
The Sfera light comprises a metal fixture with E26 socket, metal cover, triplex opal glass shade, and power cable. The light is hung from the power cable anchored within a metal ceiling canopy.

Colours options: [https://brokis.sharepoint.com/:b/s/brokis\\_sp/ES1cAJreetllq19qzXIDPVwBiaRhZ XU8KCGyf-wqAlorWQ](https://brokis.sharepoint.com/:b/s/brokis_sp/ES1cAJreetllq19qzXIDPVwBiaRhZ XU8KCGyf-wqAlorWQ)

## CONSTRUCTION SPECIFICATION

**Weight:** 8.82 lb  
**Construction material:** glass, metal  
**Cord length [in]:** 78.74 "  
**Mounting:** Ceiling  
**Environment:** Dry

## DIMENSIONS [in]



## ELECTRICAL SPECIFICATION

**Input voltage [V]:** 120 V  
**Frequency [Hz]:** 60 Hz  
**Max. power [W]:** 7 W  
**Coverage IP:** 20  
**Socket:** E26  
**Light source:** -

## CERTIFICATIONS



BROKIS®

BROKIS S.R.O.  
ŠPANILOVA 1315/25  
163 00 PRAHA 6 - ŘEPY  
CZECH REPUBLIC

ORG ID 64940799  
VAT ID CZ64940799  
C 42174 MĚSTSKÝ SOUD  
V PRAZE

TEL +420 567 211 517  
TECHNICAL@BROKIS.CZ  
INFO@BROKIS.CZ  
WWW.BROKIS.CZ

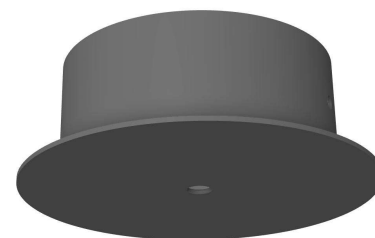
2022\_11

PAGE 1

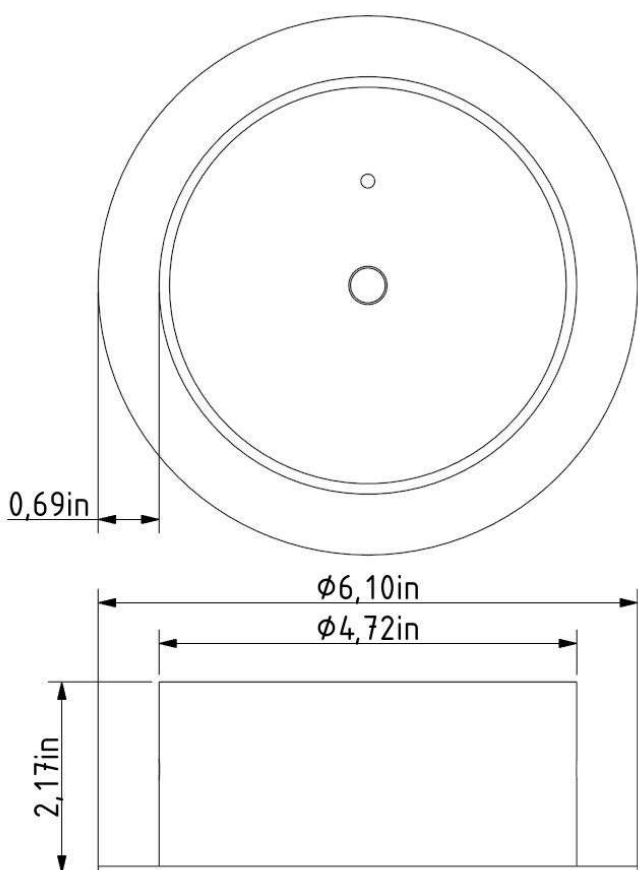


## INNER FIXTURE

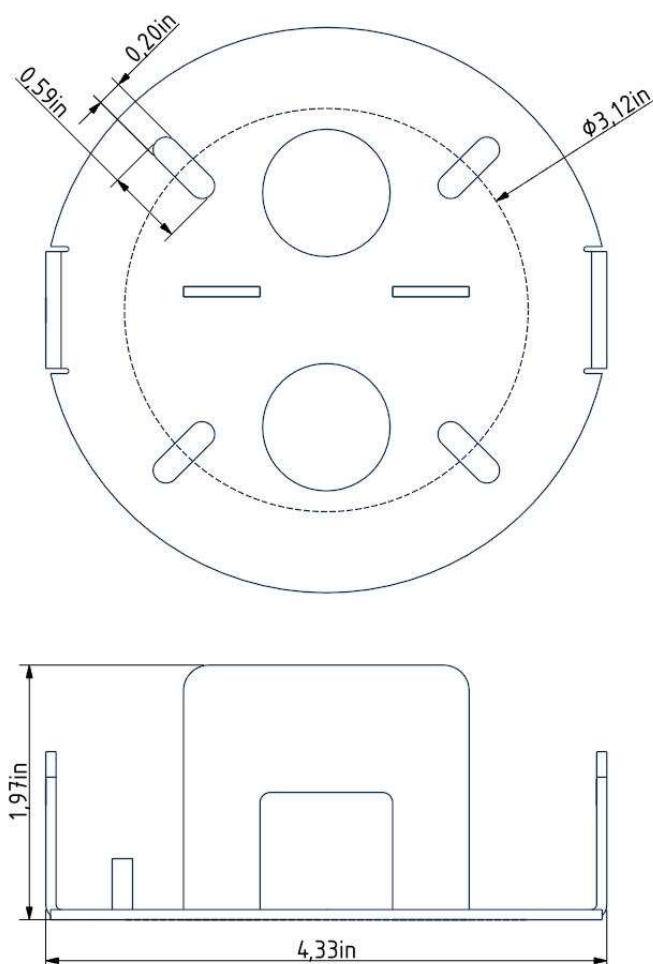
Dimensions O x w [in] 6.1 x 2.17  
Weight [lb] 2 lb  
Material metal



### Drawing



### Hole placement



# DATASHEET

Type: **SFERA**  
Name: Pendent light  
ID: US1171  
Designed by: Lucie Koldová



Download

## Description

The Sfera collection, one of the mainstays of the BROKIS portfolio, comprises three shapes and several sizes Sfera lights are designed to meet the needs of projects and the architects and other professionals behind them. The sphere as a universal shape is joined by an oval in two sizes also featuring a dramatically sheared top.

## Tech. description

The Sfera light comprises a metal fixture with E26 socket, metal cover, triplex opal glass shade, and power cable. The light is hung from the power cable anchored within a metal ceiling canopy.

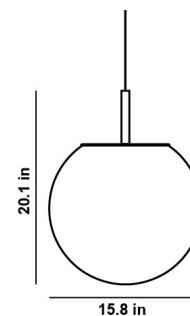


Colours options: [https://brokis.sharepoint.com/:b:/s/brokis\\_sp/ETkfiYt9WNOgSrze01TwCIB9cKq87s8ibHhXD6LaBjdQA](https://brokis.sharepoint.com/:b:/s/brokis_sp/ETkfiYt9WNOgSrze01TwCIB9cKq87s8ibHhXD6LaBjdQA)

## CONSTRUCTION SPECIFICATION

**Weight:** 11 lb  
**Construction material:** glass, metal  
**Cord length [in]:** 78.74 "  
**Mounting:** Ceiling  
**Environment:** Dry

## DIMENSIONS [in]



## ELECTRICAL SPECIFICATION

**Input voltage [V]:** 120 V  
**Frequency [Hz]:** 60 Hz  
**Max. power [W]:** 7 W  
**Coverage IP:** 20  
**Socket:** E26  
**Light source:** -

## CERTIFICATIONS



BROKIS S.R.O.  
ŠPANILOVA 1315/25  
163 00 PRAHA 6 - ŘEPY  
CZECH REPUBLIC

ORG ID 64940799  
VAT ID CZ64940799  
C 42174 MĚSTSKÝ SOUD  
V PRAZE

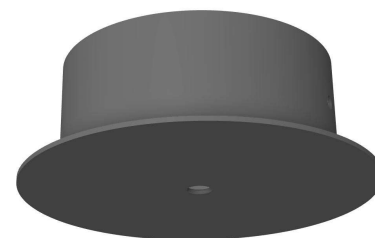
TEL +420 567 211 517  
TECHNICAL@BROKIS.CZ  
INFO@BROKIS.CZ  
WWW.BROKIS.CZ

2023\_11  
PAGE 1

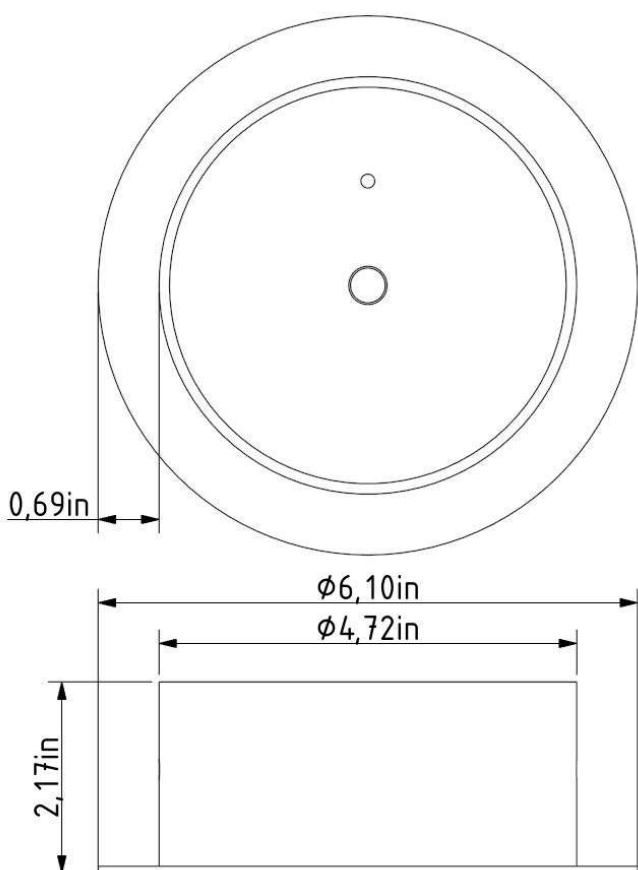


## INNER FIXTURE

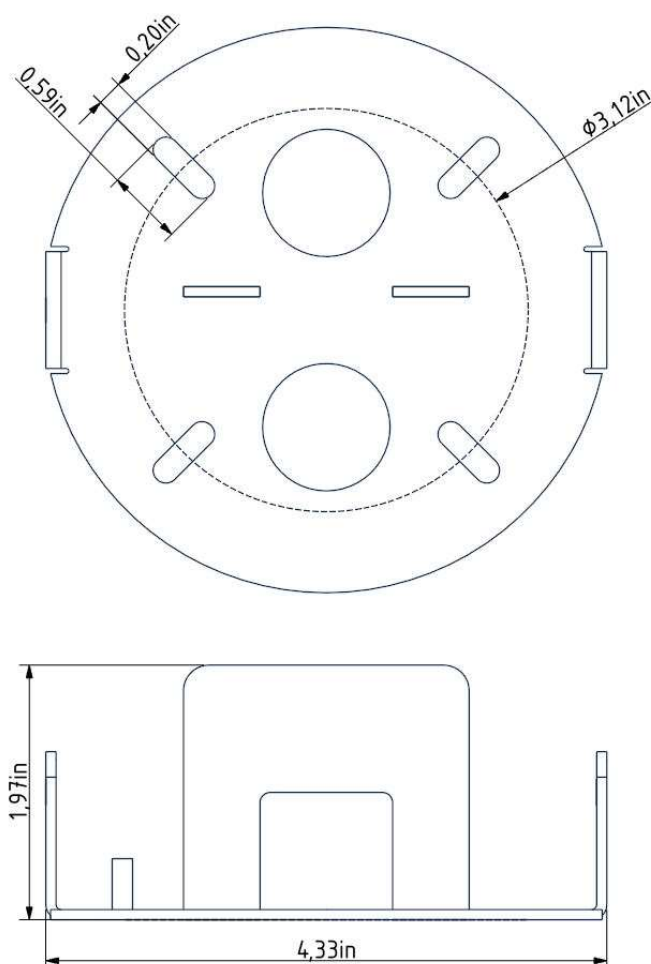
Dimensions O x w [in] 6.1 x 2.17  
Weight [lb] 2 lb  
Material metal



### Drawing



### Hole placement



# DATASHEET

Type: **SFERA**  
Name: Pendent light  
ID: US1172  
Designed by: Lucie Koldová



Download

## Description

The Sfera collection, one of the mainstays of the BROKIS portfolio, comprises three shapes and several sizes. Sfera lights are designed to meet the needs of projects and the architects and other professionals behind them. The sphere as a universal shape is joined by an oval in two sizes also featuring a dramatically sheared top.

## Tech. description

The Sfera light comprises a metal fixture with E26 socket, metal cover, triplex opal glass shade, and power cable. The light is hung from three stainless-steel wire ropes anchored within a metal ceiling canopy.

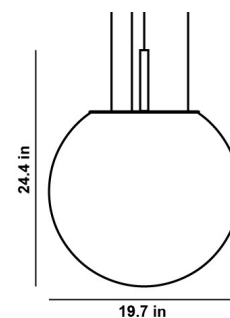


Colours options: [https://brokis.sharepoint.com/:b:/s/brokis\\_sp/EX6diQ6XIVZGt6nqnNVcEOQBdBfKQ0vjTfWcxIIUTOXRdw](https://brokis.sharepoint.com/:b:/s/brokis_sp/EX6diQ6XIVZGt6nqnNVcEOQBdBfKQ0vjTfWcxIIUTOXRdw)

## CONSTRUCTION SPECIFICATION

**Weight:** 18.87 lb  
**Construction material:** glass, metal  
**Cord length [in]:** 78.74 "  
**Mounting:** Ceiling  
**Environment:** Dry

## DIMENSIONS [in]



## ELECTRICAL SPECIFICATION

**Input voltage [V]:** 120 V  
**Frequency [Hz]:** 60 Hz  
**Max. power [W]:** 7 W  
**Coverage IP:** 20  
**Socket:** E26  
**Light source:** -

## CERTIFICATIONS



BROKIS S.R.O.  
ŠPANILOVA 1315/25  
163 00 PRAHA 6 - ŘEPY  
CZECH REPUBLIC

ORG ID 64940799  
VAT ID CZ64940799  
C 42174 MĚSTSKÝ SOUD  
V PRAZE

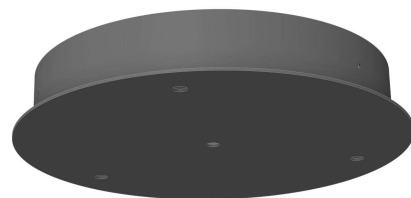
TEL +420 567 211 517  
TECHNICAL@BROKIS.CZ  
INFO@BROKIS.CZ  
WWW.BROKIS.CZ

2023\_11  
PAGE 1

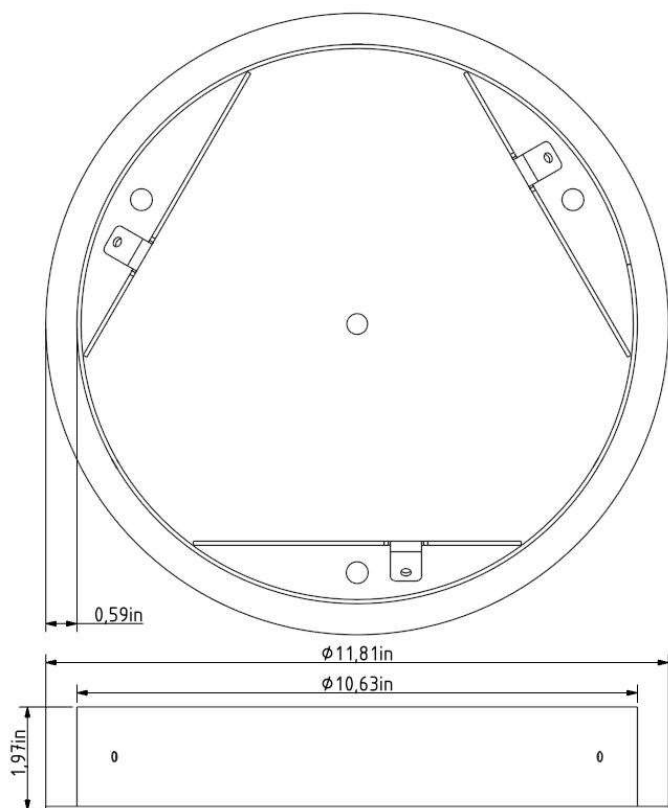


### INNER FIXTURE

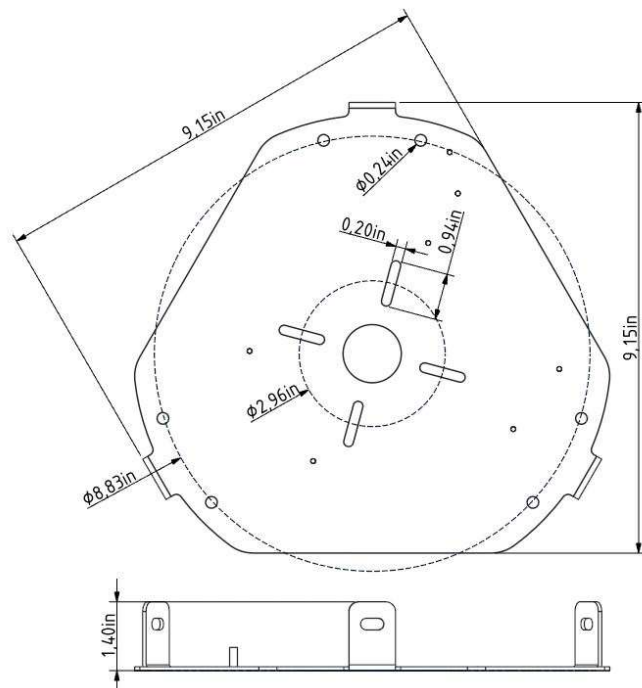
Dimensions O x w [in] 11.81 x 1.97  
Weight [lb] 5.7 lb  
Material metal



### Drawing



### Hole placement



# DATASHEET

Type: **SFERA**  
Name: Pendent light  
ID: US1284  
Designed by:



Download

## Description

The Sfera collection, one of the mainstays of the BROKIS portfolio, comprises three shapes and several sizes Sfera lights are designed to meet the needs of projects and the architects and other professionals behind them. The sphere as a universal shape is joined by an oval in two sizes also featuring a dramatically sheared top.

## Tech. description

The Sfera light comprises a metal fixture with E26 socket, metal cover, triplex opal glass shade, and power cable. The light is hung from three stainless-steel wire ropes anchored within a metal ceiling canopy.

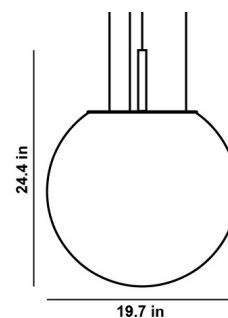


Colours options: [https://brokis.sharepoint.com/:b:/s/brokis\\_sp/ER7SQ114o09AqNvma7c5F2gBjX0sbPIOEzRjvI6hDIpekQ](https://brokis.sharepoint.com/:b:/s/brokis_sp/ER7SQ114o09AqNvma7c5F2gBjX0sbPIOEzRjvI6hDIpekQ)

## CONSTRUCTION SPECIFICATION

**Weight:** 25 lb  
**Construction material:** glass, metal  
**Cord length [mm]:** 2,000 mm  
**Mounting:** Ceiling  
**Environment:** Dry

## DIMENSIONS [in]



## ELECTRICAL SPECIFICATION

**Input voltage [V]:** 120 V  
**Frequency [Hz]:** 60 Hz  
**Max. power [W]:** 7 W  
**Coverage IP:** 20  
**Socket:** E26  
**Light source:** -

## CERTIFICATIONS



BROKIS S.R.O.  
ŠPANILOVA 1315/25  
163 00 PRAHA 6 - ŘEPY  
CZECH REPUBLIC

ORG ID 64940799  
VAT ID CZ64940799  
C 42174 MĚSTSKÝ SOUD  
V PRAZE

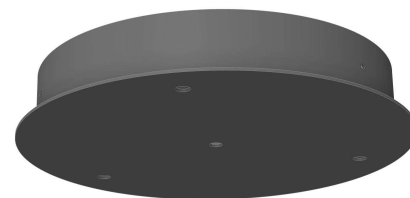
TEL +420 567 211 517  
TECHNICAL@BROKIS.CZ  
INFO@BROKIS.CZ  
WWW.BROKIS.CZ

2022\_11  
PAGE 1

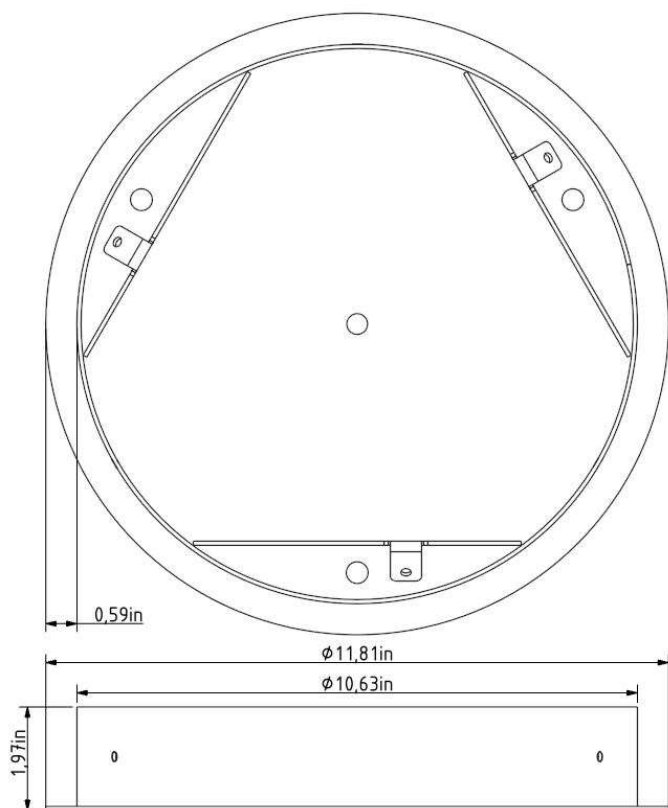


### INNER FIXTURE

Dimensions O x w [in] 11.81 x 1.97  
Weight [lb] 5.7 lb  
Material metal



### Drawing



### Hole placement

