

RUHS PANCA

Kris Ruhs

cappellini



Little bench with frame in satin nickel. Available with top in satin nickel sticks or in polished lacquer wood in the colors of the collection.

Materials used_

Structure:

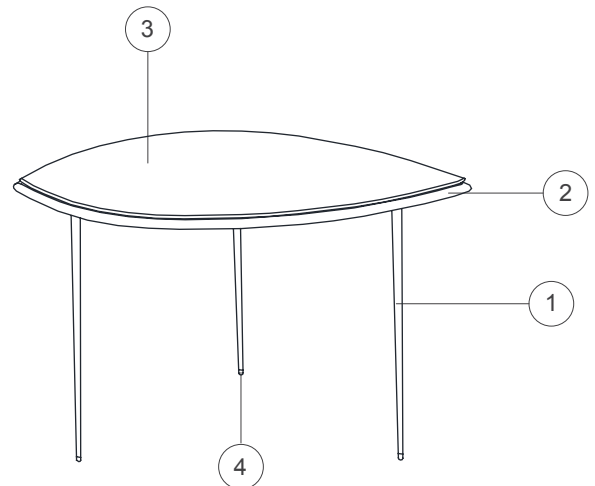
1. Conical tube in nickel satin polished
2. Tube in nickel satin polished

Top:

3. Rod in satin nickel polished or Panel conglomerate of high-density wood fiber in glossy listed in the price list

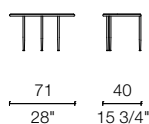
Feet:

4. Black rubber



Dimensions_

KR_13L



KR_13

