

DATASHEET

Type: **PURO SOLO**
Name: Pendant light
ID: US1155
Designed by: Lucie Koldová



Download

Description

Puro is a boldly minimalistic variation on the atmospheric pendant light. Inspiration for the collection and its name comes from the Spanish word for cigar 'puro', which also alludes to the clean lines of the composition.



Tech. description

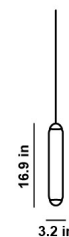
The light comprises a glass tube, LED source, and dural end caps for a compact visage. The assembly is attached to the ceiling canopy by means of the power cord fitted with a Brokis connector.

Colours options: https://brokis.sharepoint.com/:b/s/brokis_sp/EXx6dAhInC9Bgtl-neG_WNYBCzYFTIKG_r3ktYa8xiZq4A

CONSTRUCTION SPECIFICATION

Weight: 6.17 lb
Construction material: glass, metal
Cord length [in]: 86.61 "
Mounting: Ceiling
Environment: Dry

DIMENSIONS [in]



ELECTRICAL SPECIFICATION

Input voltage [V]: 100 - 240 V
Frequency [Hz]: 50-60 Hz
Max. power [W]: 11 W LED
Coverage IP: 20
Socket: -
Light source: non-user replaceable LED module

CERTIFICATIONS



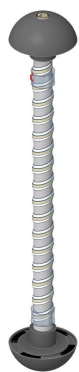
BROKIS®

BROKIS S.R.O.
ŠPANILOVA 1315/25
163 00 PRAHA 6 - ŘEPY
CZECH REPUBLIC

ORG ID 64940799
VAT ID CZ64940799
C 42174 MĚSTSKÝ SOUD
V PRAZE

TEL +420 567 211 517
TECHNICAL@BROKIS.CZ
INFO@BROKIS.CZ
WWW.BROKIS.CZ

2022_05
PAGE 1



CP14440

Type	LED module
Lamp wattage [W]	7 W
Input voltage [V]	24 VDC
Energy class	E
Flux [lm]	595 lm
Light colour [K]	2700 K
CRI	90+
Lifespan [h]	20000h
Dimmable	yes (PWM)



CP14442

Type	LED module
Lamp wattage [W]	7 W
Input voltage [V]	24 VDC
Energy class	E
Flux [lm]	659 lm
Light colour [K]	4000 K
CRI	90+
Lifespan [h]	20000h
Dimmable	yes (PWM)



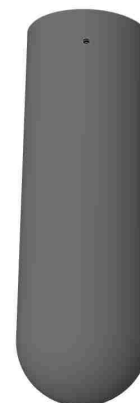
CP14444

Type	LED module
Lamp wattage [W]	7 W
Input voltage [V]	24 VDC
Energy class	E
Flux [lm]	705 lm
Light colour [K]	5000 K
CRI	90+
Lifespan [h]	20000h
Dimmable	yes (PWM)

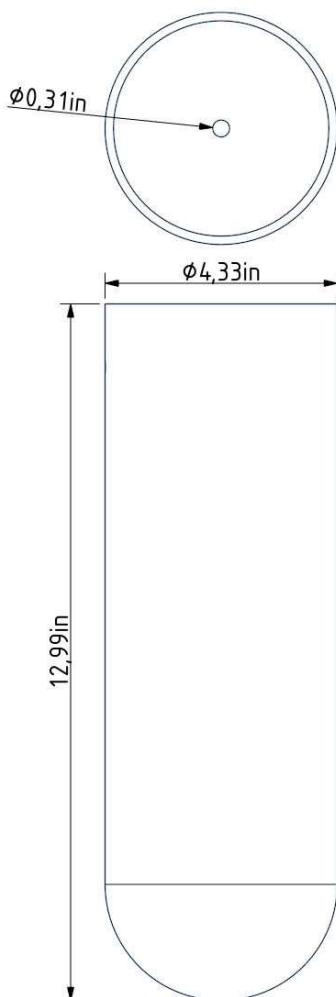


INNER FIXTURE

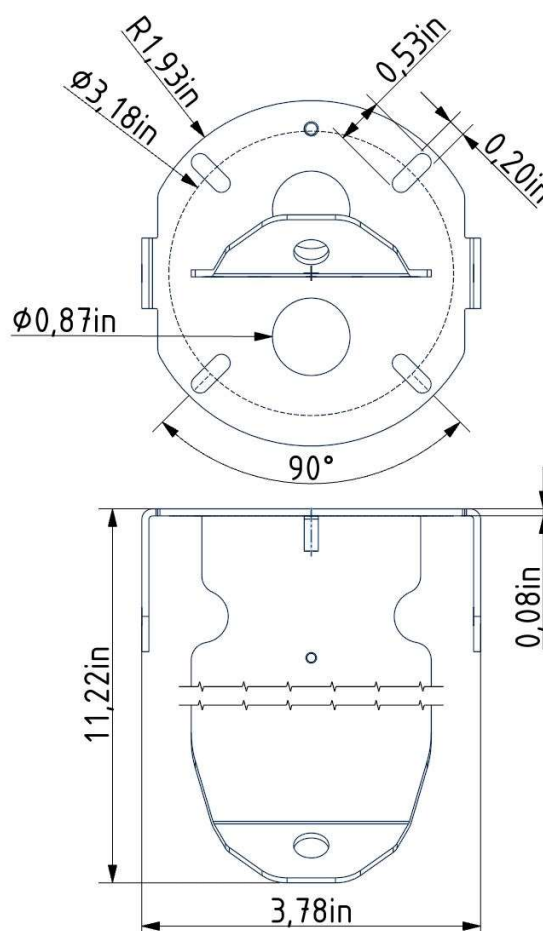
Dimensions O x w [in] 4.33 x 12.99
Weight [lb] 3 lb
Material metal, glass



Drawing



Hole placement



DATASHEET

Type: **PURO SOLO**
Name: Pendant light
ID: US1122
Designed by: Lucie Koldová



Download

Description

Puro is a boldly minimalistic variation on the atmospheric pendant light. Inspiration for the collection and its name comes from the Spanish word for cigar 'puro', which also alludes to the clean lines of the composition.



Tech. description

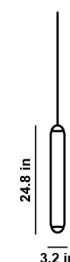
The light comprises a glass tube, LED source, and dural end caps for a compact visage. The assembly is attached to the ceiling canopy by means of the power cord fitted with a Brokis connector.

Colours options: https://brokis.sharepoint.com/:b:/s/brokis_sp/EZBIZjScF11loSOZilu4eaoB1Bzx8sSNW2ZwNzeYeyOI4Q

CONSTRUCTION SPECIFICATION

Weight: 7 lb
Construction material: glass, metal
Cord length [in]: 86.61 "
Mounting: Ceiling
Environment: Dry

DIMENSIONS [in]



ELECTRICAL SPECIFICATION

Input voltage [V]: 100 - 240 V
Frequency [Hz]: 50-60 Hz
Max. power [W]: 13 W LED
Coverage IP: 20
Socket: -
Light source: non-user replaceable LED module

CERTIFICATIONS



BROKIS S.R.O.
ŠPANILOVA 1315/25
163 00 PRAHA 6 - ŘEPY
CZECH REPUBLIC

ORG ID 64940799
VAT ID CZ64940799
C 42174 MĚSTSKÝ SOUD
V PRAZE

TEL +420 567 211 517
TECHNICAL@BROKIS.CZ
INFO@BROKIS.CZ
WWW.BROKIS.CZ

2022_05
PAGE 1



CP12139

Type	LED module
Lamp wattage [W]	13 W
Input voltage [V]	24 VDC
Energy class	E
Flux [lm]	1105 lm
Light colour [K]	2700 K
CRI	90+
Lifespan [h]	20000h
Dimmable	yes (PWM)



CP12141

Type	LED module
Lamp wattage [W]	13 W
Input voltage [V]	24 VDC
Energy class	E
Flux [lm]	1220 lm
Light colour [K]	4000 K
CRI	90+
Lifespan [h]	20000h
Dimmable	yes (PWM)



CP12143

Type	LED module
Lamp wattage [W]	13 W
Input voltage [V]	24 VDC
Energy class	E
Flux [lm]	1300 lm
Light colour [K]	5000 K
CRI	90+
Lifespan [h]	20000h
Dimmable	yes (PWM)

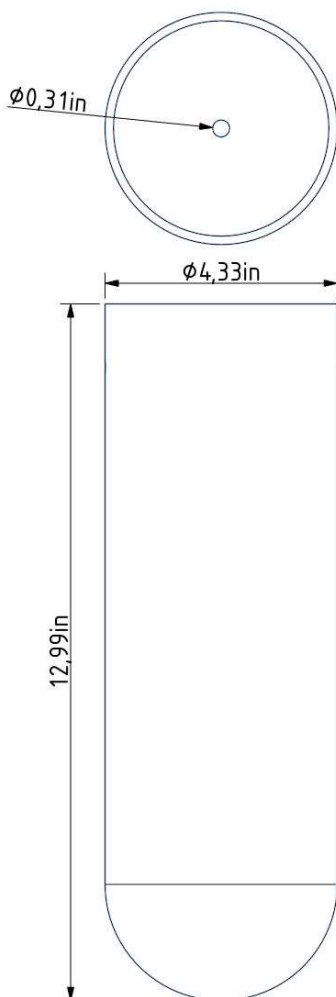


INNER FIXTURE

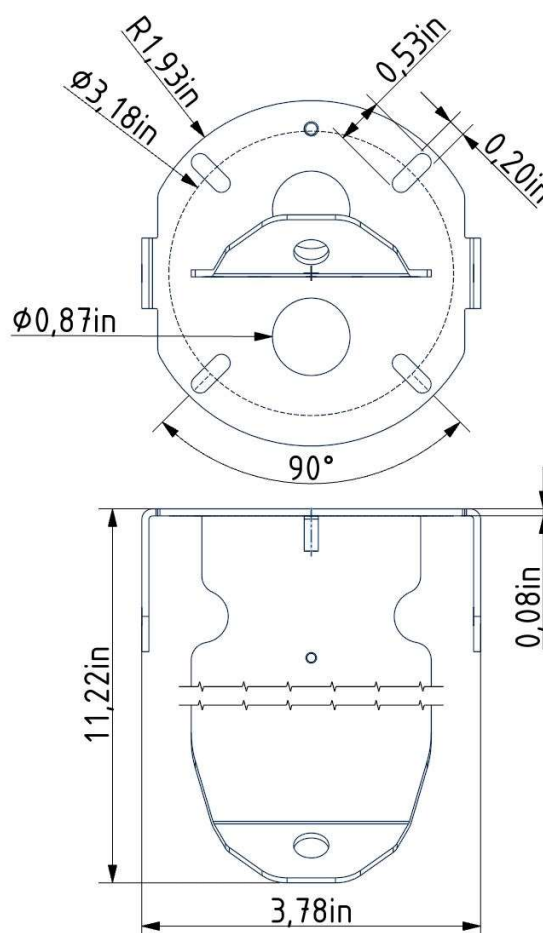
Dimensions O x w [in] 4.33 x 12.99
Weight [lb] 3 lb
Material metal, glass



Drawing



Hole placement



DATASHEET

Type: **PURO SOLO**
Name: Pendent light
ID: US1123
Designed by: Lucie Koldová



Download

Description

Puro is a boldly minimalistic variation on the atmospheric pendent light. Inspiration for the collection and its name comes from the Spanish word for cigar 'puro', which also alludes to the clean lines of the composition.



Tech. description

The light comprises a glass tube, LED source, and dural end caps for a compact visage. The assembly is attached to the ceiling canopy by means of the power cord fitted with a Brokis connector.

Colours options: https://brokis.sharepoint.com/:b:/s/brokis_sp/EUZznlg0ShNAuhdAv340gf4BbK-PbwCaAtstxLBcaYRxWQ

CONSTRUCTION SPECIFICATION

Weight: 8.16 lb
Construction material: glass, metal
Cord length [in]: 86.61 "
Mounting: Ceiling
Environment: Dry

DIMENSIONS [in]



ELECTRICAL SPECIFICATION

Input voltage [V]: 100 - 240 V
Frequency [Hz]: 50-60 Hz
Max. power [W]: 18 W LED
Coverage IP: 20
Socket: -
Light source: non-user replaceable LED module

CERTIFICATIONS



BROKIS®

BROKIS S.R.O.
ŠPANILOVA 1315/25
163 00 PRAHA 6 - ŘEPY
CZECH REPUBLIC

ORG ID 64940799
VAT ID CZ64940799
C 42174 MĚSTSKÝ SOUD
V PRAZE

TEL +420 567 211 517
TECHNICAL@BROKIS.CZ
INFO@BROKIS.CZ
WWW.BROKIS.CZ

2022_05
PAGE 1



CP12145

Type	LED module
Lamp wattage [W]	18 W
Input voltage [V]	24 VDC
Energy class	E
Flux [lm]	1530 lm
Light colour [K]	2700 K
CRI	90+
Lifespan [h]	20000h
Dimmable	yes (PWM)



CP12147

Type	LED module
Lamp wattage [W]	18 W
Input voltage [V]	24 VDC
Energy class	E
Flux [lm]	1695 lm
Light colour [K]	4000 K
CRI	90+
Lifespan [h]	20000h
Dimmable	yes (PWM)



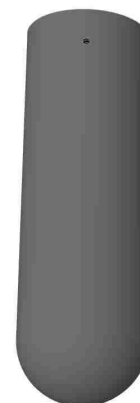
CP12149

Type	LED module
Lamp wattage [W]	18 W
Input voltage [V]	24 VDC
Energy class	E
Flux [lm]	1810 lm
Light colour [K]	5000 K
CRI	90+
Lifespan [h]	20000h
Dimmable	yes (PWM)

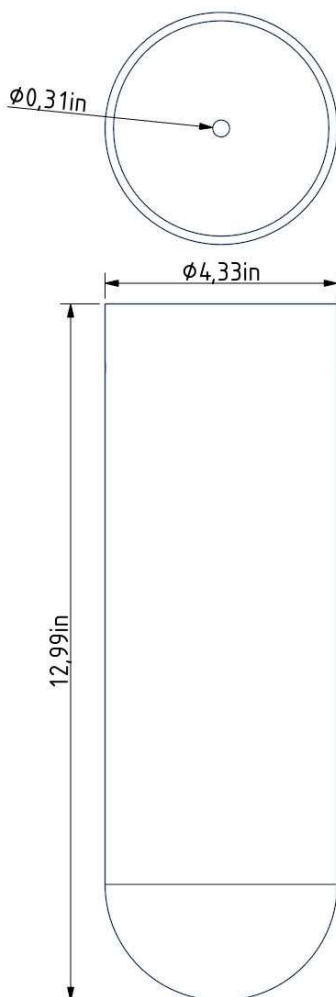


INNER FIXTURE

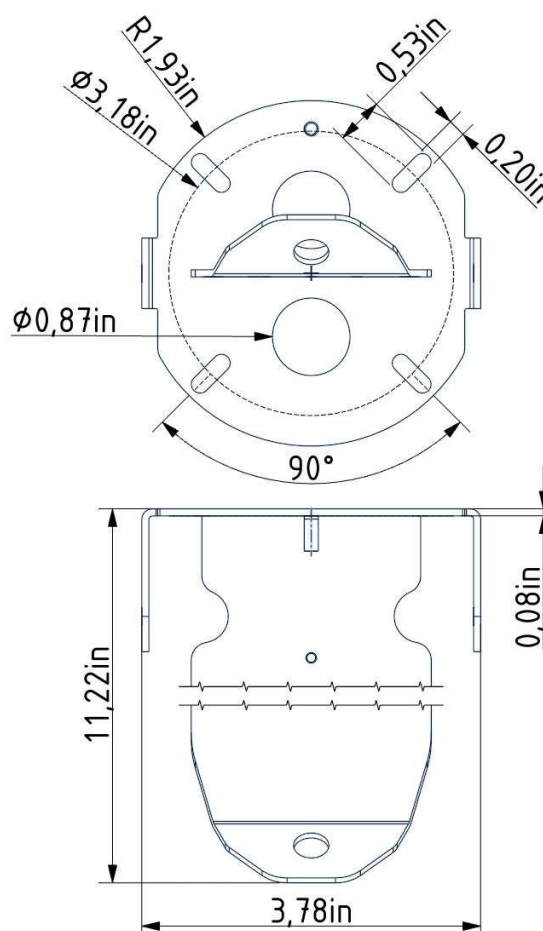
Dimensions O x w [in] 4.33 x 12.99
Weight [lb] 3 lb
Material metal, glass



Drawing



Hole placement



DATASHEET

Type: **PURO SOLO**
Name: Pendant light
ID: US1124
Designed by: Lucie Koldová



Download

Description

Puro is a boldly minimalistic variation on the atmospheric pendant light. Inspiration for the collection and its name comes from the Spanish word for cigar 'puro', which also alludes to the clean lines of the composition.

Tech. description

The light comprises a glass tube, LED source, and dural end caps for a compact visage. The assembly is attached to the ceiling canopy by means of the power cord fitted with a Brokis connector.

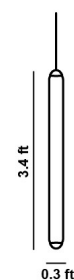


Colours options: https://brokis.sharepoint.com/:b:/s/brokis_sp/EaGd6RrcRrRHst5Tw50NiPgBO5nTyMYorWiDsJlMpgOo5g

CONSTRUCTION SPECIFICATION

Weight: 10.8 lb
Construction material: glass, metal
Cord length [in]: 86.61 "
Mounting: Ceiling
Environment: Dry

DIMENSIONS [in]



ELECTRICAL SPECIFICATION

Input voltage [V]: 100 - 240 V
Frequency [Hz]: 50-60 Hz
Max. power [W]: 25 W LED
Coverage IP: 20
Socket: -
Light source: non-user replaceable LED module

CERTIFICATIONS



BROKIS®

BROKIS S.R.O.
ŠPANILOVA 1315/25
163 00 PRAHA 6 - ŘEPY
CZECH REPUBLIC

ORG ID 64940799
VAT ID CZ64940799
C 42174 MĚSTSKÝ SOUD
V PRAZE

TEL +420 567 211 517
TECHNICAL@BROKIS.CZ
INFO@BROKIS.CZ
WWW.BROKIS.CZ

2022_05
PAGE 1



CP12151

Type	LED module
Lamp wattage [W]	23 W
Input voltage [V]	24 VDC
Energy class	E
Flux [lm]	1910 lm
Light colour [K]	2700 K
CRI	90+
Lifespan [h]	20000h
Dimmable	yes (PWM)



CP12153

Type	LED module
Lamp wattage [W]	23 W
Input voltage [V]	24 VDC
Energy class	E
Flux [lm]	2115 lm
Light colour [K]	4000 K
CRI	90+
Lifespan [h]	20000h
Dimmable	yes (PWM)



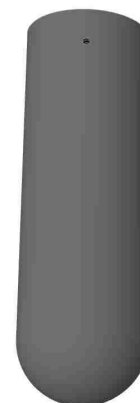
CP12155

Type	LED module
Lamp wattage [W]	23 W
Input voltage [V]	24 VDC
Energy class	E
Flux [lm]	2260 lm
Light colour [K]	5000 K
CRI	90+
Lifespan [h]	20000h
Dimmable	yes (PWM)

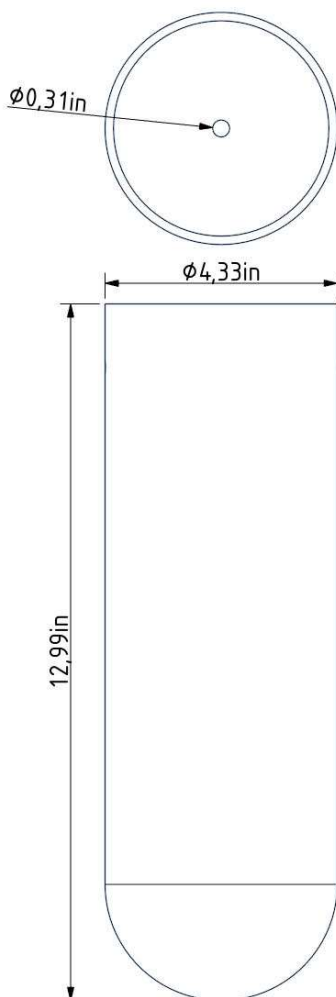


INNER FIXTURE

Dimensions O x w [in] 4.33 x 12.99
Weight [lb] 3 lb
Material metal, glass



Drawing



Hole placement

