

DATASHEET

Type: **PURO SOLO**
Name: Pendant light
ID: US1125
Designed by: Lucie Koldová



Download

Description

Puro is a boldly minimalistic variation on the atmospheric pendant light. Inspiration for the collection and its name comes from the Spanish word for cigar 'puro', which also alludes to the clean lines of the composition.



Tech. description

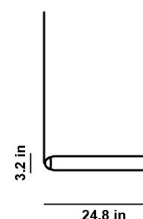
The light comprises a glass tube, LED source, and dural end caps for a compact visage. The assembly is attached to the ceiling canopy by means of the power cord fitted with a Brokis connector.

Colours options: https://brokis.sharepoint.com/:b:/s/brokis_sp/EXW3zO5hBldFsOF-VQjHMIwBLcvRsnvHyproaEtvP4zY6Q

CONSTRUCTION SPECIFICATION

Weight: 7 lb
Construction material: glass, metal
Cord length [in]: 86.61 "
Mounting: Ceiling
Environment: Dry

DIMENSIONS [in]



ELECTRICAL SPECIFICATION

Input voltage [V]: 100 - 240 V
Frequency [Hz]: 50-60 Hz
Max. power [W]: 13 W LED
Coverage IP: 20
Socket: -
Light source: non-user replaceable LED module

CERTIFICATIONS



BROKIS S.R.O.
ŠPANILOVA 1315/25
163 00 PRAHA 6 - ŘEPY
CZECH REPUBLIC

ORG ID 64940799
VAT ID CZ64940799
C 42174 MĚSTSKÝ SOUD
V PRAZE

TEL +420 567 211 517
TECHNICAL@BROKIS.CZ
INFO@BROKIS.CZ
WWW.BROKIS.CZ

2022_05
PAGE 1



CP12157

Type	LED module
Lamp wattage [W]	13 W
Input voltage [V]	24 VDC
Energy class	E
Flux [lm]	1105 lm
Light colour [K]	2700 K
CRI	90+
Lifespan [h]	20000h
Dimmable	yes (PWM)



CP12159

Type	LED module
Lamp wattage [W]	13 W
Input voltage [V]	24 VDC
Energy class	E
Flux [lm]	1220 lm
Light colour [K]	4000 K
CRI	90+
Lifespan [h]	20000h
Dimmable	yes (PWM)



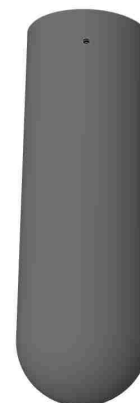
CP12161

Type	LED module
Lamp wattage [W]	13 W
Input voltage [V]	24 VDC
Energy class	E
Flux [lm]	1300 lm
Light colour [K]	5000 K
CRI	90+
Lifespan [h]	20000h
Dimmable	yes (PWM)

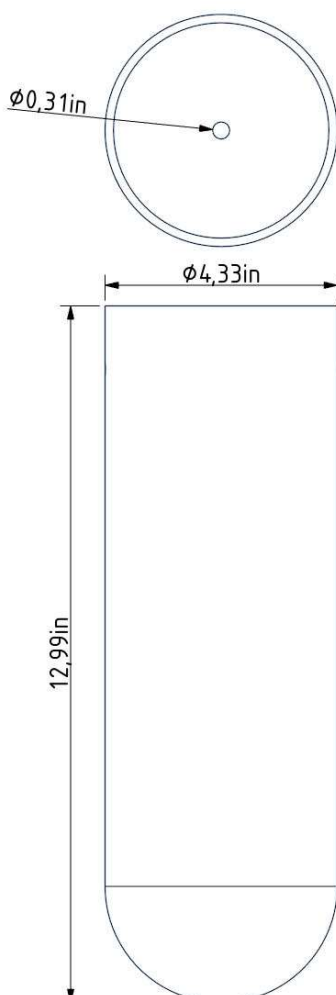


INNER FIXTURE

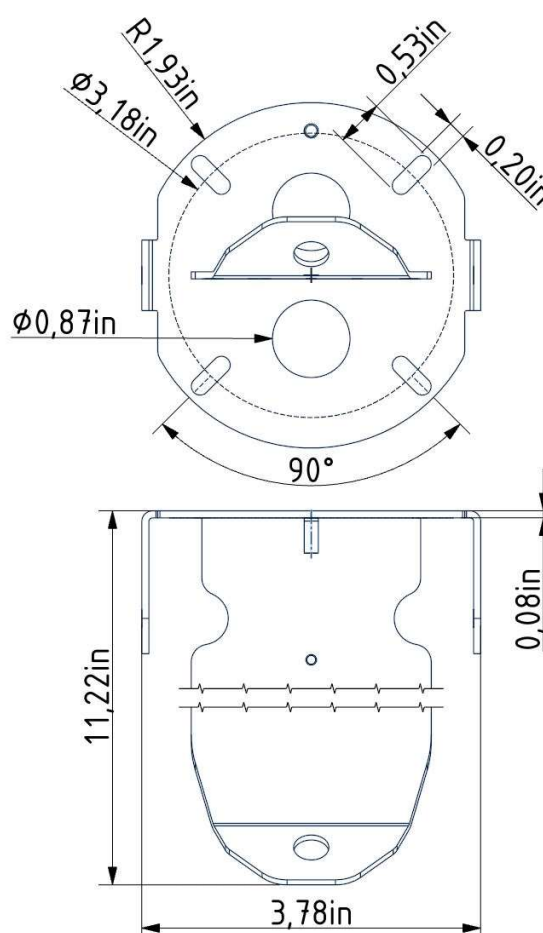
Dimensions O x w [in] 4.33 x 12.99
Weight [lb] 3 lb
Material metal, glass



Drawing



Hole placement



DATASHEET

Type: **PURO SOLO**
Name: Pendant light
ID: US1126
Designed by: Lucie Koldová



Download

Description

Puro is a boldly minimalistic variation on the atmospheric pendant light. Inspiration for the collection and its name comes from the Spanish word for cigar 'puro', which also alludes to the clean lines of the composition.



Tech. description

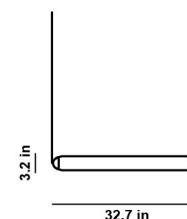
The light comprises a glass tube, LED source, and dural end caps for a compact visage. The assembly is attached to the ceiling canopy by means of the power cord fitted with a Brokis connector.

Colours options: https://brokis.sharepoint.com/:b:/s/brokis_sp/EY3EpBSOfa5ArLnZfffR16IBf7-lpN5BOJ8q6x34-CkYRg

CONSTRUCTION SPECIFICATION

Weight: 8.16 lb
Construction material: glass, metal
Cord length [in]: 86.61 "
Mounting: Ceiling
Environment: Dry

DIMENSIONS [in]



ELECTRICAL SPECIFICATION

Input voltage [V]: 100 - 240 V
Frequency [Hz]: 50-60 Hz
Max. power [W]: 18 W LED
Coverage IP: 20
Socket: -
Light source: non-user replaceable LED module

CERTIFICATIONS



BROKIS®

BROKIS S.R.O.
ŠPANILOVA 1315/25
163 00 PRAHA 6 - ŘEPY
CZECH REPUBLIC

ORG ID 64940799
VAT ID CZ64940799
C 42174 MĚSTSKÝ SOUD
V PRAZE

TEL +420 567 211 517
TECHNICAL@BROKIS.CZ
INFO@BROKIS.CZ
WWW.BROKIS.CZ

2022_05
PAGE 1



CP12163

Type	LED module
Lamp wattage [W]	18 W
Input voltage [V]	24 VDC
Energy class	E
Flux [lm]	1530 lm
Light colour [K]	2700 K
CRI	90+
Lifespan [h]	20000h
Dimmable	yes (PWM)



CP12165

Type	LED module
Lamp wattage [W]	18 W
Input voltage [V]	24 VDC
Energy class	E
Flux [lm]	1695 lm
Light colour [K]	4000 K
CRI	90+
Lifespan [h]	20000h
Dimmable	yes (PWM)



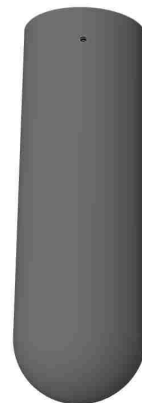
CP12167

Type	LED module
Lamp wattage [W]	18 W
Input voltage [V]	24 VDC
Energy class	E
Flux [lm]	1810 lm
Light colour [K]	5000 K
CRI	90+
Lifespan [h]	20000h
Dimmable	yes (PWM)

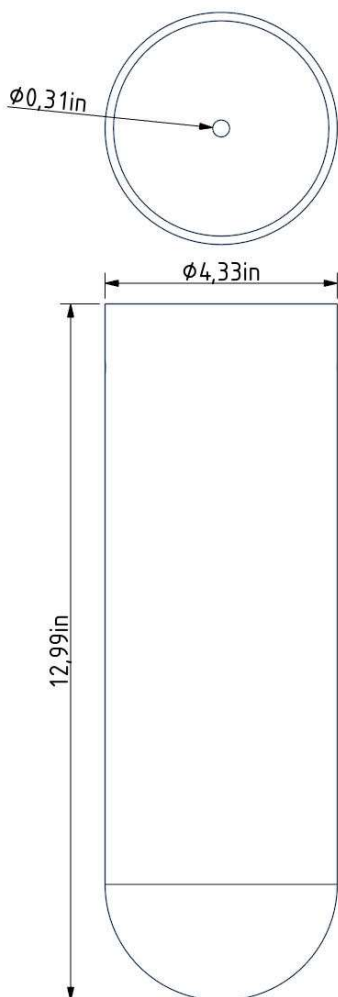


INNER FIXTURE

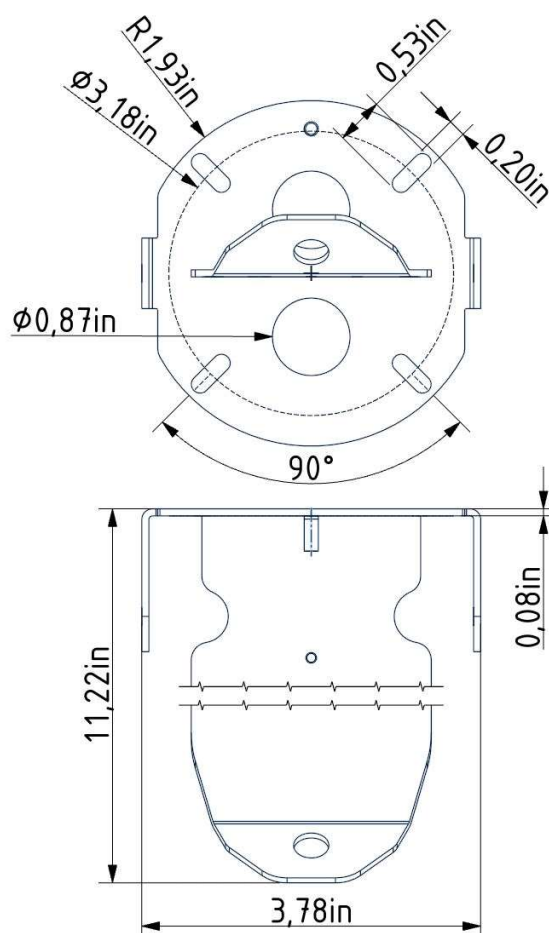
Dimensions O x w [in] 4.33 x 12.99
Weight [lb] 3 lb
Material metal, glass



Drawing



Hole placement



DATASHEET

Type: **PURO SOLO**
Name: Pendant light
ID: US1127
Designed by: Lucie Koldová



Download

Description

Puro is a boldly minimalistic variation on the atmospheric pendant light. Inspiration for the collection and its name comes from the Spanish word for cigar 'puro', which also alludes to the clean lines of the composition.



Tech. description

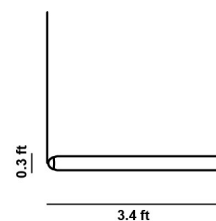
The light comprises a glass tube, LED source, and dural end caps for a compact visage. The assembly is attached to the ceiling canopy by means of the power cord fitted with a Brokis connector.

Colours options: https://brokis.sharepoint.com/:b:/s/brokis_sp/EefyPtCRGXIBn8UaEw1SnmMBFvZcj6ioWIDpjYm-1CrsBw

CONSTRUCTION SPECIFICATION

Weight: 10.8 lb
Construction material: glass, metal
Cord length [in]: 86.61 "
Mounting: Ceiling
Environment: Dry

DIMENSIONS [in]



ELECTRICAL SPECIFICATION

Input voltage [V]: 100 - 240 V
Frequency [Hz]: 50-60 Hz
Max. power [W]: 25 W LED
Coverage IP: 20
Socket: -
Light source: non-user replaceable LED module

CERTIFICATIONS



BROKIS®

BROKIS S.R.O.
ŠPANILOVA 1315/25
163 00 PRAHA 6 - ŘEPY
CZECH REPUBLIC

ORG ID 64940799
VAT ID CZ64940799
C 42174 MĚSTSKÝ SOUD
V PRAZE

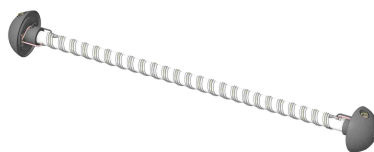
TEL +420 567 211 517
TECHNICAL@BROKIS.CZ
INFO@BROKIS.CZ
WWW.BROKIS.CZ

2022_05
PAGE 1



CP12169

Type	LED module
Lamp wattage [W]	23 W
Input voltage [V]	24 VDC
Energy class	E
Flux [lm]	1910 lm
Light colour [K]	2700 K
CRI	90+
Lifespan [h]	20000h
Dimmable	yes (PWM)



CP12171

Type	LED module
Lamp wattage [W]	23 W
Input voltage [V]	24 VDC
Energy class	E
Flux [lm]	2115 lm
Light colour [K]	4000 K
CRI	90+
Lifespan [h]	20000h
Dimmable	yes (PWM)



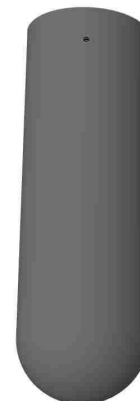
CP12173

Type	LED module
Lamp wattage [W]	23 W
Input voltage [V]	24 VDC
Energy class	E
Flux [lm]	2260 lm
Light colour [K]	5000 K
CRI	90+
Lifespan [h]	20000h
Dimmable	yes (PWM)

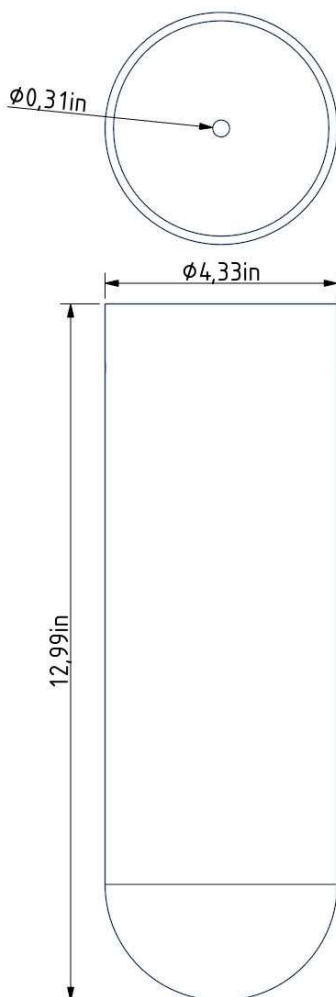


INNER FIXTURE

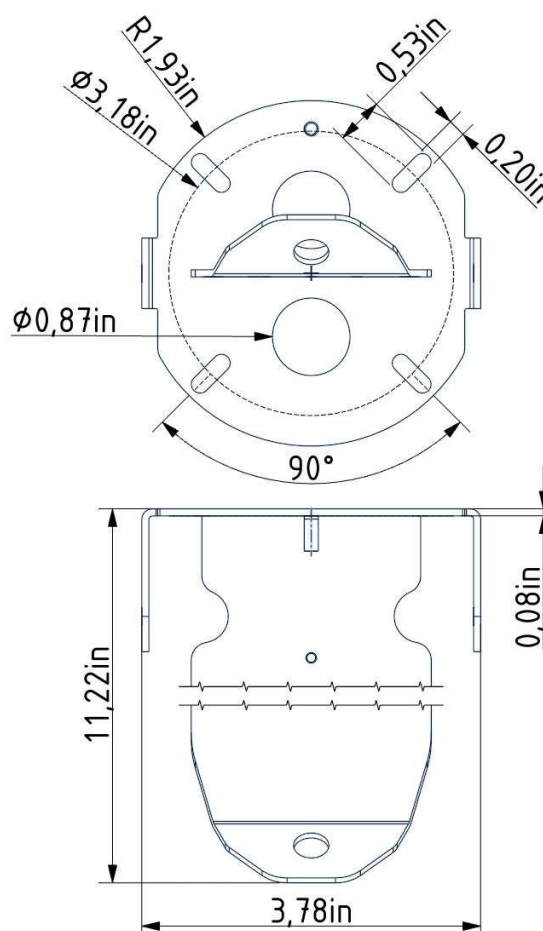
Dimensions O x w [in] 4.33 x 12.99
Weight [lb] 3 lb
Material metal, glass



Drawing



Hole placement



DATASHEET

Type: **PURO SOLO**
Name: Pendant light
ID: US1156
Designed by: Lucie Koldová



Download

Description

Puro is a boldly minimalistic variation on the atmospheric pendant light. Inspiration for the collection and its name comes from the Spanish word for cigar 'puro', which also alludes to the clean lines of the composition.

Tech. description

The light comprises a glass tube, LED source, and dural end caps for a compact visage. The assembly is attached to the ceiling canopy by means of the power cord fitted with a Brokis connector.

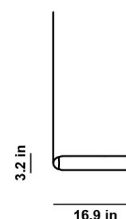


Colours options: https://brokis.sharepoint.com/:b:/s/brokis_sp/EZ_gJyKQ8vIdq6FJIW-R6O8BIQzN4ZycC1sY2yK3xMmV3Q

CONSTRUCTION SPECIFICATION

Weight: 6.17 lb
Construction material: glass, metal
Cord length [in]: 86.61 "
Mounting: Ceiling
Environment: Dry

DIMENSIONS [in]



ELECTRICAL SPECIFICATION

Input voltage [V]: 100 - 240 V
Frequency [Hz]: 50-60 Hz
Max. power [W]: 11 W LED
Coverage IP: 20
Socket: -
Light source: non-user replaceable LED module

CERTIFICATIONS

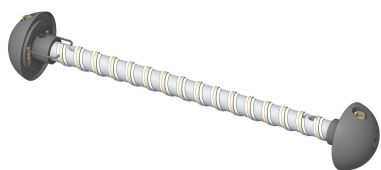


BROKIS S.R.O.
ŠPANILOVA 1315/25
163 00 PRAHA 6 - ŘEPY
CZECH REPUBLIC

ORG ID 64940799
VAT ID CZ64940799
C 42174 MĚSTSKÝ SOUD
V PRAZE

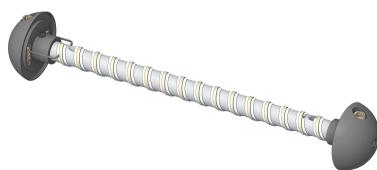
TEL +420 567 211 517
TECHNICAL@BROKIS.CZ
INFO@BROKIS.CZ
WWW.BROKIS.CZ

2022_05
PAGE 1



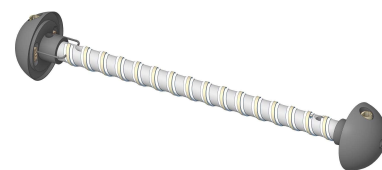
CP14446

Type	LED module
Lamp wattage [W]	7 W
Input voltage [V]	24 VDC
Energy class	E
Flux [lm]	595 lm
Light colour [K]	2700 K
CRI	90+
Lifespan [h]	20000h
Dimmable	yes (PWM)



CP14448

Type	LED module
Lamp wattage [W]	7 W
Input voltage [V]	24 VDC
Energy class	E
Flux [lm]	659 lm
Light colour [K]	4000 K
CRI	90+
Lifespan [h]	20000h
Dimmable	yes (PWM)



CP14450

Type	LED module
Lamp wattage [W]	7 W
Input voltage [V]	24 VDC
Energy class	E
Flux [lm]	705 lm
Light colour [K]	5000 K
CRI	90+
Lifespan [h]	20000h
Dimmable	yes (PWM)

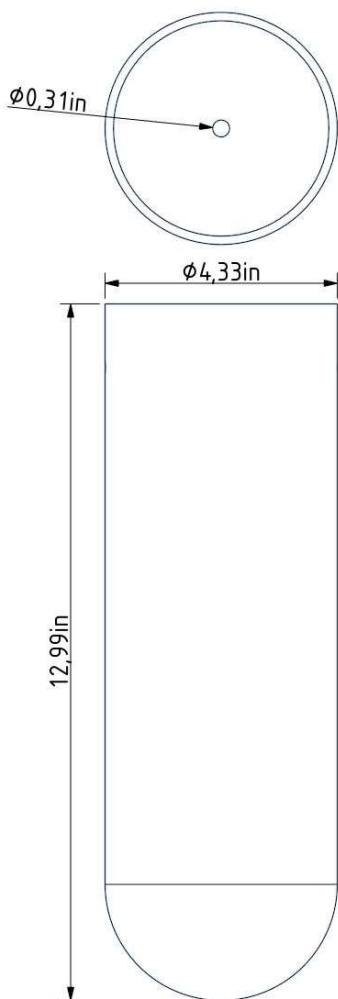


INNER FIXTURE

Dimensions O x w [in] 4.33 x 12.99
Weight [lb] 3 lb
Material metal, glass



Drawing



Hole placement

