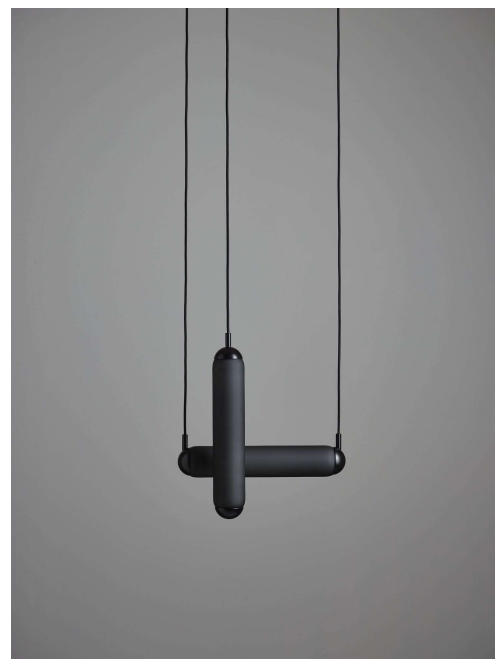




Description

Puro is a boldly minimalistic variation on atmospheric pendant lights. Inspiration for the collection and its name come from the Spanish word for "cigar", which also means "pure" and is a reference to the composition's clean lines. The Puro collection comprises of single vertical or horizontal tube or a single bell light suspended beneath a vertical tube and dual bell lights suspended beneath a horizontal tube. The diffused glow of the tubes combines with that of the bells to elicit a dynamic ambience, while the alternating gloss and matte finishes provide a degree of provocation. When standing alone as single tubes, amazing installations can be created, such as a composition of tubes coupled to a screen dividing space and evoking an intimate atmosphere bordering on scenography. Puro offers atmospheric room lighting as well as lighting for offices, hospitality interiors, boutiques, showrooms and private dining areas.



Tech. description

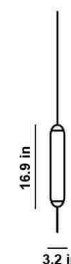
Glass tube fitted with throughsockets with connectors on both sides. These sockets are designed for connection between canopy and luminair, and between luminair and bottom part Spotlight (PC1121).

Colours options: https://brokis.sharepoint.com/:b:/s/brokis_sp/EaJxLeyknPtHjCQFAxhm8sgBnY4r0Pww9A3fMs_PJWOAIQ

CONSTRUCTION SPECIFICATION

Weight:	6.2 lb
Construction material:	glass, metal
Cord length [in]:	86.61 "
Mounting:	Ceiling
Environment:	Dry

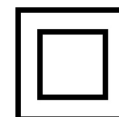
DIMENSIONS [in]



ELECTRICAL SPECIFICATION

Input voltage [V]:	100 - 240 V
Frequency [Hz]:	50-60 Hz
Max. power [W]:	7 W LED
Coverage IP:	20
Socket:	-
Light source:	non-user replaceable LED module

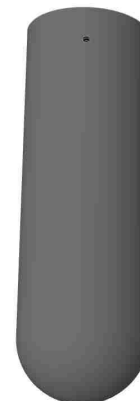
CERTIFICATIONS



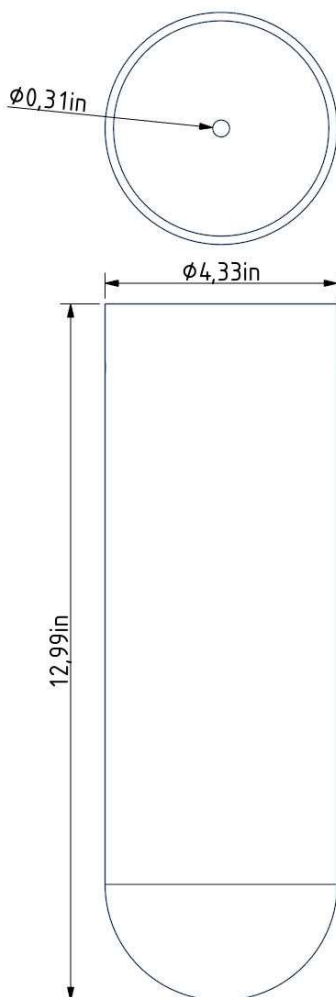


INNER FIXTURE

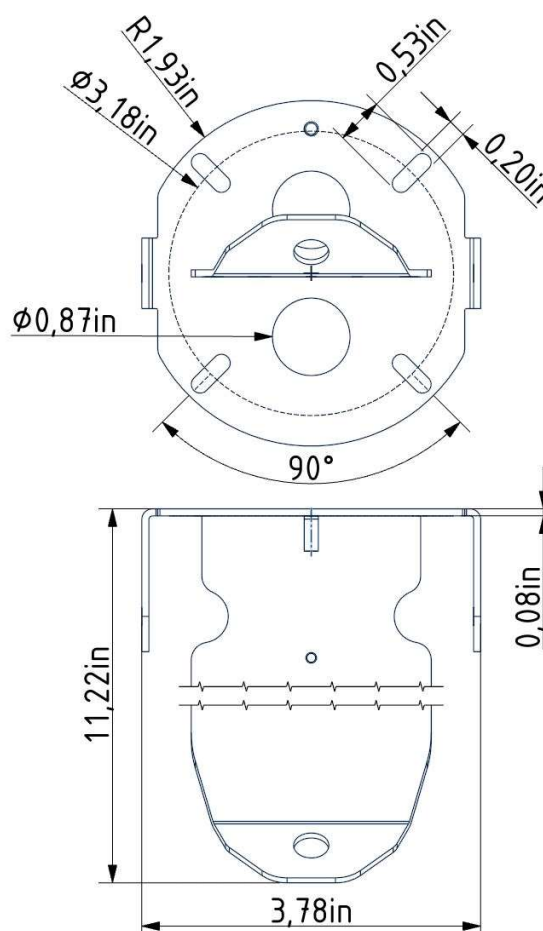
Dimensions O x w [in] 4.33 x 12.99
Weight [lb] 3 lb
Material metal, glass



Drawing



Hole placement



DATASHEET

Type: **PURO SINGLE**
Name: Pendant light
ID: US1013
Designed by: Lucie Koldová



Download

Description

Puro is a boldly minimalistic variation on atmospheric pendant lights. Inspiration for the collection and its name come from the Spanish word for "cigar", which also means "pure" and is a reference to the composition's clean lines. The Puro collection comprises of single vertical or horizontal tube or a single bell light suspended beneath a vertical tube and dual bell lights suspended beneath a horizontal tube. The diffused glow of the tubes combines with that of the bells to elicit a dynamic ambience, while the alternating gloss and matte finishes provide a degree of provocation. When standing alone as single tubes, amazing installations can be created, such as a composition of tubes coupled to a screen dividing space and evoking an intimate atmosphere bordering on scenography. Puro offers atmospheric room lighting as well as lighting for offices, hospitality interiors, boutiques, showrooms and private dining areas.



Tech. description

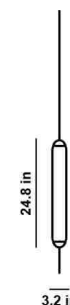
Glass tube fitted with throughsockets with connectors on both sides. These sockets are designed for connection between canopy and luminair, and between luminair and bottom part Spotlight (US1121).

Colours options: https://brokis.sharepoint.com/:b:/s/brokis_sp/ETZcJi5cNI9OsEK2hmFOdeYB-ivVoK3qU_ITuo_oy7zssw

CONSTRUCTION SPECIFICATION

Weight: 7 lb
Construction material: glass, metal
Cord length [in]: 78.75
Mounting: Ceiling
Environment: Dry

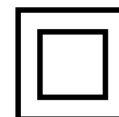
DIMENSIONS [in]



ELECTRICAL SPECIFICATION

Input voltage [V]: 100 - 240 V
Frequency [Hz]: 50-60 Hz
Max. power [W]: 13 W LED
Coverage IP: 20
Socket: -
Light source: non-user replaceable LED module

CERTIFICATIONS



BROKIS®

BROKIS S.R.O.
ŠPANILOVA 1315/25
163 00 PRAHA 6 - ŘEPY
CZECH REPUBLIC

ORG ID 64940799
VAT ID CZ64940799
C 42174 MĚSTSKÝ SOUD
V PRAZE

TEL +420 567 211 517
TECHNICAL@BROKIS.CZ
INFO@BROKIS.CZ
WWW.BROKIS.CZ

2023_11
PAGE 1



CP12103

Type	LED module
Lamp wattage [W]	13 W
Input voltage [V]	24 VDC
Energy class	E
Flux [lm]	1105 lm
Light colour [K]	2700 K
CRI	90+
Lifespan [h]	20000h
Dimmable	yes (PWM)



CP12105

Type	LED module
Lamp wattage [W]	13 W
Input voltage [V]	24 VDC
Energy class	E
Flux [lm]	1220 lm
Light colour [K]	4000 K
CRI	90+
Lifespan [h]	20000h
Dimmable	yes (PWM)



CP12107

Type	LED module
Lamp wattage [W]	13 W
Input voltage [V]	24 VDC
Energy class	E
Flux [lm]	1300 lm
Light colour [K]	5000 K
CRI	90+
Lifespan [h]	20000h
Dimmable	yes (PWM)

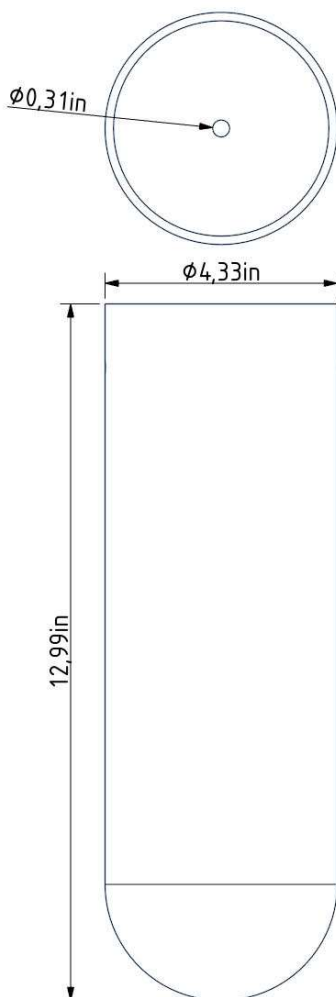


INNER FIXTURE

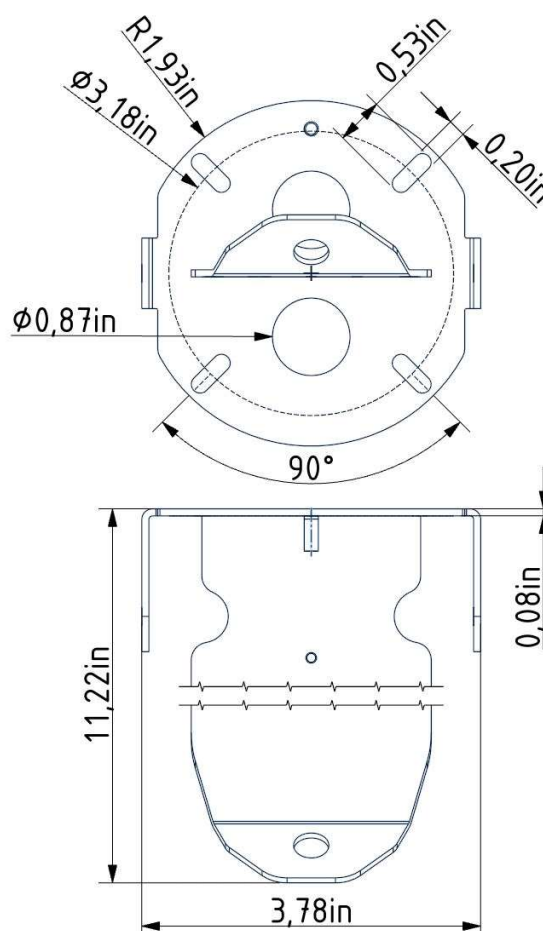
Dimensions O x w [in] 4.33 x 12.99
Weight [lb] 3 lb
Material metal, glass



Drawing



Hole placement





Description

Puro is a boldly minimalistic variation on atmospheric pendant lights. Inspiration for the collection and its name come from the Spanish word for "cigar", which also means "pure" and is a reference to the composition's clean lines. The Puro collection comprises of single vertical or horizontal tube or a single bell light suspended beneath a vertical tube and dual bell lights suspended beneath a horizontal tube. The diffused glow of the tubes combines with that of the bells to elicit a dynamic ambience, while the alternating gloss and matte finishes provide a degree of provocation. When standing alone as single tubes, amazing installations can be created, such as a composition of tubes coupled to a screen dividing space and evoking an intimate atmosphere bordering on scenography. Puro offers atmospheric room lighting as well as lighting for offices, hospitality interiors, boutiques, showrooms and private dining areas.

Tech. description

Glass tube fitted with throughsockets with connectors on both sides. These sockets are designed for connection between canopy and luminair, and between luminair and bottom part Spotlight (US1121).



Colours options: https://brokis.sharepoint.com/:b:/s/brokis_sp/EbHzO-RknI5HkPwul8hzU2YBx7a-9trSL5bDyhI9GhQprA

CONSTRUCTION SPECIFICATION

Weight:	8,16 lb
Construction material:	glass, metal
Cord length [in]:	78.75
Mounting:	Ceiling
Environment:	Dry

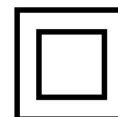
DIMENSIONS [in]



ELECTRICAL SPECIFICATION

Input voltage [V]:	100 - 240 V
Frequency [Hz]:	50-60 Hz
Max. power [W]:	18 W LED
Coverage IP:	20
Socket:	-
Light source:	non-user replaceable LED module

CERTIFICATIONS





CP12109

Type	LED module
Lamp wattage [W]	18 W
Input voltage [V]	24 VDC
Energy class	E
Flux [lm]	1530 lm
Light colour [K]	2700 K
CRI	90+
Lifespan [h]	20000h
Dimmable	yes (PWM)



CP12111

Type	LED module
Lamp wattage [W]	18 W
Input voltage [V]	24 VDC
Energy class	E
Flux [lm]	1695 lm
Light colour [K]	4000 K
CRI	90+
Lifespan [h]	20000h
Dimmable	yes (PWM)



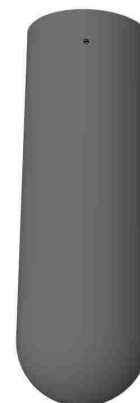
CP12113

Type	LED module
Lamp wattage [W]	18 W
Input voltage [V]	24 VDC
Energy class	E
Flux [lm]	1810 lm
Light colour [K]	5000 K
CRI	90+
Lifespan [h]	20000h
Dimmable	yes (PWM)

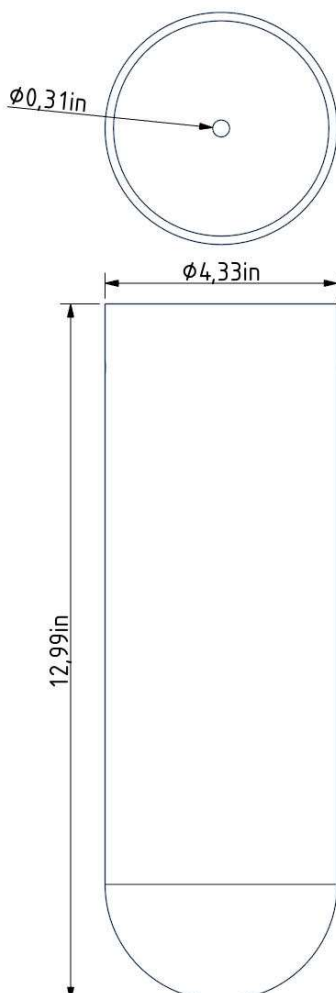


INNER FIXTURE

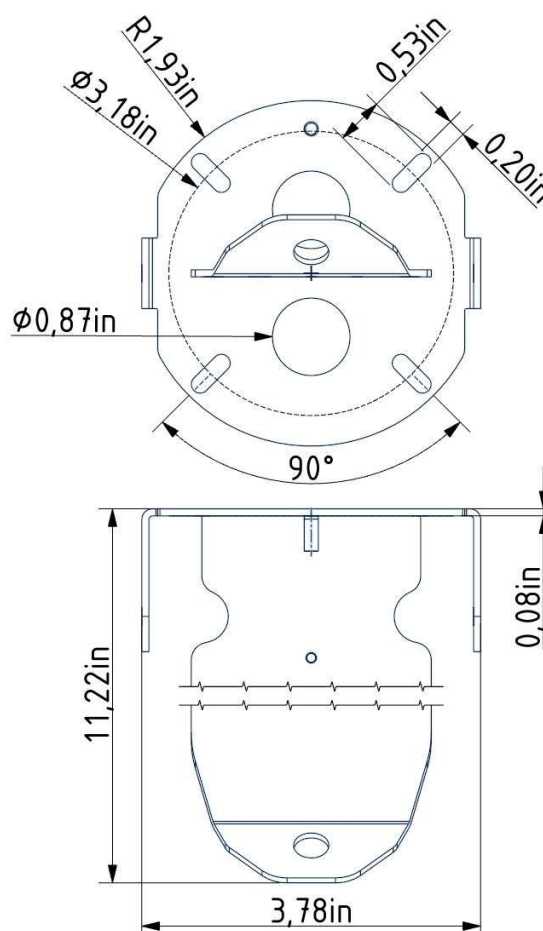
Dimensions O x w [in] 4.33 x 12.99
Weight [lb] 3 lb
Material metal, glass



Drawing



Hole placement





Description

Puro is a boldly minimalistic variation on atmospheric pendant lights. Inspiration for the collection and its name come from the Spanish word for "cigar", which also means "pure" and is a reference to the composition's clean lines. The Puro collection comprises of single vertical or horizontal tube or a single bell light suspended beneath a vertical tube and dual bell lights suspended beneath a horizontal tube. The diffused glow of the tubes combines with that of the bells to elicit a dynamic ambience, while the alternating gloss and matte finishes provide a degree of provocation. When standing alone as single tubes, amazing installations can be created, such as a composition of tubes coupled to a screen dividing space and evoking an intimate atmosphere bordering on scenography. Puro offers atmospheric room lighting as well as lighting for offices, hospitality interiors, boutiques, showrooms and private dining areas.



Tech. description

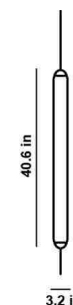
Glass tube fitted with throughsockets with connectors on both sides. These sockets are designed for connection between canopy and luminair, and between luminair and bottom part Spotlight (US1121).

Colours options: https://brokis.sharepoint.com/:b:/s/brokis_sp/EXj1SpHJZ8tKu25x4kDg9q4BGgqUwAe4eLQUTysa-TyxEA

CONSTRUCTION SPECIFICATION

Weight:	10.8 lb
Construction material:	glass, metal
Cord length [in]:	78.75
Mounting:	Ceiling
Environment:	Dry

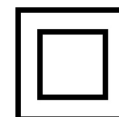
DIMENSIONS [in]



ELECTRICAL SPECIFICATION

Input voltage [V]:	100 - 240 V
Frequency [Hz]:	50-60 Hz
Max. power [W]:	25 W LED
Coverage IP:	20
Socket:	-
Light source:	non-user replaceable LED module

CERTIFICATIONS





CP12115

Type	LED module
Lamp wattage [W]	23 W
Input voltage [V]	24 VDC
Energy class	E
Flux [lm]	1910 lm
Light colour [K]	2700 K
CRI	90+
Lifespan [h]	20000h
Dimmable	yes (PWM)



CP12117

Type	LED module
Lamp wattage [W]	23 W
Input voltage [V]	24 VDC
Energy class	E
Flux [lm]	2115 lm
Light colour [K]	4000 K
CRI	90+
Lifespan [h]	20000h
Dimmable	yes (PWM)



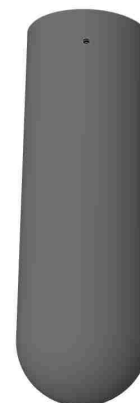
CP12119

Type	LED module
Lamp wattage [W]	23 W
Input voltage [V]	24 VDC
Energy class	E
Flux [lm]	2260 lm
Light colour [K]	5000 K
CRI	90+
Lifespan [h]	20000h
Dimmable	yes (PWM)

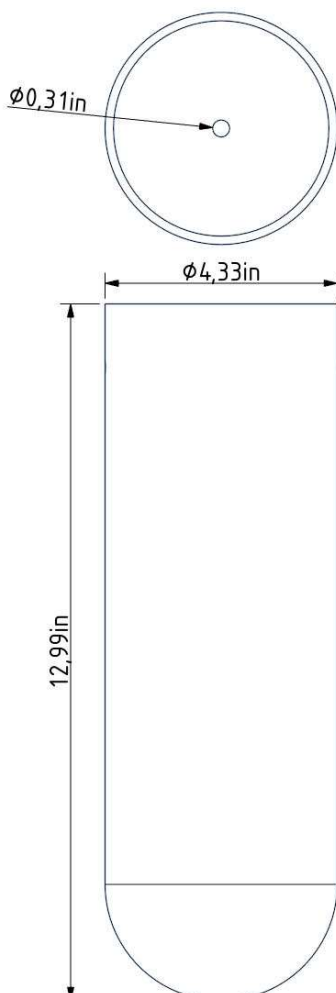


INNER FIXTURE

Dimensions O x w [in] 4.33 x 12.99
Weight [lb] 3 lb
Material metal, glass



Drawing



Hole placement

