



Description

Puro is a boldly minimalistic variation on atmospheric pendant lights. Inspiration for the collection and its name come from the Spanish word for "cigar", which also means "pure" and is a reference to the composition's clean lines. The Puro collection comprises of single vertical or horizontal tube or a single bell light suspended beneath a vertical tube and dual bell lights suspended beneath a horizontal tube. The diffused glow of the tubes combines with that of the bells to elicit a dynamic ambience, while the alternating gloss and matte finishes provide a degree of provocation. When standing alone as single tubes, amazing installations can be created, such as a composition of tubes coupled to a screen dividing space and evoking an intimate atmosphere bordering on scenography. Puro offers atmospheric room lighting as well as lighting for offices, hospitality interiors, boutiques, showrooms and private dining areas.



Tech. description

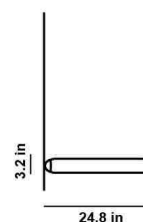
Glass tube fitted with throughsockets with connectors on both sides. These sockets are designed for connection between canopy and luminair, and between luminair and bottom part Spotlight (US1121).

Colours options: https://brokis.sharepoint.com/:b:/s/brokis_sp/Ee5FSj4MyJJnzscmlH-7MABNSCui0BD8LGQxrtyvp4BA

CONSTRUCTION SPECIFICATION

Weight:	7 lb
Construction material:	glass, metal
Cord length [in]:	78.75
Mounting:	Ceiling
Environment:	Dry

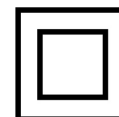
DIMENSIONS [in]



ELECTRICAL SPECIFICATION

Input voltage [V]:	100 - 240 V
Frequency [Hz]:	50-60 Hz
Max. power [W]:	13 W LED
Coverage IP:	20
Socket:	-
Light source:	non-user replaceable LED module

CERTIFICATIONS





CP12121

Type	LED module
Lamp wattage [W]	13 W
Input voltage [V]	24 VDC
Energy class	E
Flux [lm]	1105 lm
Light colour [K]	2700 K
CRI	90+
Lifespan [h]	20000h
Dimmable	yes (PWM)



CP12123

Type	LED module
Lamp wattage [W]	13 W
Input voltage [V]	24 VDC
Energy class	E
Flux [lm]	1220 lm
Light colour [K]	4000 K
CRI	90+
Lifespan [h]	20000h
Dimmable	yes (PWM)



CP12125

Type	LED module
Lamp wattage [W]	13 W
Input voltage [V]	24 VDC
Energy class	E
Flux [lm]	1300 lm
Light colour [K]	5000 K
CRI	90+
Lifespan [h]	20000h
Dimmable	yes (PWM)

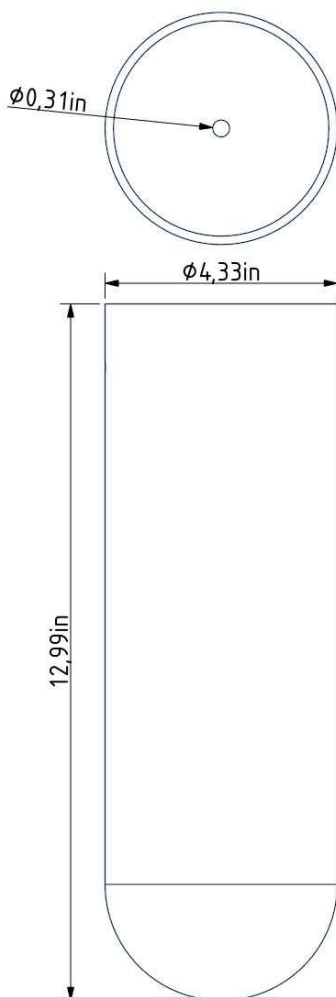


INNER FIXTURE

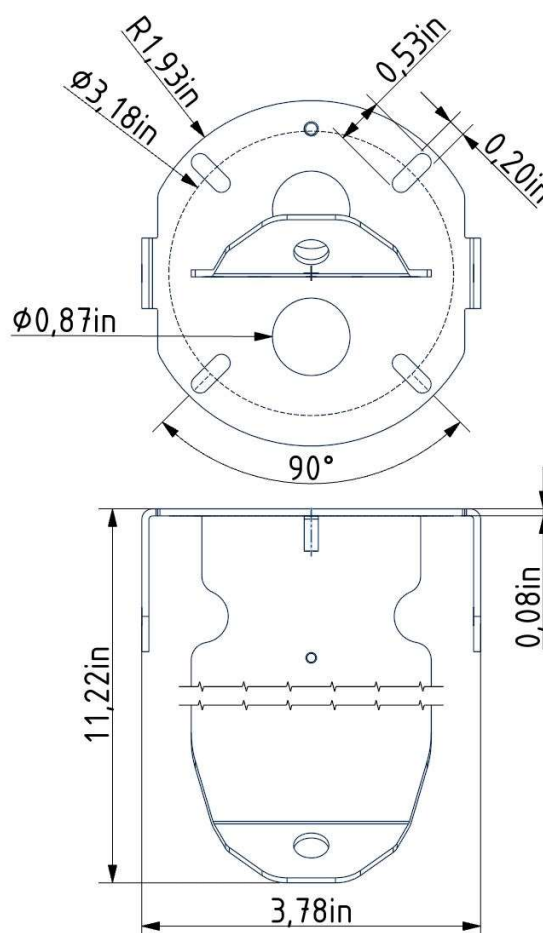
Dimensions O x w [in] 4.33 x 12.99
Weight [lb] 3 lb
Material metal, glass



Drawing



Hole placement





Description

Puro is a boldly minimalistic variation on atmospheric pendant lights. Inspiration for the collection and its name come from the Spanish word for "cigar", which also means "pure" and is a reference to the composition's clean lines. The Puro collection comprises of single vertical or horizontal tube or a single bell light suspended beneath a vertical tube and dual bell lights suspended beneath a horizontal tube. The diffused glow of the tubes combines with that of the bells to elicit a dynamic ambience, while the alternating gloss and matte finishes provide a degree of provocation. When standing alone as single tubes, amazing installations can be created, such as a composition of tubes coupled to a screen dividing space and evoking an intimate atmosphere bordering on scenography. Puro offers atmospheric room lighting as well as lighting for offices, hospitality interiors, boutiques, showrooms and private dining areas.



Tech. description

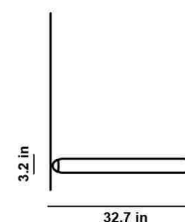
Glass tube fitted with throughsockets with connectors on both sides. These sockets are designed for connection between canopy and luminair, and between luminair and bottom part Spotlight (US1121).

Colours options: https://brokis.sharepoint.com/:b/s/brokis_sp/EfuE-iGp-ANPtX64fiKrB7kBPwFCZBA3T9Qq-mn4WB2Hmw

CONSTRUCTION SPECIFICATION

Weight:	8,16 lb
Construction material:	glass, metal
Cord length [in]:	78.75
Mounting:	Ceiling
Environment:	Dry

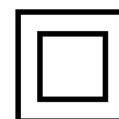
DIMENSIONS [in]



ELECTRICAL SPECIFICATION

Input voltage [V]:	100 - 240 V
Frequency [Hz]:	50-60 Hz
Max. power [W]:	18 W LED
Coverage IP:	20
Socket:	-
Light source:	non-user replaceable LED module

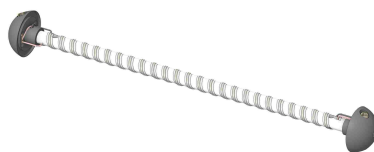
CERTIFICATIONS





CP12127

Type	LED module
Lamp wattage [W]	18 W
Input voltage [V]	24 VDC
Energy class	E
Flux [lm]	1530 lm
Light colour [K]	2700 K
CRI	90+
Lifespan [h]	20000h
Dimmable	yes (PWM)



CP12129

Type	LED module
Lamp wattage [W]	18 W
Input voltage [V]	24 VDC
Energy class	E
Flux [lm]	1695 lm
Light colour [K]	4000 K
CRI	90+
Lifespan [h]	20000h
Dimmable	yes (PWM)



CP12131

Type	LED module
Lamp wattage [W]	18 W
Input voltage [V]	24 VDC
Energy class	E
Flux [lm]	1810 lm
Light colour [K]	5000 K
CRI	90+
Lifespan [h]	20000h
Dimmable	yes (PWM)

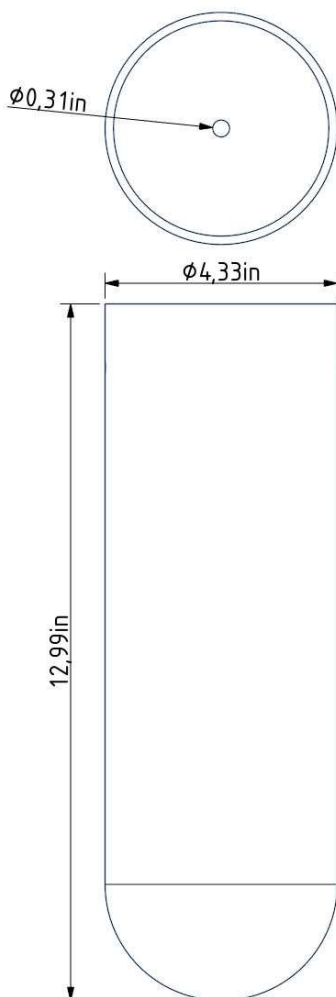


INNER FIXTURE

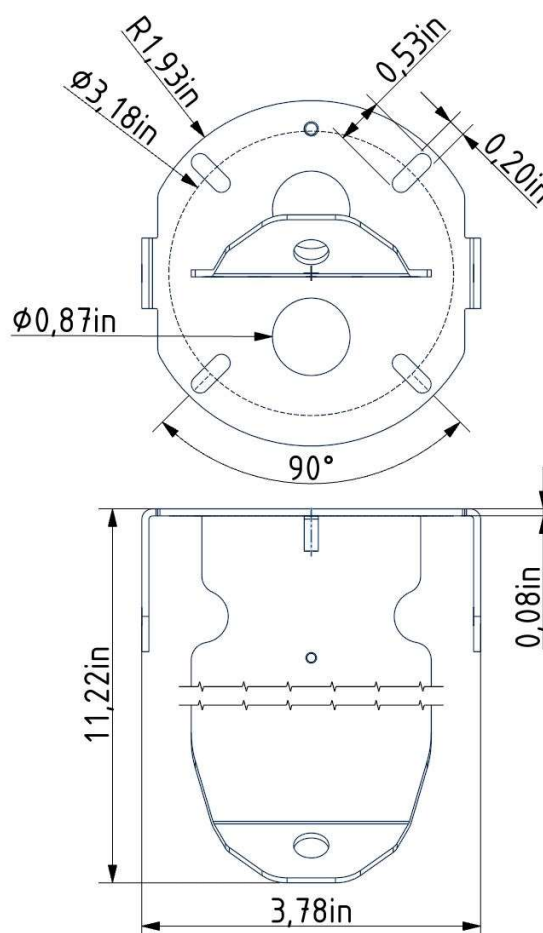
Dimensions O x w [in] 4.33 x 12.99
Weight [lb] 3 lb
Material metal, glass



Drawing



Hole placement



DATASHEET

Type: **PURO SINGLE**
Name: Pendant light
ID: US1012
Designed by: Lucie Koldová



Download

Description

Puro is a boldly minimalistic variation on atmospheric pendant lights. Inspiration for the collection and its name come from the Spanish word for "cigar", which also means "pure" and is a reference to the composition's clean lines. The Puro collection comprises of single vertical or horizontal tube or a single bell light suspended beneath a vertical tube and dual bell lights suspended beneath a horizontal tube. The diffused glow of the tubes combines with that of the bells to elicit a dynamic ambience, while the alternating gloss and matte finishes provide a degree of provocation. When standing alone as single tubes, amazing installations can be created, such as a composition of tubes coupled to a screen dividing space and evoking an intimate atmosphere bordering on scenography. Puro offers atmospheric room lighting as well as lighting for offices, hospitality interiors, boutiques, showrooms and private dining areas.



Tech. description

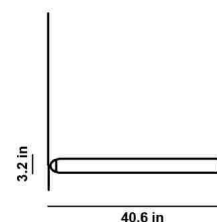
Glass tube fitted with throughsockets with connectors on both sides. These sockets are designed for connection between canopy and luminair, and between luminair and bottom part Spotlight (US1121).

Colours options: https://brokis.sharepoint.com/:b:/s/brokis_sp/EFT7zOCi9ktPoEIAkCOF5gQBvmNb8y6gXskIHmQKoGLvug

CONSTRUCTION SPECIFICATION

Weight: 10.8 lb
Construction material: glass, metal
Cord length [in]: 78.75
Mounting: Ceiling
Environment: Dry

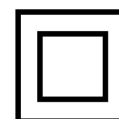
DIMENSIONS [in]



ELECTRICAL SPECIFICATION

Input voltage [V]: 100 - 240 V
Frequency [Hz]: 50-60 Hz
Max. power [W]: 25 W LED
Coverage IP: 20
Socket: -
Light source: non-user replaceable LED module

CERTIFICATIONS



BROKIS S.R.O.
ŠPANILOVA 1315/25
163 00 PRAHA 6 - ŘEPY
CZECH REPUBLIC

ORG ID 64940799
VAT ID CZ64940799
C 42174 MĚSTSKÝ SOUD
V PRAZE

TEL +420 567 211 517
TECHNICAL@BROKIS.CZ
INFO@BROKIS.CZ
WWW.BROKIS.CZ

2023_11
PAGE 1



CP12133

Type	LED module
Lamp wattage [W]	23 W
Input voltage [V]	24 VDC
Energy class	E
Flux [lm]	1910 lm
Light colour [K]	2700 K
CRI	90+
Lifespan [h]	20000h
Dimmable	yes (PWM)



CP12135

Type	LED module
Lamp wattage [W]	23 W
Input voltage [V]	24 VDC
Energy class	E
Flux [lm]	2115 lm
Light colour [K]	4000 K
CRI	90+
Lifespan [h]	20000h
Dimmable	yes (PWM)



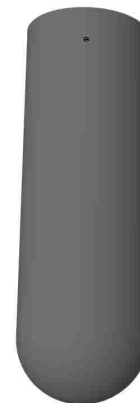
CP12137

Type	LED module
Lamp wattage [W]	23 W
Input voltage [V]	24 VDC
Energy class	E
Flux [lm]	2260 lm
Light colour [K]	5000 K
CRI	90+
Lifespan [h]	20000h
Dimmable	yes (PWM)

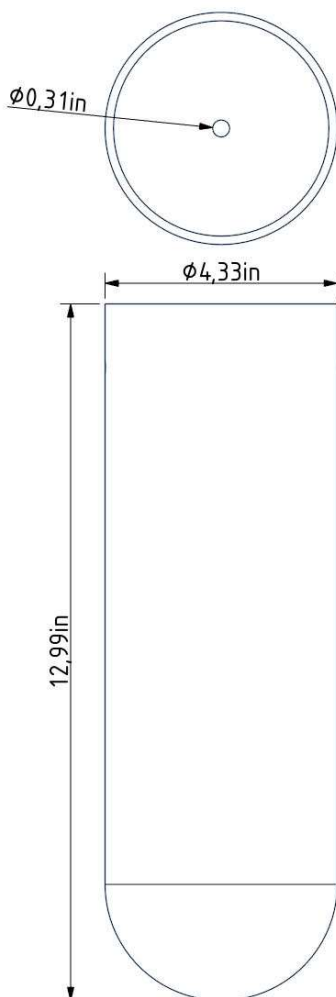


INNER FIXTURE

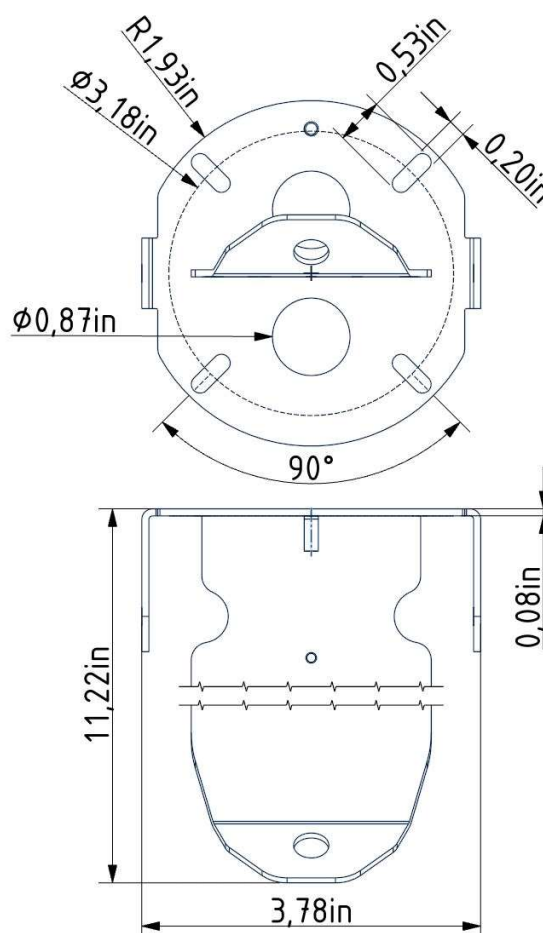
Dimensions O x w [in] 4.33 x 12.99
Weight [lb] 3 lb
Material metal, glass



Drawing



Hole placement





Description

Puro is a boldly minimalistic variation on atmospheric pendant lights. Inspiration for the collection and its name come from the Spanish word for "cigar", which also means "pure" and is a reference to the composition's clean lines. The Puro collection comprises of single vertical or horizontal tube or a single bell light suspended beneath a vertical tube and dual bell lights suspended beneath a horizontal tube. The diffused glow of the tubes combines with that of the bells to elicit a dynamic ambience, while the alternating gloss and matte finishes provide a degree of provocation. When standing alone as single tubes, amazing installations can be created, such as a composition of tubes coupled to a screen dividing space and evoking an intimate atmosphere bordering on scenography. Puro offers atmospheric room lighting as well as lighting for offices, hospitality interiors, boutiques, showrooms and private dining areas.



Tech. description

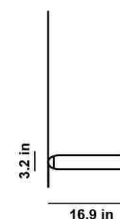
Glass tube fitted with throughsockets with connectors on both sides. These sockets are designed for connection between canopy and luminair, and between luminair and bottom part Spotlight (PC1121).

Colours options: https://brokis.sharepoint.com/:b:/s/brokis_sp/ES2edjXX-OFKpcT0aK6xCnoBBE34lia4997gBkjsIEV2hQ

CONSTRUCTION SPECIFICATION

Weight:	6.2 lb
Construction material:	glass, metal
Cord length [in]:	86.61 "
Mounting:	Ceiling
Environment:	Dry

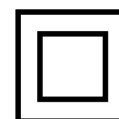
DIMENSIONS [in]



ELECTRICAL SPECIFICATION

Input voltage [V]:	100 - 240 V
Frequency [Hz]:	50-60 Hz
Max. power [W]:	7 W LED
Coverage IP:	20
Socket:	-
Light source:	non-user replaceable LED module

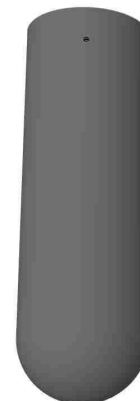
CERTIFICATIONS



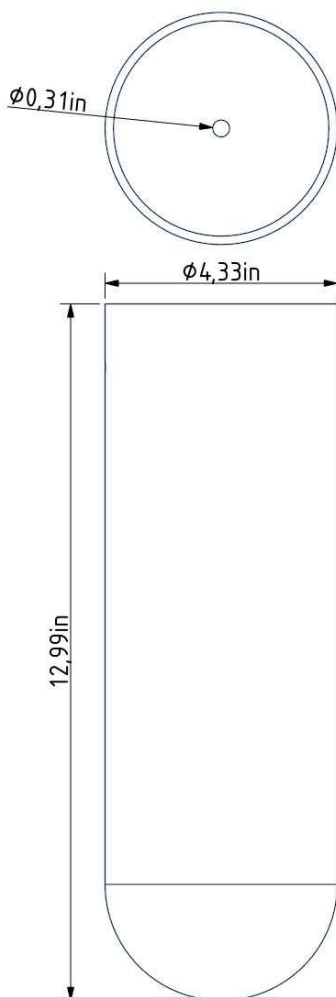


INNER FIXTURE

Dimensions O x w [in] 4.33 x 12.99
Weight [lb] 3 lb
Material metal, glass



Drawing



Hole placement

