

# PH 3½-2½ TABLE

Project name:

Project type:

Notes:



## Variant options

### Light source

1/60W/G16.5/IF candelabra

### Voltage frequency

120V

### Color

- Black metalized
- Green
- Red
- Wht
- Yellow

## Product description

Portable fixture.  
Terse and iconic design.  
The size of the three shades is adjusted for optimum performance and comfort.  
Interior surfaces of glass shades sandblasted to diffuse light.  
Interior surface of top shade in white to direct light downward.  
Member of a family products of various sizes and type.  
Available in four colours.

## Mounting

Portable fixture plugs into standard wall outlet.

## Design

Poul Henningsen

## Weight

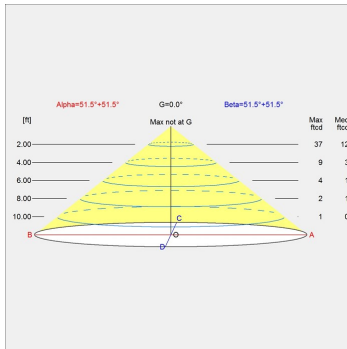
Min: 5.587 lbs Max: 6.548 lbs

## Voltage

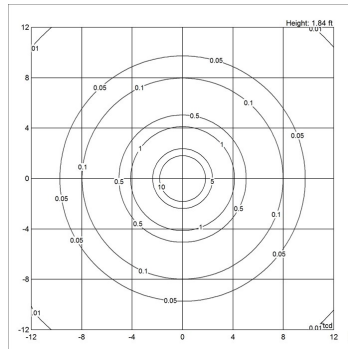
120V

## Light distribution diagrams

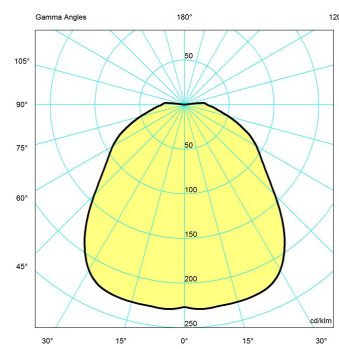
Cartesian



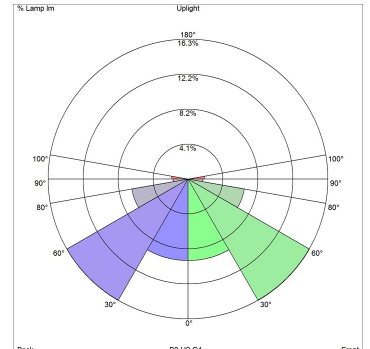
Isolux



Polar



Bug



## Light description

The fixture emits glare free, comfortable light.

## Material

Top shade: spun aluminum, 1.5mm (0.06") thick, wet painted.  
Lower shades: mouth blown white glass, 1.5mm (0.06") thick.  
Struts and socket cover: cast copper, bronze finished.  
Base: steel with bronze finished, copper cover.  
Stem: extruded copper, bronze finished, 2.0mm (0.08") thick.  
Switch: on/off, phenolic, on cord.  
Socket: Porcelain, medium base for A-19, frosted envelope lamps.

## Finish

Black metalized, Green, Red, Wht, Yellow