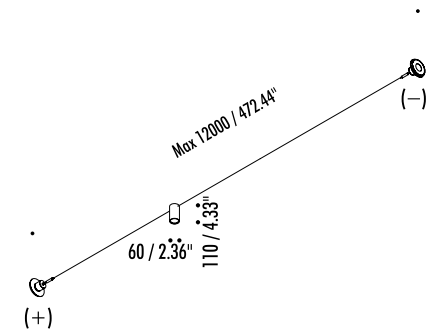
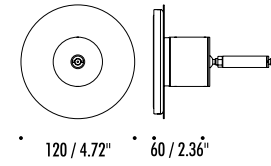


The sizes are expressed in millimeters / inches.

DESIGN DAVIDE GROPPI - 2019
WALL SYSTEM - METAL - PA

OHM ABSOLUTE

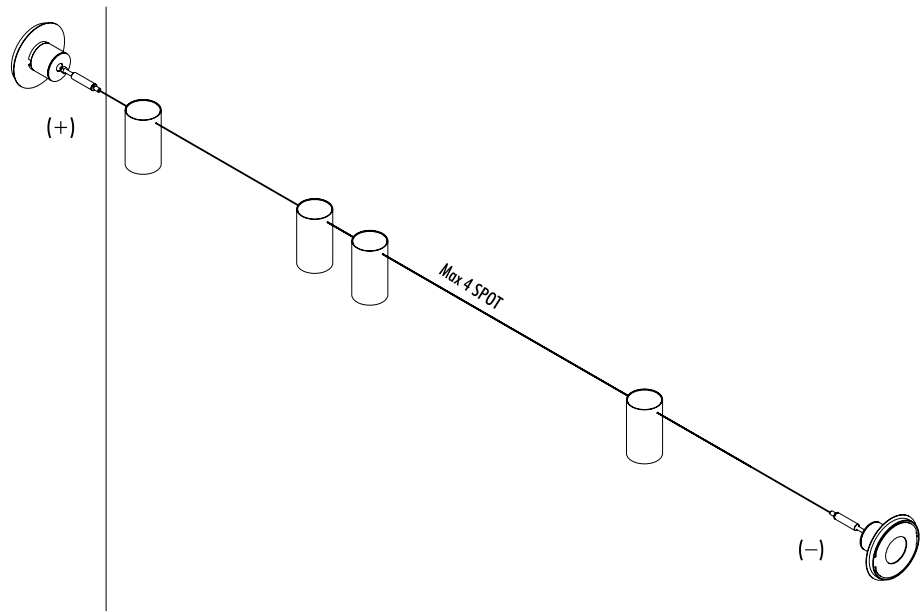
TIE ROD



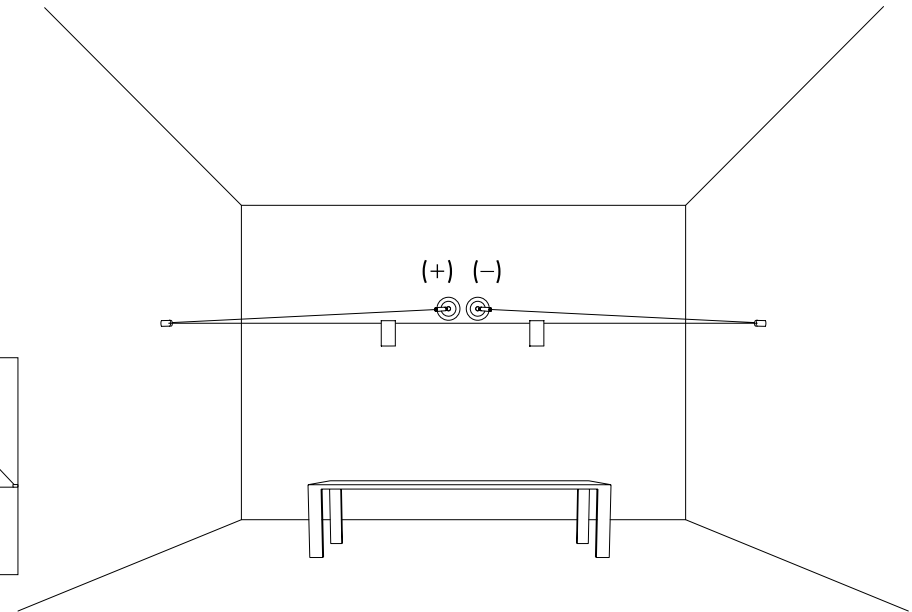
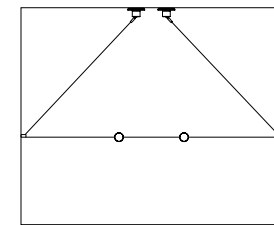
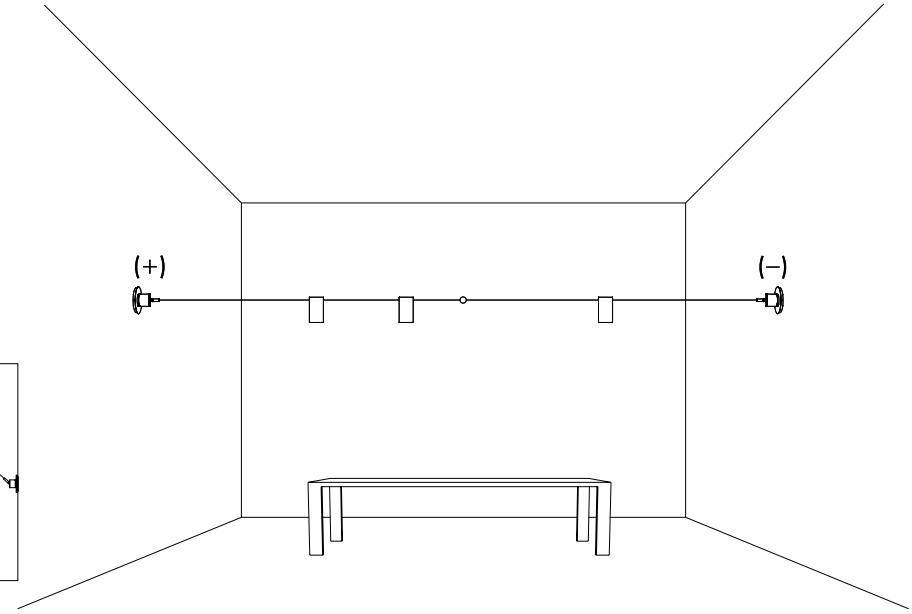
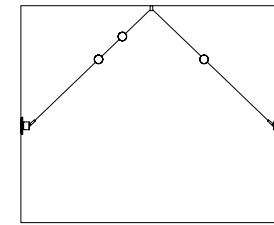
1A0760403	STANDARD NARROW BEAM - 3000K	MAX 350 mA DC - 1 x 3,6 W LED - NARROW BEAM 3000K - 288 lm - CRI > 95 / 2700K - 272 lm - CRI > 95 UNIPOLAR WIRE 12 m - 2 WHITE TIE RODS - MAX 4 SPOT ON UNIPOLAR WIRE COMPULSORY POWER SUPPLY KIT INCLUDED INCLUDES LED DRIVER INPUT 110-240 V - 50/60 Hz - DALI - PUSH - 1-10 V DIMMABLE OPTIONAL ACCESSORIES NOT INCLUDED
1A0760403-27	STANDARD NARROW BEAM - 2700K	
1A0460403	STANDARD MEDIUM BEAM - 3000K	MAX 350 mA DC - 1 x 3,6 W LED - MEDIUM BEAM 3000K - 286 lm - CRI > 95 / 2700K - 270 lm - CRI > 95 UNIPOLAR WIRE 12 m - 2 WHITE TIE RODS - MAX 4 SPOT ON UNIPOLAR WIRE COMPULSORY POWER SUPPLY KIT INCLUDED INCLUDES LED DRIVER INPUT 110-240 V - 50/60 Hz - DALI - PUSH - 1-10 V DIMMABLE OPTIONAL ACCESSORIES NOT INCLUDED
1A0460403-27	STANDARD MEDIUM BEAM - 2700K	

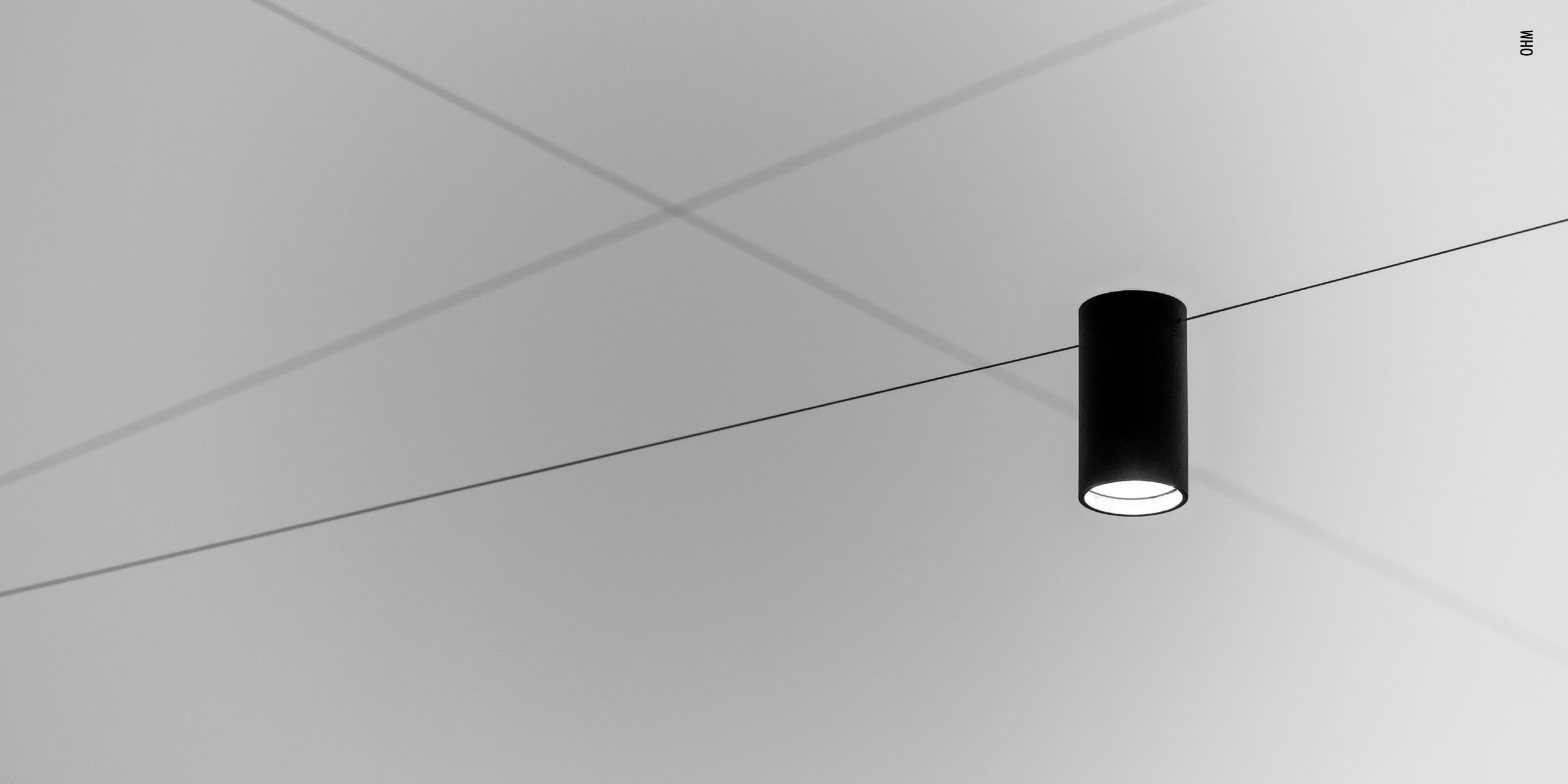
DRIVER DIMENSION

• 79 / 3.11" • • 124 / 4.88" •
22 / 0.87"

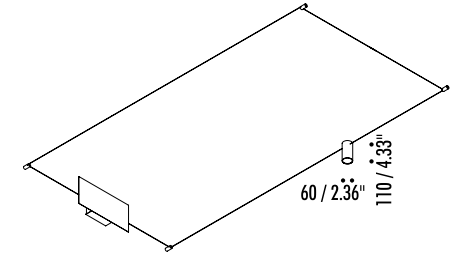
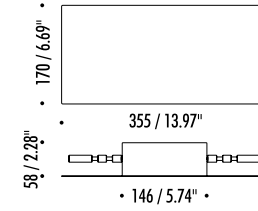


LAYOUT EXAMPLES

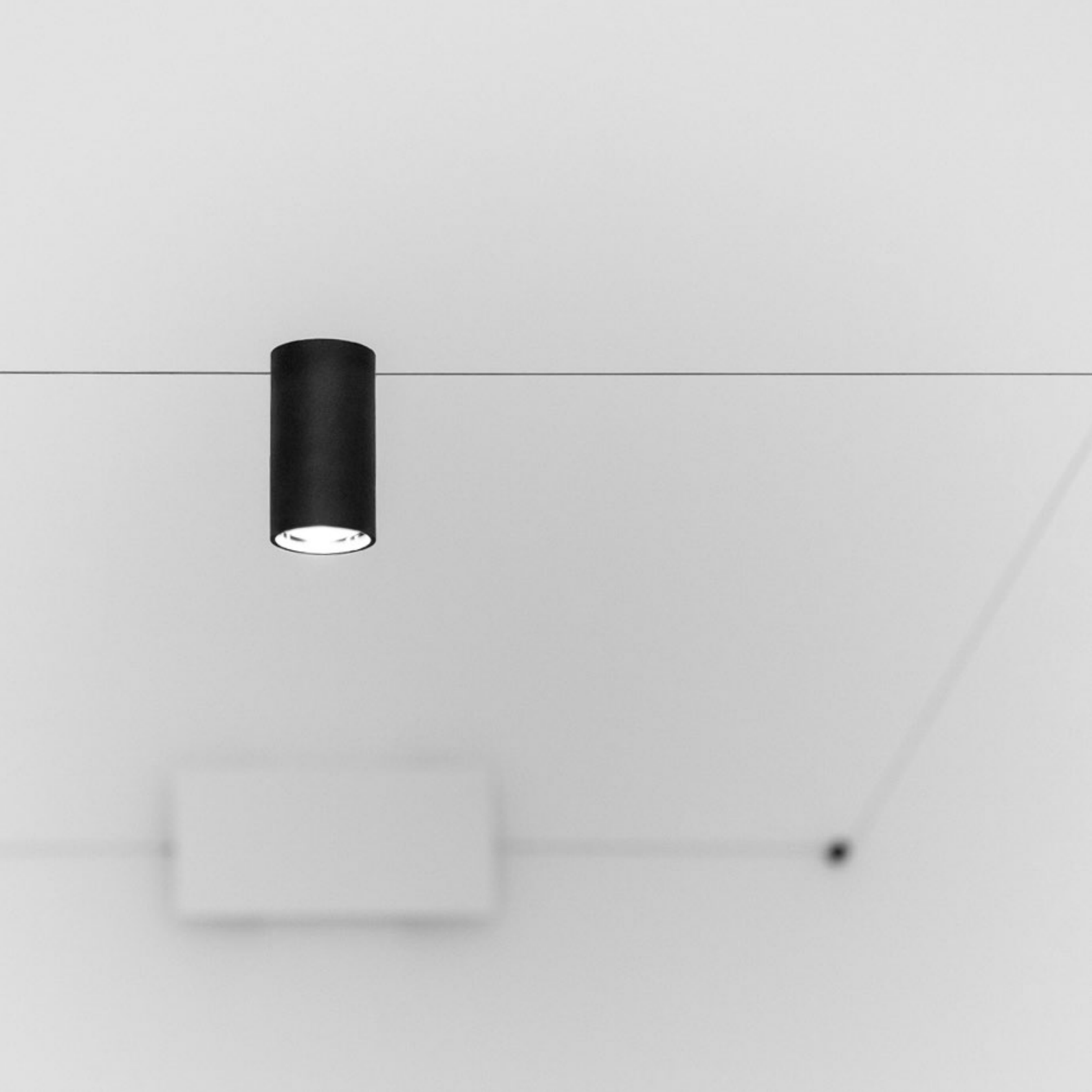




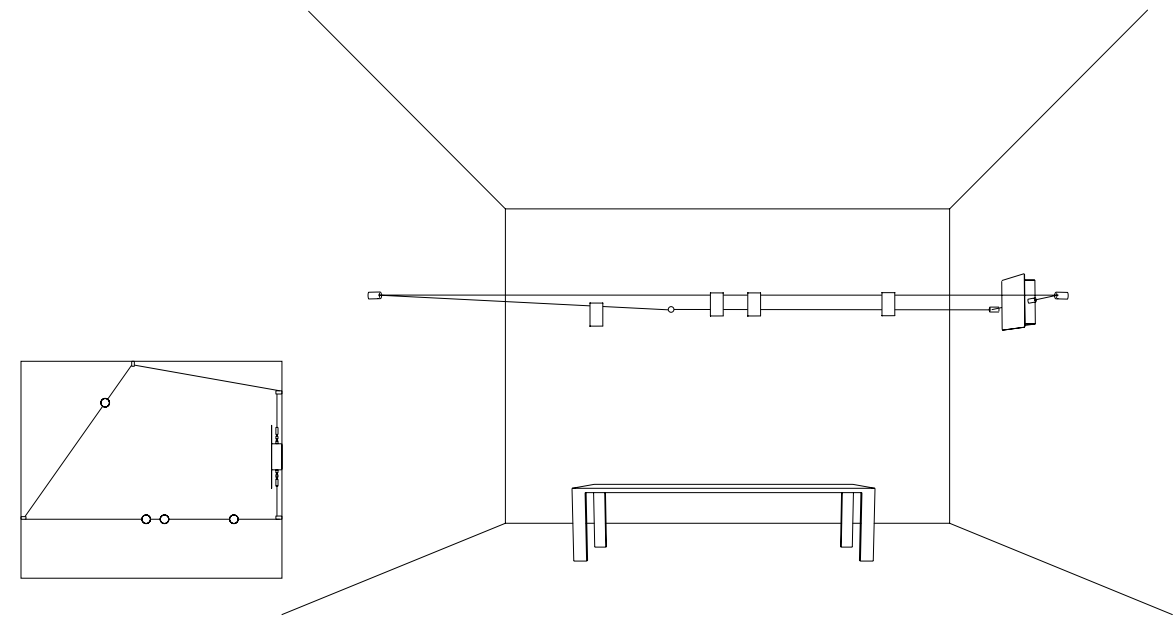
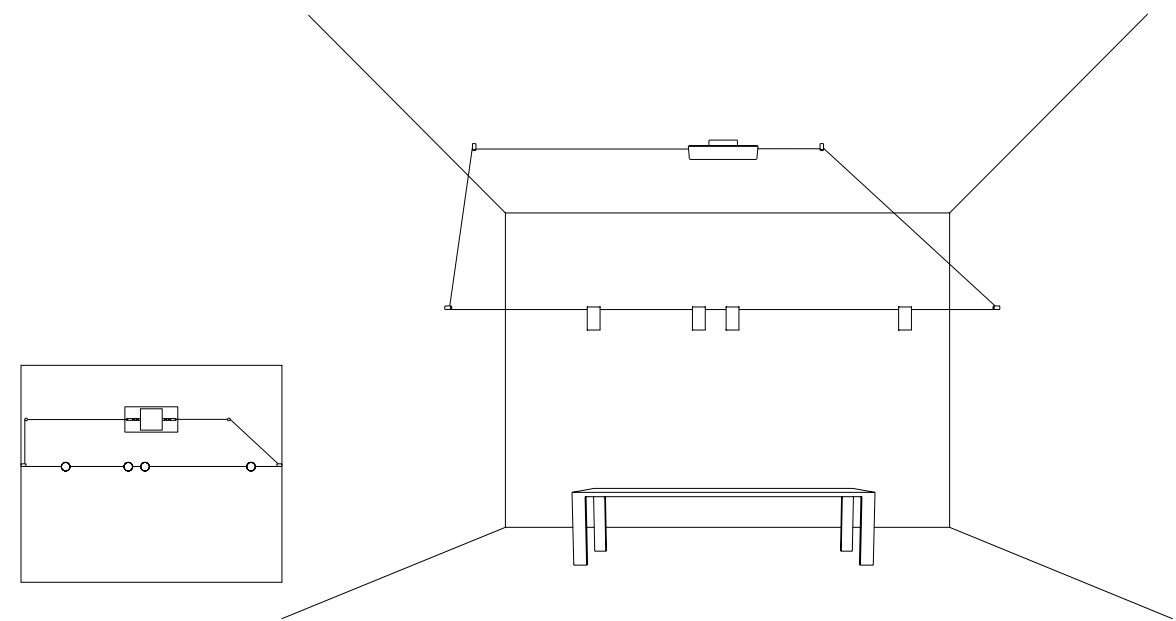
WALL ROSE



1A0750403	STANDARD NARROW BEAM - 3000K	MAX 350 mA DC - 1 x 3,6 W LED - NARROW BEAM 3000K - 288 lm - CRI > 95 / 2700K - 272 lm - CRI > 95 UNIPOLAR WIRE 24 m - 4 BLACK WIRES GUIDE - MAX 4 SPOT ON UNIPOLAR WIRE WHITE WALL ROSE INCLUDES LED DRIVER INPUT 110-240 V - 50/60 Hz - DALI - PUSH - 1-10 V DIMMABLE OPTIONAL ACCESSORIES NOT INCLUDED
1A0750403-27	STANDARD NARROW BEAM - 2700K	
19780403	STANDARD MEDIUM BEAM - 3000K	MAX 350 mA DC - 1 x 3,6 W LED - MEDIUM BEAM 3000K - 286 lm - CRI > 95 / 2700K - 270 lm - CRI > 95 UNIPOLAR WIRE 24 m - 4 BLACK WIRES GUIDE - MAX 4 SPOT ON UNIPOLAR WIRE WHITE WALL ROSE INCLUDES LED DRIVER INPUT 110-240 V - 50/60 Hz - DALI - PUSH - 1-10 V DIMMABLE OPTIONAL ACCESSORIES NOT INCLUDED
19780403-27	STANDARD MEDIUM BEAM - 2700K	


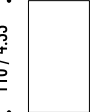


LAYOUT EXAMPLES





OPTIONAL ACCESSORIES

1A0040403	MATT BLACK - NARROW BEAM - 3000K	SPOT OHM - ADDITIONAL LED MODULE MAX 350 mA DC - 3,6 W LED - NARROW BEAM 3000K - 288 lm - CRI > 95 / 2700K - 272 lm - CRI > 95 DALI - PUSH - 1-10 V DIMMABLE - MAX 4 SPOT ON UNIPOLAR WIRE	
1A0040403-27	MATT BLACK - NARROW BEAM - 2700K		
1A0740403	MATT BLACK - MEDIUM BEAM - 3000K	SPOT OHM - ADDITIONAL LED MODULE MAX 350 mA DC - 3,6 W LED - MEDIUM BEAM 3000K - 286 lm - CRI > 95 / 2700K - 270 lm - CRI > 95 DALI - PUSH - 1-10 V DIMMABLE - MAX 4 SPOT ON UNIPOLAR WIRE	
1A0740403-27	MATT BLACK - MEDIUM BEAM - 2700K		
1A0420403	MATT BLACK	WIRE GUIDE	