

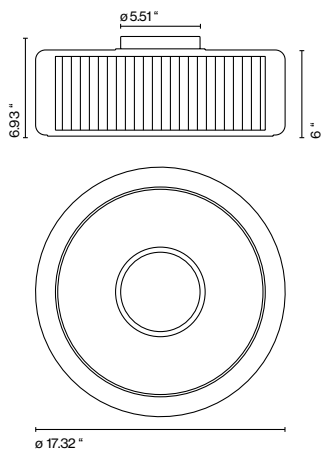


Mercer
Joan Gaspar &
Javier M. Borrás

marset



Mercer C




Mercer C

- ⦿ 2 x E26 TYPE A19 60W
- ⦿ 2 x E26 CFL TYPE T4 20W
- ⦿ 2 x E26 LED TYPE A 11W

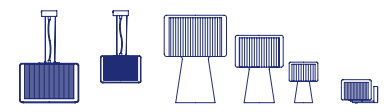
Textile shade that floats inside a transparent blown glass structure. Opal diffuser disk on the lower part.

- Natural cotton ribbon
- Pearl white

 Dry locations only

- [Download](#) Assembly Instructions
- [Download](#) Photometric Data
- [Download](#) 2D
- [Download](#) 3D

Range



info@marset.com
www.marset.com

The fusion of different materials achieves a spectacular result due to its textile shade floating in a transparent blown glass structure.