

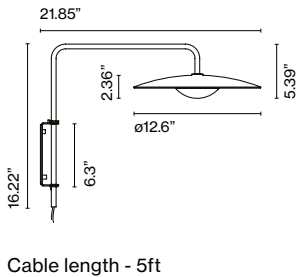


# LED-Ginger Joan Gaspar

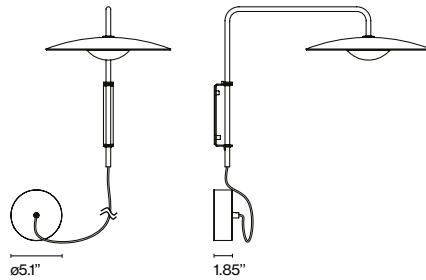
**marset**



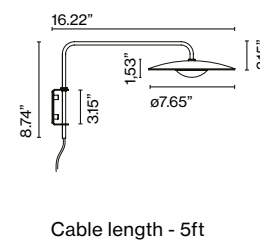
**LED-Ginger A (Plug-in)**



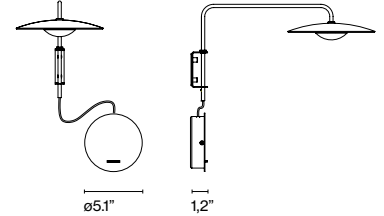
**LED-Ginger A (Hardwired)**



**LED-Ginger 20 A (Plug-in)**



**LED-Ginger 20 A (Hardwired)**



**LED-Ginger A**

LED SMD 14W 700mA 2700K  
CRI90  
Delivered lumens 350lm  
(included)

**LED-Ginger 20 A**

LED SMD 6W 700mA  
2700K CRI90  
Delivered lumens 139lm  
(included)

- Oak
- Wenge

Black electrical cord

Dimmer\*/Dimmable\*\*

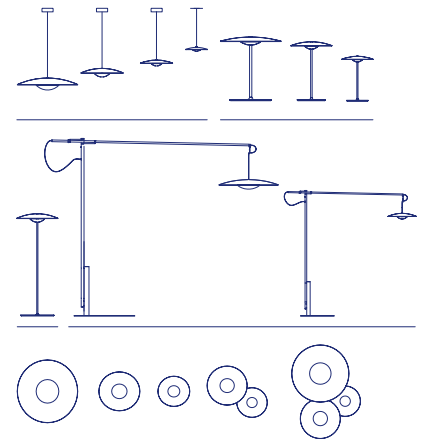
\* LED-Ginger A/20 A  
Plug-in version only 3-step  
dimmer

\*\* LED-Ginger A  
Hardwired version: triac phase  
control dimmer (120V only)

Pressed wood diffuser of 0.16" in natural oak or wenge. Injected aluminum dissipater and metal structure in lacquered black matte.

- [Download](#) Assembly Instructions
- [Download](#) Photometric Data
- [Download](#) 2D
- [Download](#) 3D

**Range**



**WARNING.** California Proposition 65 Warning for California Consumers. This product can expose you to chemicals including wood dust and lead which are known to the State of California to cause cancer or birth defects or other reproductive harm. For more information go to [www.P65Warnings.ca.gov](http://www.P65Warnings.ca.gov)

**Watch the video**  
[marsetusa@marset.com](mailto:marsetusa@marset.com)  
[www.marset.com](http://www.marset.com)



This wall version adds a simple folding structure to the lampshade, turning it into the perfect lamp for the head of a bed, to illuminate a reading corner or even to be used as an occasional lamp over a table.

### How LED-Ginger illuminates

**LED-Ginger 20 A**

**LED-Ginger A**

