



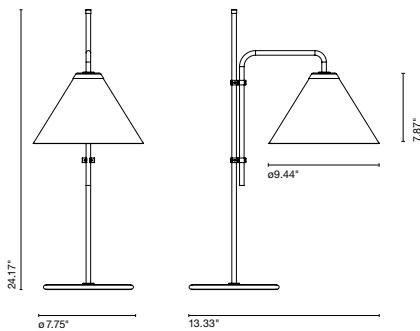
Funiculí Fabric

Lluís Porqueras

marset



Funiculí S Fabric



Funiculí S Fabric

E12 LED 5W

Black electrical cord

Base and stem in lacquered iron. White or sand polyester shade, made of a PVC-PET laminated film. Base wrapped with black rubber.

- Black-White
- Black-Sand



* Under approval process.

Dry locations only

- [Download](#) Assembly instructions
- [Download](#) 2D
- [Download](#) 3D
- [Download](#) Photometric data

Range



Watch the video
info@marset.com
www.marset.com

Heir to the first Funiculí, this year we present a new version with a fabric shade, a design that Lluís Porqueras first conceived in 1979 but that is only now seeing the light of day. The essence of both lamps continues to be their simplicity, but the new design is chic and classical, perhaps even more sophisticated than the original.