

DATASHEET

Type: **GEOMETRIC**
Name: Pendant light
ID: US1150
Designed by: Boris Klimek & Lenka Dámová



Download

Description

Geometric accentuates the aesthetic expression and structure of BROKISGLASS, which itself is remarkably distinctive. The collection is defined by basic geometric shapes that characterize the overall contours of the lights and instil them with a singular graphic element to achieve a striking contrast with the animate, almost sculptural makeup of the glass.



Tech. description

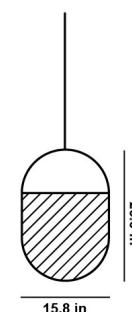
The light comprises a metal frame encased from both sides in BROKISGLASS, while internal LED 24VDC modules with optical elements scatter light evenly across the glass. The light is hung on two steel wires extending from a ceiling canopy, which also houses the electronics.

Colours options: https://brokis.sharepoint.com/:b:/s/brokis_sp/EbxtWJ-APEINrvqTRoi1QWkB_S49pnEDmRTToyOKrJTgLAw

CONSTRUCTION SPECIFICATION

Weight: 34.97 lb
Construction material: glass, metal
Cord length [in]: 86.61 "
Mounting: Ceiling
Environment: Dry

DIMENSIONS [in]



ELECTRICAL SPECIFICATION

Input voltage [V]: 100 - 240 V
Frequency [Hz]: 50-60 Hz
Max. power [W]: 45 W
Coverage IP: 20
Socket: -
Light source: LED module

CERTIFICATIONS



BROKIS S.R.O.
ŠPANILOVA 1315/25
163 00 PRAHA 6 - ŘEPY
CZECH REPUBLIC

ORG ID 64940799
VAT ID CZ64940799
C 42174 MĚSTSKÝ SOUD
V PRAZE

TEL +420 567 211 517
TECHNICAL@BROKIS.CZ
INFO@BROKIS.CZ
WWW.BROKIS.CZ

2022_02
PAGE 1



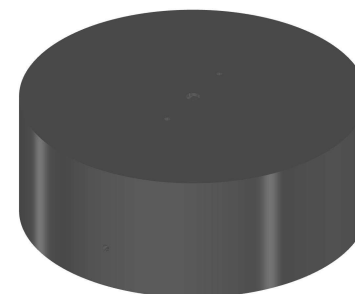
CM11919 Geometric LED modul pulkrüh 2700K

Type	LED module
Lamp wattage [W]	10 W
Input voltage [V]	24 VDC
Energy class	A+
Flux [lm]	1250 lm
Light colour [K]	2700 K
CRI	90+
Lifespan [h]	20000h
Dimmable	yes (PWM)

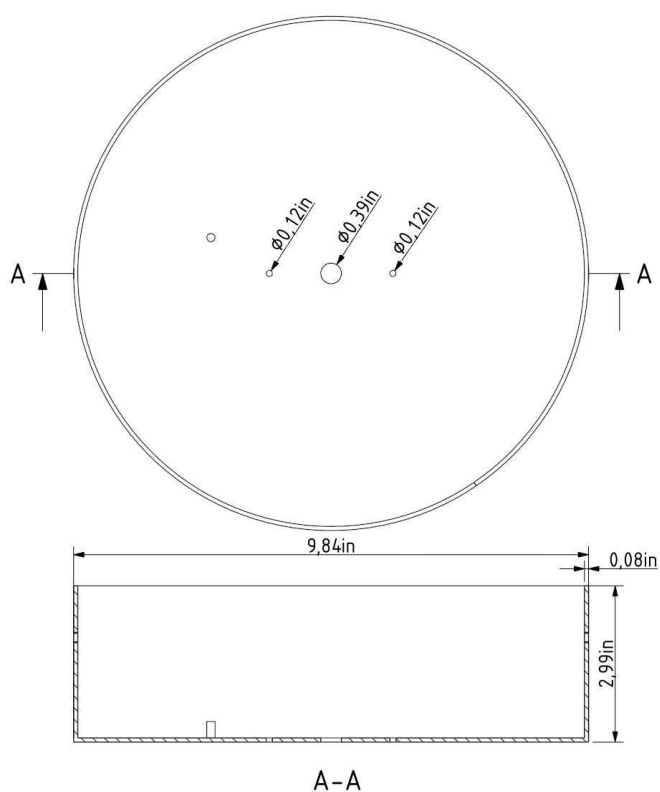


INNER FIXTURE

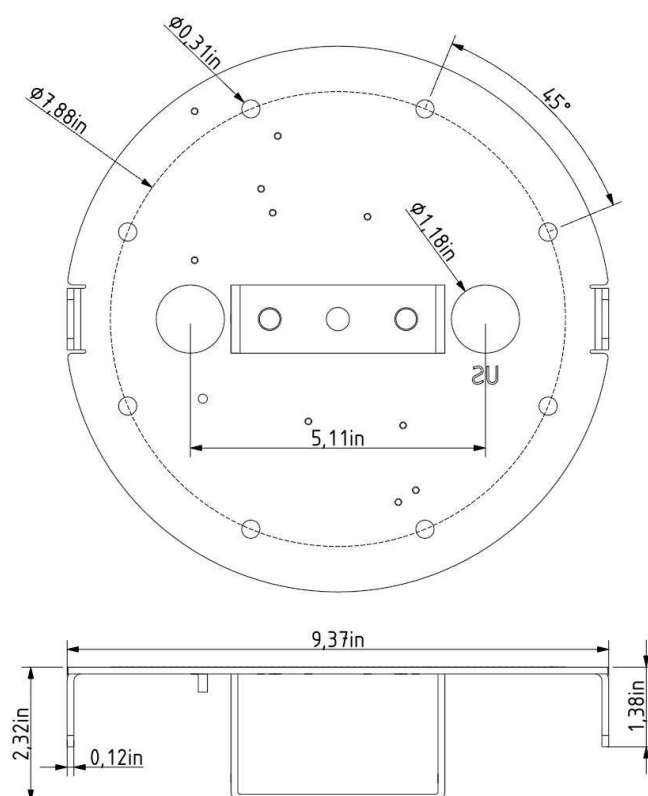
Dimensions O x w [in] 9.84 x 2.99 in
Weight [lb] 8 lb
Material metal



Drawing



Hole placement



DATASHEET

Type: **GEOMETRIC**
Name: Pendant light
ID: US1147
Designed by: Boris Klimek & Lenka Dámová



Download

Description

Geometric accentuates the aesthetic expression and structure of BROKISGLASS, which itself is remarkably distinctive. The collection is defined by basic geometric shapes that characterize the overall contours of the lights and instil them with a singular graphic element to achieve a striking contrast with the animate, almost sculptural makeup of the glass.



Tech. description

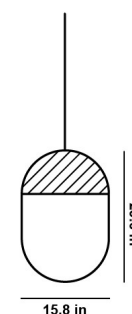
The light comprises a metal frame encased from both sides in BROKISGLASS, while internal LED 24VDC modules with optical elements scatter light evenly across the glass. The light is hung on two steel wires extending from a ceiling canopy, which also houses the electronics.

Colours options: https://brokis.sharepoint.com/:b:/s/brokis_sp/EYNzDFvCabxCrG5t0TPxP7YBZHeVIUEwnXfDgrtvW5qbNg

CONSTRUCTION SPECIFICATION

Weight: 21.74 lb
Construction material: glass, metal
Cord length [in]: 86.61 "
Mounting: Ceiling
Environment: Dry

DIMENSIONS [in]



ELECTRICAL SPECIFICATION

Input voltage [V]: 100 - 240 V
Frequency [Hz]: 50-60 Hz
Max. power [W]: 25 W
Coverage IP: 20
Socket: -
Light source: LED module

CERTIFICATIONS



BROKIS S.R.O.
ŠPANILOVA 1315/25
163 00 PRAHA 6 - ŘEPY
CZECH REPUBLIC

ORG ID 64940799
VAT ID CZ64940799
C 42174 MĚSTSKÝ SOUD
V PRAZE

TEL +420 567 211 517
TECHNICAL@BROKIS.CZ
INFO@BROKIS.CZ
WWW.BROKIS.CZ

2022_02
PAGE 1



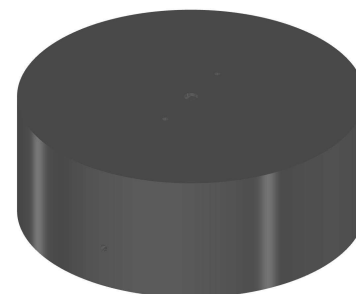
CM11919 Geometric LED modul pulkrüh 2700K

Type	LED module
Lamp wattage [W]	10 W
Input voltage [V]	24 VDC
Energy class	A+
Flux [lm]	1250 lm
Light colour [K]	2700 K
CRI	90+
Lifespan [h]	20000h
Dimmable	yes (PWM)

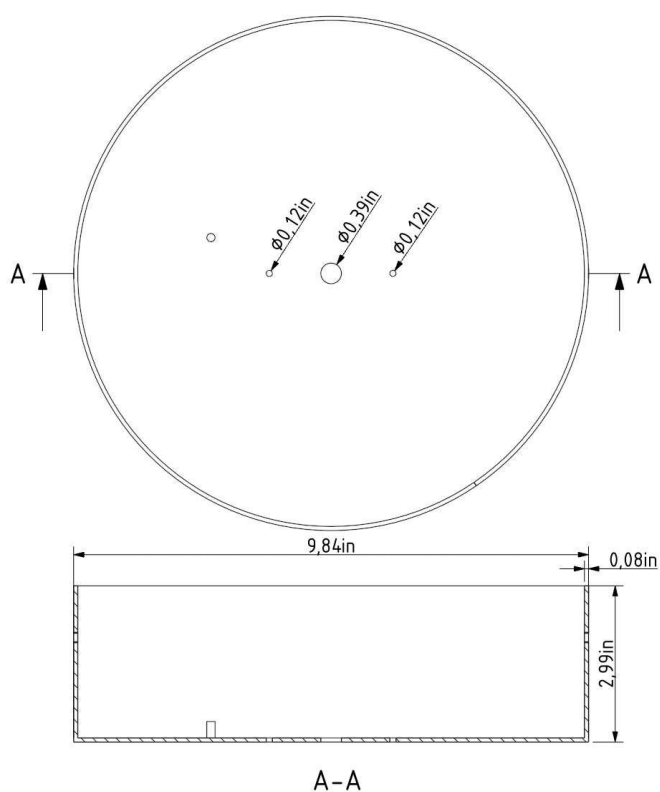


INNER FIXTURE

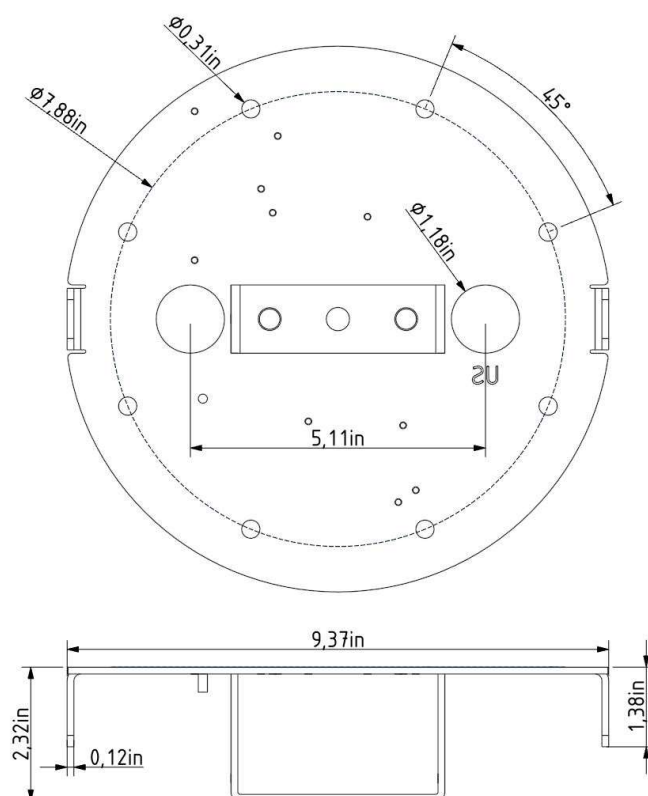
Dimensions O x w [in] 9.84 x 2.99 in
Weight [lb] 8 lb
Material metal



Drawing



Hole placement



DATASHEET

Type: **GEOMETRIC**
Name: Pendant light
ID: US1146
Designed by: Boris Klimek & Lenka Dámová



Download

Description

Geometric accentuates the aesthetic expression and structure of BROKISGLASS, which itself is remarkably distinctive. The collection is defined by basic geometric shapes that characterize the overall contours of the lights and instil them with a singular graphic element to achieve a striking contrast with the animate, almost sculptural makeup of the glass.



Tech. description

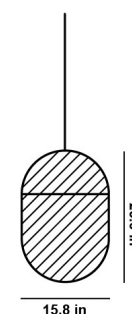
The light comprises a metal frame encased from both sides in BROKISGLASS, while internal LED 24VDC modules with optical elements scatter light evenly across the glass. The light is hung on two steel wires extending from a ceiling canopy, which also houses the electronics.

Colours options: https://brokis.sharepoint.com/:b:/s/brokis_sp/Edy1Y6oDKxtBtnLxqwIMBF0Bu3XubzTm9be4n-4PODH8MA

CONSTRUCTION SPECIFICATION

Weight: 40.48 lb
Construction material: glass, metal
Cord length [in]: 86.61 "
Mounting: Ceiling
Environment: Dry

DIMENSIONS [in]



ELECTRICAL SPECIFICATION

Input voltage [V]: 100 - 240 V
Frequency [Hz]: 50-60 Hz
Max. power [W]: 65 W
Coverage IP: 20
Socket: -
Light source: LED module

CERTIFICATIONS



BROKIS S.R.O.
ŠPANILOVA 1315/25
163 00 PRAHA 6 - ŘEPY
CZECH REPUBLIC

ORG ID 64940799
VAT ID CZ64940799
C 42174 MĚSTSKÝ SOUD
V PRAZE

TEL +420 567 211 517
TECHNICAL@BROKIS.CZ
INFO@BROKIS.CZ
WWW.BROKIS.CZ

2022_02
PAGE 1



CM11919 Geometric LED modul pulkruh 2700K

Type	LED module
Lamp wattage [W]	10 W
Input voltage [V]	24 VDC
Energy class	A+
Flux [lm]	1250 lm
Light colour [K]	2700 K
CRI	90+
Lifespan [h]	20000h
Dimmable	yes (PWM)



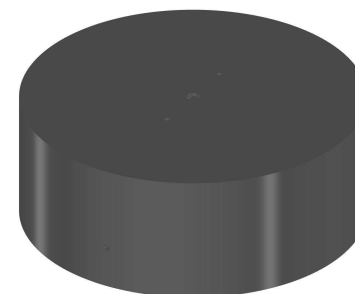
CM11918 Geometric LED modul oval 2700K

Type	LED module
Lamp wattage [W]	20 W
Input voltage [V]	24 VDC
Energy class	A+
Flux [lm]	2500 lm
Light colour [K]	2700 K
CRI	90+
Lifespan [h]	20000h
Dimmable	yes (PWM)

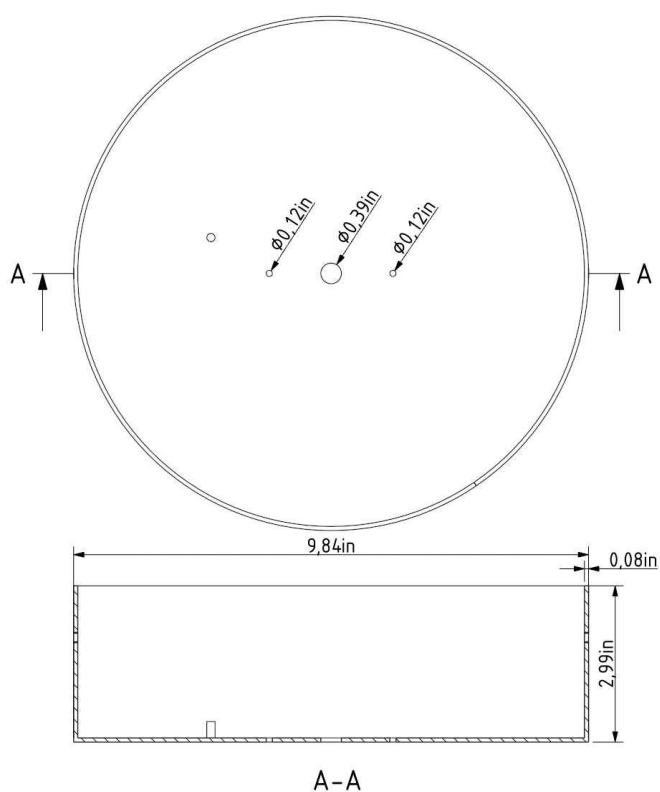


INNER FIXTURE

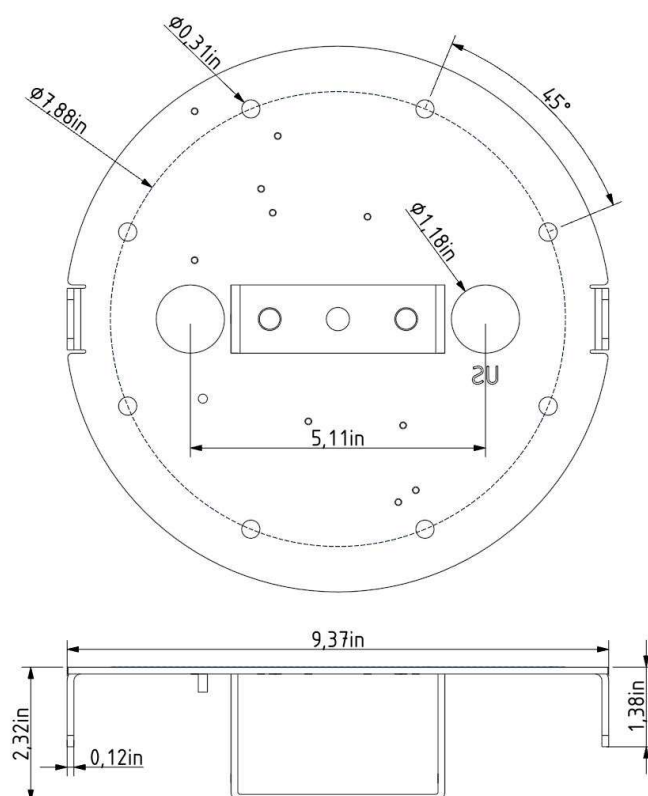
Dimensions O x w [in] 9.84 x 2.99 in
Weight [lb] 8 lb
Material metal



Drawing



Hole placement



DATASHEET

Type: **GEOMETRIC**
Name: Pendant light
ID: US1145
Designed by: Boris Klimek & Lenka Dámová



Download

Description

Geometric accentuates the aesthetic expression and structure of BROKISGLASS, which itself is remarkably distinctive. The collection is defined by basic geometric shapes that characterize the overall contours of the lights and instil them with a singular graphic element to achieve a striking contrast with the animate, almost sculptural makeup of the glass.



Tech. description

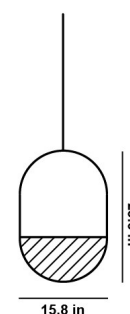
The light comprises a metal frame encased from both sides in BROKISGLASS, while internal LED 24VDC modules with optical elements scatter light evenly across the glass. The light is hung on two steel wires extending from a ceiling canopy, which also houses the electronics.

Colours options: https://brokis.sharepoint.com/:b:/s/brokis_sp/EehT4bus6GVGod6o81Knx4wBWQ7UAA80VcKNJqeaObKcYQ

CONSTRUCTION SPECIFICATION

Weight: 20.64 lb
Construction material: glass, metal
Cord length [in]: 86.61 "
Mounting: Ceiling
Environment: Dry

DIMENSIONS [in]



ELECTRICAL SPECIFICATION

Input voltage [V]: 100 - 240 V
Frequency [Hz]: 50-60 Hz
Max. power [W]: 25 W
Coverage IP: 20
Socket: -
Light source: LED module

CERTIFICATIONS



BROKIS S.R.O.
ŠPANILOVA 1315/25
163 00 PRAHA 6 - ŘEPY
CZECH REPUBLIC

ORG ID 64940799
VAT ID CZ64940799
C 42174 MĚSTSKÝ SOUD
V PRAZE

TEL +420 567 211 517
TECHNICAL@BROKIS.CZ
INFO@BROKIS.CZ
WWW.BROKIS.CZ

2022_02
PAGE 1



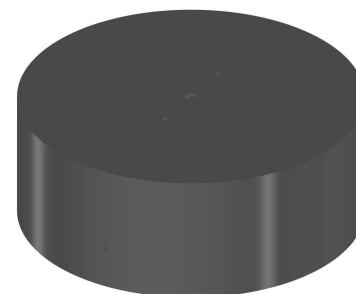
CM11919 Geometric LED modul pulkrüh 2700K

Type	LED module
Lamp wattage [W]	10 W
Input voltage [V]	24 VDC
Energy class	A+
Flux [lm]	1250 lm
Light colour [K]	2700 K
CRI	90+
Lifespan [h]	20000h
Dimmable	yes (PWM)

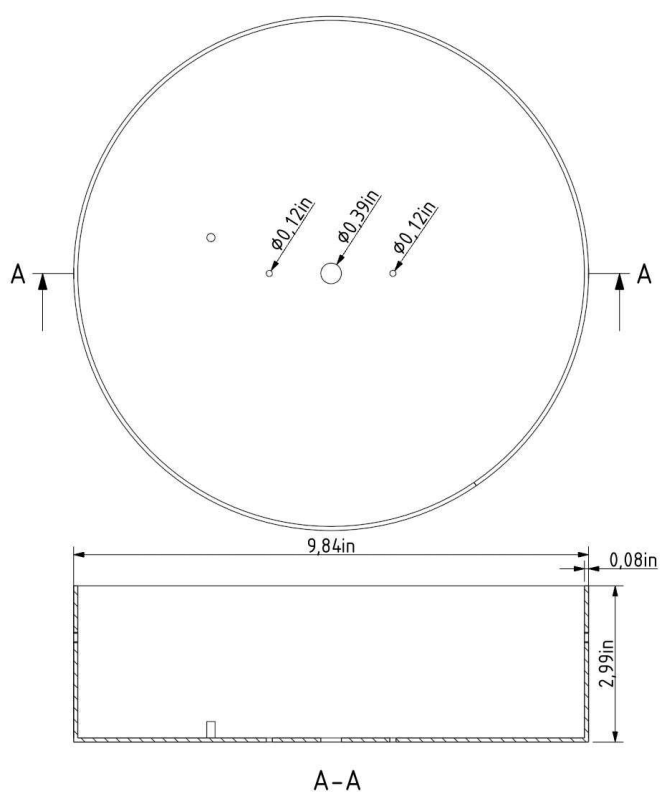


INNER FIXTURE

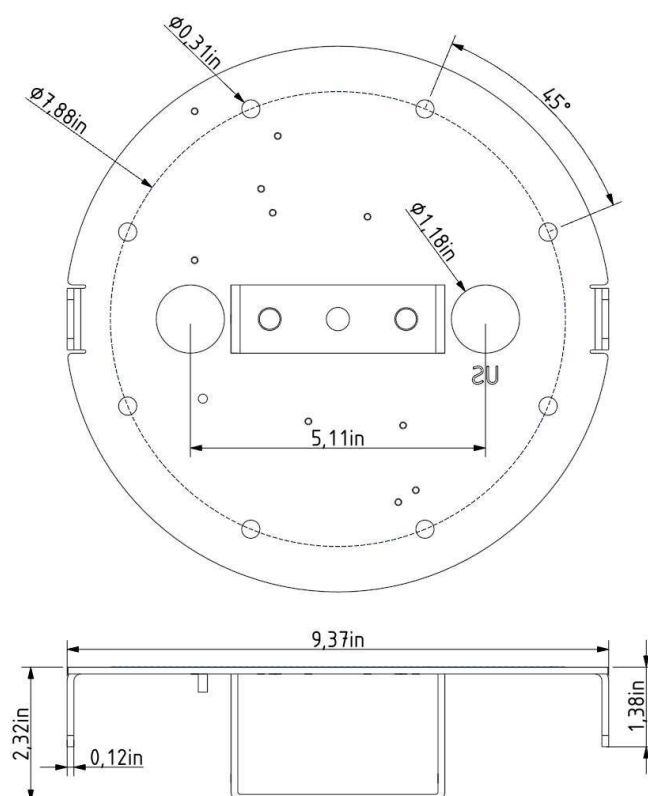
Dimensions O x w [in] 9.84 x 2.99 in
Weight [lb] 8 lb
Material metal



Drawing



Hole placement



DATASHEET

Type: **GEOMETRIC**
Name: Pendant light
ID: US1144
Designed by: Boris Klimek & Lenka Dámová



Download

Description

Geometric accentuates the aesthetic expression and structure of BROKISGLASS, which itself is remarkably distinctive. The collection is defined by basic geometric shapes that characterize the overall contours of the lights and instil them with a singular graphic element to achieve a striking contrast with the animate, almost sculptural makeup of the glass.



Tech. description

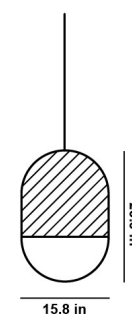
The light comprises a metal frame encased from both sides in BROKISGLASS, while internal LED 24VDC modules with optical elements scatter light evenly across the glass. The light is hung on two steel wires extending from a ceiling canopy, which also houses the electronics.

Colours options: https://brokis.sharepoint.com/:b:/s/brokis_sp/Ead1tYrWj0hDoeCRSvTGoLkBsYeIFCKwoukgJsbSxQ6UIQ

CONSTRUCTION SPECIFICATION

Weight: 34.97 lb
Construction material: glass, metal
Cord length [in]: 86.61 "
Mounting: Ceiling
Environment: Dry

DIMENSIONS [in]



ELECTRICAL SPECIFICATION

Input voltage [V]: 100 - 240 V
Frequency [Hz]: 50-60 Hz
Max. power [W]: 45 W
Coverage IP: 20
Socket: -
Light source: LED module

CERTIFICATIONS



BROKIS S.R.O.
ŠPANILOVA 1315/25
163 00 PRAHA 6 - ŘEPY
CZECH REPUBLIC

ORG ID 64940799
VAT ID CZ64940799
C 42174 MĚSTSKÝ SOUD
V PRAZE

TEL +420 567 211 517
TECHNICAL@BROKIS.CZ
INFO@BROKIS.CZ
WWW.BROKIS.CZ

2022_02
PAGE 1



**CM11918 Geometric LED modul oval
2700K**

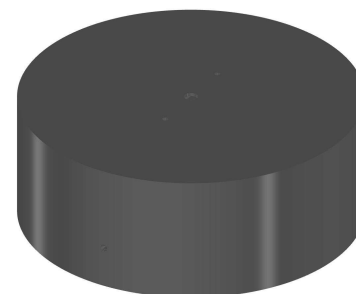
Type	LED module
Lamp wattage [W]	20 W
Input voltage [V]	24 VDC
Energy class	A+
Flux [lm]	2500 lm
Light colour [K]	2700 K
CRI	90+
Lifespan [h]	20000h
Dimmable	yes (PWM)



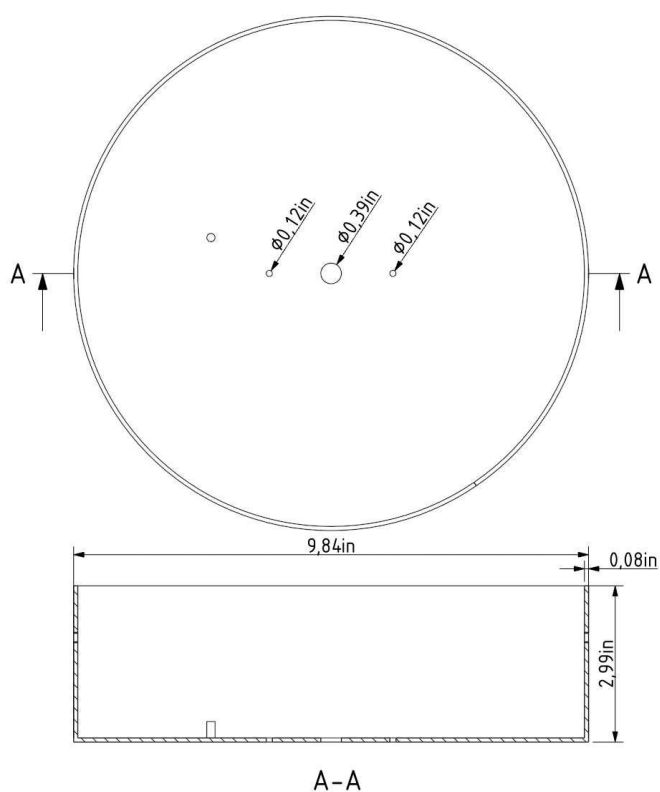


INNER FIXTURE

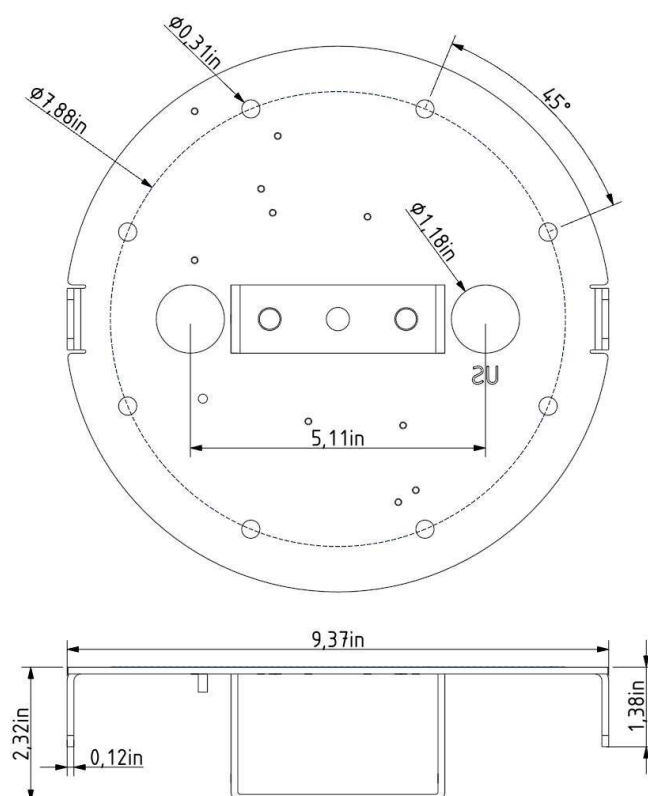
Dimensions O x w [in] 9.84 x 2.99 in
Weight [lb] 8 lb
Material metal



Drawing



Hole placement



DATASHEET

Type: **GEOMETRIC**
Name: Pendant light
ID: US1143
Designed by: Boris Klimek & Lenka Dámová



Download

Description

Geometric accentuates the aesthetic expression and structure of BROKISGLASS, which itself is remarkably distinctive. The collection is defined by basic geometric shapes that characterize the overall contours of the lights and instil them with a singular graphic element to achieve a striking contrast with the animate, almost sculptural makeup of the glass.



Tech. description

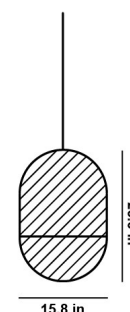
The light comprises a metal frame encased from both sides in BROKISGLASS, while internal LED 24VDC modules with optical elements scatter light evenly across the glass. The light is hung on two steel wires extending from a ceiling canopy, which also houses the electronics.

Colours options: https://brokis.sharepoint.com/:b:/s/brokis_sp/EZ6AUmyNA9hCmv1CQL_NUPgBvYeDmtyKP-JizpPrGGM8HQ

CONSTRUCTION SPECIFICATION

Weight: 40.48 lb
Construction material: glass, metal
Cord length [in]: 86.61 "
Mounting: Ceiling
Environment: Dry

DIMENSIONS [in]



ELECTRICAL SPECIFICATION

Input voltage [V]: 100 - 240 V
Frequency [Hz]: 50-60 Hz
Max. power [W]: 65 W
Coverage IP: 20
Socket: -
Light source: LED module

CERTIFICATIONS



BROKIS S.R.O.
ŠPANILOVA 1315/25
163 00 PRAHA 6 - ŘEPY
CZECH REPUBLIC

ORG ID 64940799
VAT ID CZ64940799
C 42174 MĚSTSKÝ SOUD
V PRAZE

TEL +420 567 211 517
TECHNICAL@BROKIS.CZ
INFO@BROKIS.CZ
WWW.BROKIS.CZ

2022_02
PAGE 1



CM11919 Geometric LED modul pulkruh 2700K

Type	LED module
Lamp wattage [W]	10 W
Input voltage [V]	24 VDC
Energy class	A+
Flux [lm]	1250 lm
Light colour [K]	2700 K
CRI	90+
Lifespan [h]	20000h
Dimmable	yes (PWM)



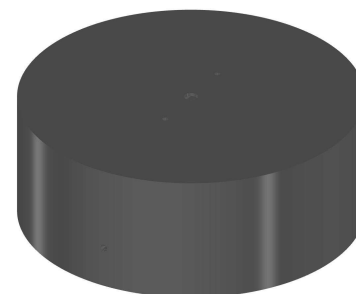
CM11918 Geometric LED modul oval 2700K

Type	LED module
Lamp wattage [W]	20 W
Input voltage [V]	24 VDC
Energy class	A+
Flux [lm]	2500 lm
Light colour [K]	2700 K
CRI	90+
Lifespan [h]	20000h
Dimmable	yes (PWM)

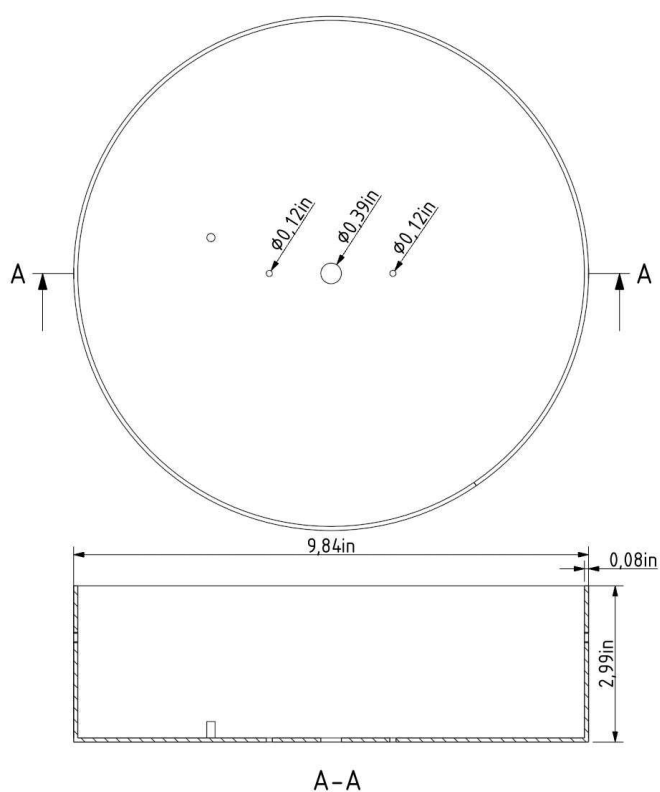


INNER FIXTURE

Dimensions O x w [in] 9.84 x 2.99 in
Weight [lb] 8 lb
Material metal



Drawing



Hole placement

