

Snoopy - Specification Sheet

by Achille and Pier Giacomo Castiglioni, 1967

Mounting

Lamp (Bulb) Description	1 x 1 X 72W BT-15 ECO Halogen
Environment	Indoor - Dry Location
Finish	Black
Technical and Product Description	SNOOPY table lamp providing direct light through a thick glass disc and an enameled reflector, both resting in perfect balance on a white marble base. Originally designed by Achille and Pier Giacomo Castiglioni in 1967, re-introduced in 2003. Integral dimmer and switch.

Electrical

Voltage	120
Switching	Touch-sensor dimmer

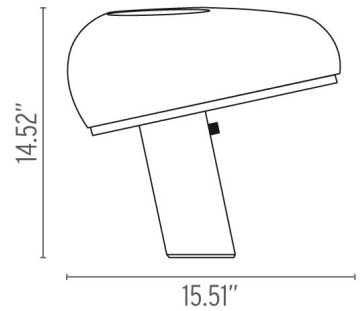
Physical

Construction Material	Marble, steel
Weight	17.4



● FU638030 Black

Dimensional Image



Lamping (Bulb)



72W BT-15 ECO Halogen

