

DATASHEET

Type: **NIGHT BIRDS**
Name: Pendent light
ID: US963
Designed by: Boris Klimek



Download

Description

Night Birds differ from the other collections in the unique technology applied in production, which involves melting glass into a mold and then bending it. The process makes it possible to instill delicate nuances in the shape of the wings and achieve a coloration of the glass that is different and wholly unique each time

Tech. description

The light consists of a metal section with lead cable and GZ10 light source socket. The glass element is suspended from the metal section. The light includes a metal ceiling canopy.

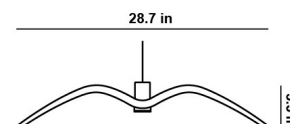


Colours options: https://brokis.sharepoint.com/:b:/s/brokis_sp/EXwxCodkftdPiAQsxDQvRtoBkWDI-bET2D0xp_m7QdVMVA

CONSTRUCTION SPECIFICATION

Weight: 5.4 lb
Construction material: glass, metal
Cord length [in]: 78.74 "
Mounting: Ceiling
Environment: Dry

DIMENSIONS [in]



ELECTRICAL SPECIFICATION

Input voltage [V]: 120 V
Frequency [Hz]: 60 Hz
Max. power [W]: 10 W
Coverage IP: 20
Socket: GZ10
Light source: -

CERTIFICATIONS



BROKIS S.R.O.
ŠPANILOVA 1315/25
163 00 PRAHA 6 - ŘEPY
CZECH REPUBLIC

ORG ID 64940799
VAT ID CZ64940799
C 42174 MĚSTSKÝ SOUD
V PRAZE

TEL +420 567 211 517
TECHNICAL@BROKIS.CZ
INFO@BROKIS.CZ
WWW.BROKIS.CZ

2022_12
PAGE 1

DATASHEET

RECOMMENDED BULBS



Download



CM3161

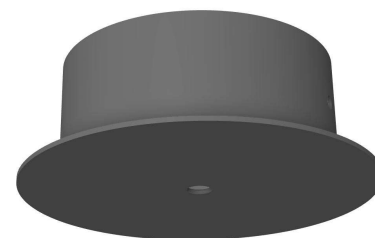
Socket	GU10
Type	LED
Lamp wattage [W]	5 W
Input voltage [V]	100 - 120 VAC
Flux [lm]	336 lm
Light colour [K]	2200 K
CRI	90+
Lifespan [h]	25000h
Dimmable	yes
Dimensions h x w [in]	2.16 x 1.96 "



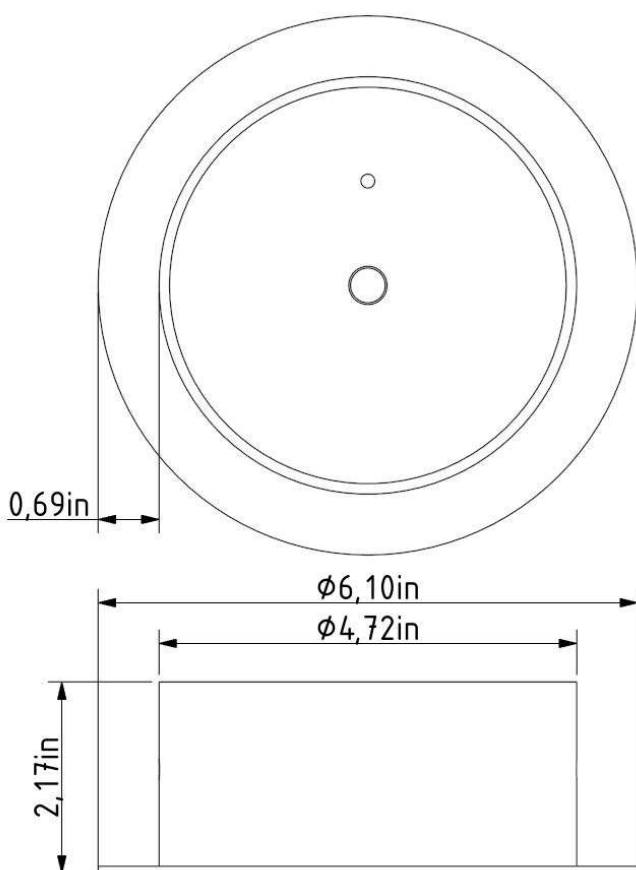


INNER FIXTURE

Dimensions O x w [in] 6.1 x 2.17
Weight [lb] 2 lb
Material metal



Drawing



Hole placement

