

# DATASHEET

Type: **NIGHT BIRDS**  
Name: Pendent light  
ID: US962  
Designed by: Boris Klimek



Download

## Description

Night Birds differ from the other collections in the unique technology applied in production, which involves melting glass into a mold and then bending it. The process makes it possible to instill delicate nuances in the shape of the wings and achieve a coloration of the glass that is different and wholly unique each time



## Tech. description

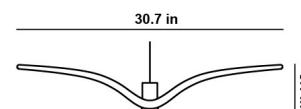
The light consists of a metal section with lead cable and GZ10 light source socket. The glass element is suspended from the metal section. The light includes a metal ceiling canopy.

Colours options: [https://brokis.sharepoint.com/:b:/s/brokis\\_sp/EQ7OITiX1ZDjER0DzefdxwBXs44kJyqUpz3g2ZjRP9tbQ](https://brokis.sharepoint.com/:b:/s/brokis_sp/EQ7OITiX1ZDjER0DzefdxwBXs44kJyqUpz3g2ZjRP9tbQ)

## CONSTRUCTION SPECIFICATION

**Weight:** 5.4 lb  
**Construction material:** glass, metal  
**Cord length [in]:** 78.74 "  
**Mounting:** Ceiling  
**Environment:** Dry

## DIMENSIONS [in]



## ELECTRICAL SPECIFICATION

**Input voltage [V]:** 120 V  
**Frequency [Hz]:** 60 Hz  
**Max. power [W]:** 10 W  
**Coverage IP:** 20  
**Socket:** GZ10  
**Light source:** -

## CERTIFICATIONS



BROKIS®

BROKIS S.R.O.  
ŠPANILOVA 1315/25  
163 00 PRAHA 6 - ŘEPY  
CZECH REPUBLIC

ORG ID 64940799  
VAT ID CZ64940799  
C 42174 MĚSTSKÝ SOUD  
V PRAZE

TEL +420 567 211 517  
TECHNICAL@BROKIS.CZ  
INFO@BROKIS.CZ  
WWW.BROKIS.CZ

2022\_12  
PAGE 1

# DATASHEET

## RECOMMENDED BULBS



Download



**CM3161**

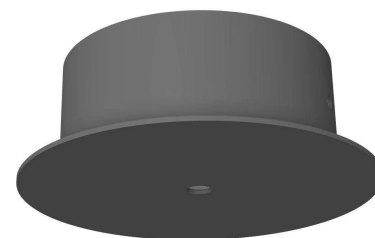
<b>Socket</b>	GU10
<b>Type</b>	LED
<b>Lamp wattage [W]</b>	5 W
<b>Input voltage [V]</b>	100 - 120 VAC
<b>Flux [lm]</b>	336 lm
<b>Light colour [K]</b>	2200 K
<b>CRI</b>	90+
<b>Lifespan [h]</b>	25000h
<b>Dimmable</b>	yes
<b>Dimensions h x w [in]</b>	2.16 x 1.96 "



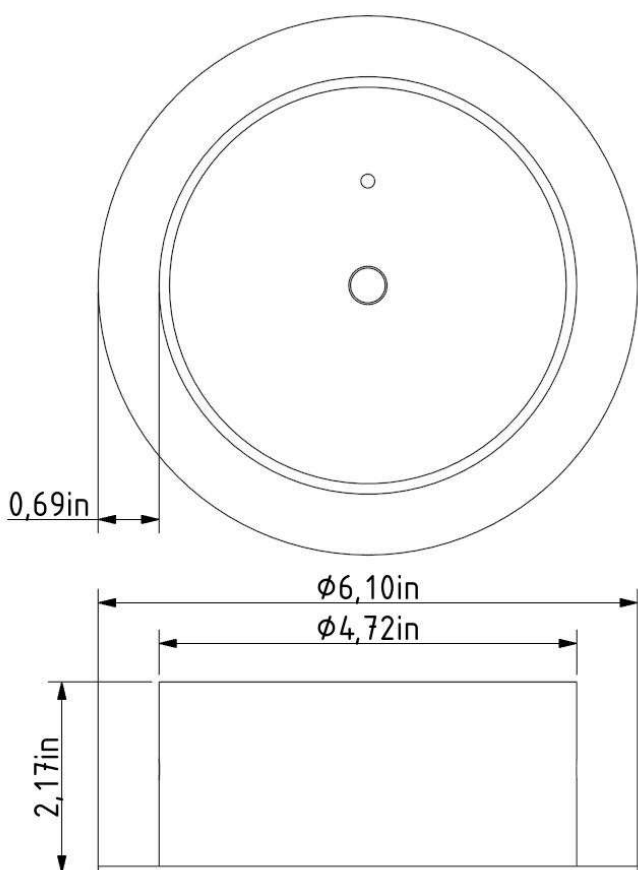


### INNER FIXTURE

Dimensions O x w [in] 6.1 x 2.17  
Weight [lb] 2 lb  
Material metal



### Drawing



### Hole placement

