

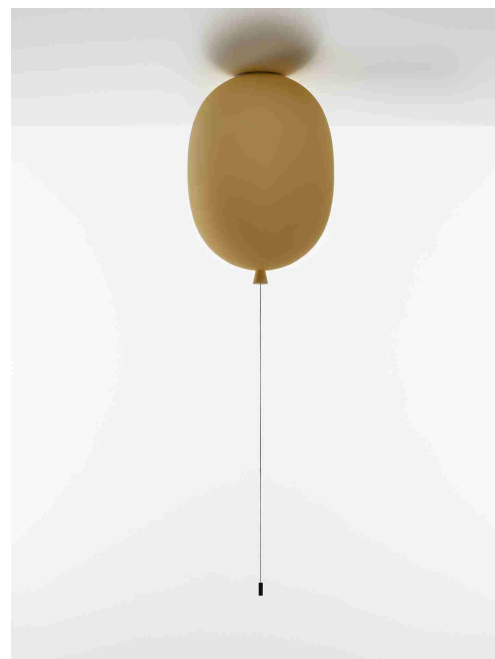


## Description

The Memory collection awakens the imagination and beckons back to a carefree childhood. The wall and ceiling versions in different sizes, the wide range of color options, and a selection of finishes give this lighting experience a large degree of versatility.

## Tech. description

The light consists of a metal ceiling mount with E26 light source socket and a glass shade with bayonet system. The E26 socket has an integrated switch for manual control.

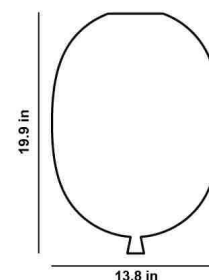


Colours options: [https://brokis.sharepoint.com/:b:/s/brokis\\_sp/EQdsu-tlovdCpLibsam78iwBwq4JxRHMZUIH0frNRmlZvA](https://brokis.sharepoint.com/:b:/s/brokis_sp/EQdsu-tlovdCpLibsam78iwBwq4JxRHMZUIH0frNRmlZvA)

## CONSTRUCTION SPECIFICATION

Weight:	6.6 lb
Construction material:	glass, metal
Cord length [in]:	-
Mounting:	Ceiling
Environment:	Dry

## DIMENSIONS [in]



## ELECTRICAL SPECIFICATION

Input voltage [V]:	120 V
Frequency [Hz]:	60 Hz
Max. power [W]:	7 W
Coverage IP:	20
Socket:	E26
Light source:	-

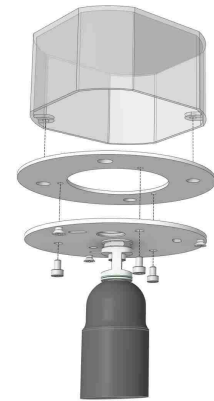
## CERTIFICATIONS



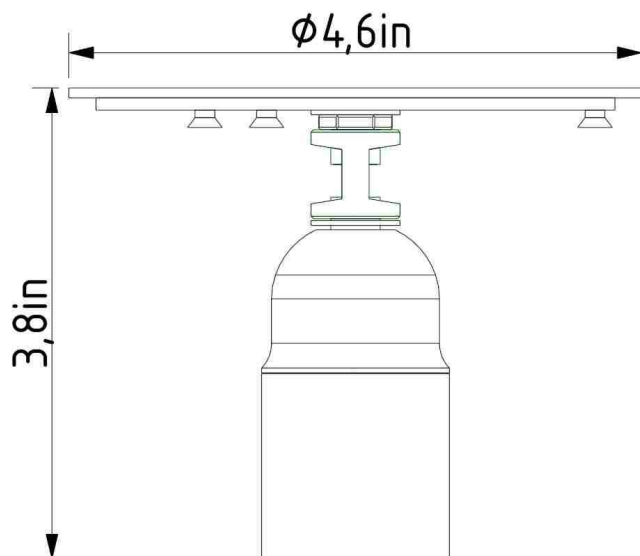


### INNER FIXTURE

Dimensions O x w [in] 4.6 x 3.8  
Weight [lb] 0,44  
Material metal



### Drawing



### Hole placement

