

# DATASHEET

Type: **MEMORY**  
Name: Ceiling light  
ID: US1333  
Designed by:



Download

## Description

The Memory collection awakens the imagination and beckons back to a carefree childhood. The wall and ceiling versions in different sizes, the wide range of color options, and a selection of finishes give this lighting experience a large degree of versatility.

## Tech. description

The light consists of a metal ceiling mount with E26 light source socket and a glass shade with bayonet system. The E26 socket has an integrated switch for manual control.

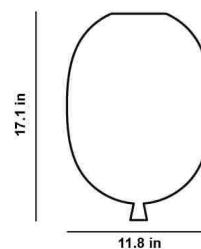


Colours options: [https://brokis.sharepoint.com/:b:/s/brokis\\_sp/EXAyHWSKZ7RGqj7OVFUeI0QBgjWk2bhop9PALLmFA-\\_I8g](https://brokis.sharepoint.com/:b:/s/brokis_sp/EXAyHWSKZ7RGqj7OVFUeI0QBgjWk2bhop9PALLmFA-_I8g)

## CONSTRUCTION SPECIFICATION

**Weight:** 5.5 lb  
**Construction material:** glass, metal  
**Cord length [in]:** -  
**Mounting:** Ceiling  
**Environment:** Dry

## DIMENSIONS [in]



## ELECTRICAL SPECIFICATION

**Input voltage [V]:** 120 V  
**Frequency [Hz]:** 60 Hz  
**Max. power [W]:** 7 W  
**Coverage IP:** 20  
**Socket:** E26  
**Light source:** -

## CERTIFICATIONS



BROKIS S.R.O.  
ŠPANILOVA 1315/25  
163 00 PRAHA 6 - ŘEPY  
CZECH REPUBLIC

ORG ID 64940799  
VAT ID CZ64940799  
C 42174 MĚSTSKÝ SOUD  
V PRAZE

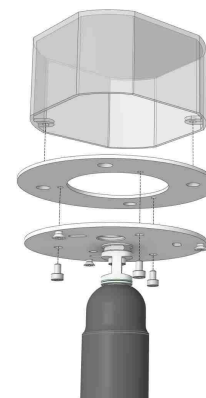
TEL +420 567 211 517  
TECHNICAL@BROKIS.CZ  
INFO@BROKIS.CZ  
WWW.BROKIS.CZ

2023\_11  
PAGE 1

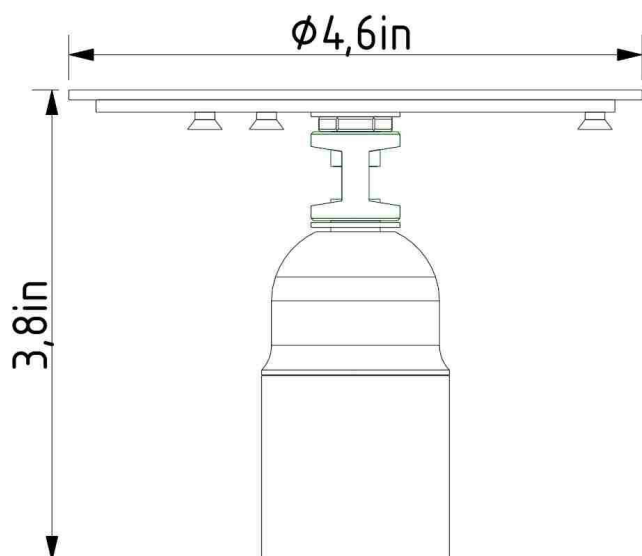


### INNER FIXTURE

Dimensions O x w [in] 4.6 x 3.8  
Weight [lb] 0,44  
Material metal



### Drawing



### Hole placement

