

DATASHEET

Type: **SFERA**
Name: Pendent light
ID: US1286
Designed by:



Download

Description

The Sfera collection, one of the mainstays of the BROKIS portfolio, comprises three shapes and several sizes Sfera lights are designed to meet the needs of projects and the architects and other professionals behind them. The sphere as a universal shape is joined by an oval in two sizes also featuring a dramatically sheared top.

Tech. description

The Sfera light comprises a metal fixture with E26 socket, metal cover, triplex opal glass shade, and power cable. The light is hung from the power cable anchored within a metal ceiling canopy.

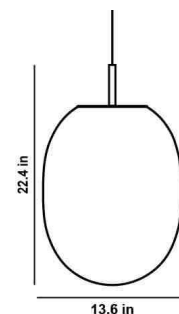


Colours options: https://brokis.sharepoint.com/:b/s/brokis_sp/EUVDvIJJoVplvwyN3bYNVI4BTFk0RuizBato7zWr6zKm4Q

CONSTRUCTION SPECIFICATION

Weight: 11 lb
Construction material: glass, metal
Cord length [in]: 78.74 "
Mounting: Ceiling
Environment: Dry

DIMENSIONS [in]



ELECTRICAL SPECIFICATION

Input voltage [V]: 120 V
Frequency [Hz]: 60 Hz
Max. power [W]: 7 W
Coverage IP: 20
Socket: E26
Light source: -

CERTIFICATIONS



BROKIS®

BROKIS S.R.O.
ŠPANILOVA 1315/25
163 00 PRAHA 6 - ŘEPY
CZECH REPUBLIC

ORG ID 64940799
VAT ID CZ64940799
C 42174 MĚSTSKÝ SOUD
V PRAZE

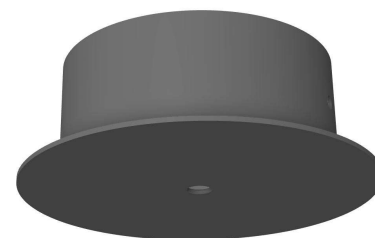
TEL +420 567 211 517
TECHNICAL@BROKIS.CZ
INFO@BROKIS.CZ
WWW.BROKIS.CZ

2022_11
PAGE 1

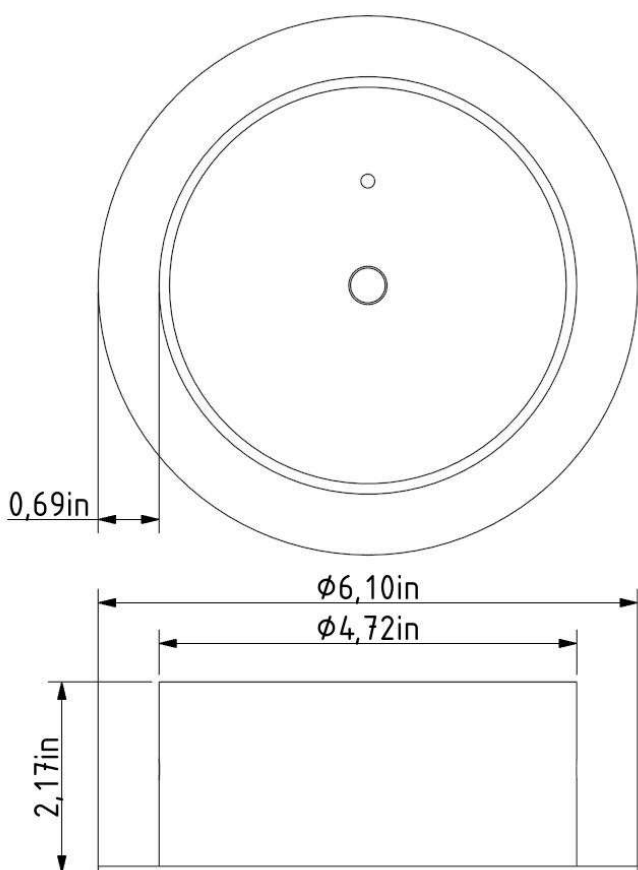


INNER FIXTURE

Dimensions O x w [in] 6.1 x 2.17
Weight [lb] 2 lb
Material metal



Drawing



Hole placement

