

DATASHEET

Type: **KNOT SMALL**
Name: Pendant light
ID: US1036
Designed by: Chiamonte Marin



Download

Description

KNOT is a collection of stately pendent lights that appose two dramatically dissimilar materials. The design combines coarse natural fibre with smooth, transparent handblown glass to arouse a contrast as striking as it is dignified.

Tech. description

The light comprises a glass shade, glass diffuser, metal component with LED module, and linen rope and is suspended from the ceiling canopy with a special bracket. The bottom section of the light is engineered as SELV.

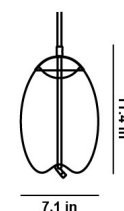


Colours options: https://brokis.sharepoint.com/:b:/s/brokis_sp/EYu0Bd1OWI9NkN2jzyFIN7QBggYy_1BrjqQsPuloYAdKw

CONSTRUCTION SPECIFICATION

Weight: 6.6 lb
Construction material: glass, metal, linen rope
Cord length [in]: Individual, max. 196.85 "
Mounting: Ceiling
Environment: Dry

DIMENSIONS [in]



ELECTRICAL SPECIFICATION

Input voltage [V]: 100 - 240 V
Frequency [Hz]: 50-60 Hz
Max. power [W]: 8 W
Coverage IP: 20
Socket: -
Light source: LED module

CERTIFICATIONS

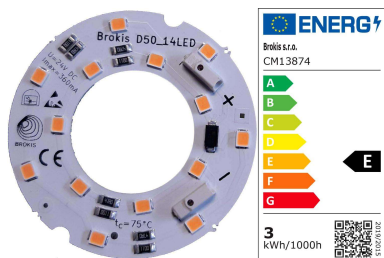


BROKIS S.R.O.
ŠPANILOVA 1315/25
163 00 PRAHA 6 - ŘEPY
CZECH REPUBLIC

ORG ID 64940799
VAT ID CZ64940799
C 42174 MĚSTSKÝ SOUD
V PRAZE

TEL +420 567 211 517
TECHNICAL@BROKIS.CZ
INFO@BROKIS.CZ
WWW.BROKIS.CZ

2022_06
PAGE 1



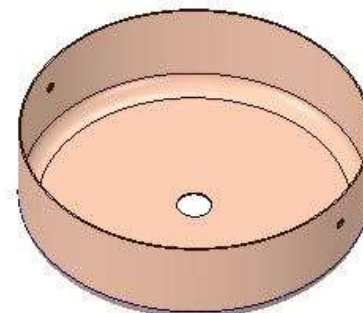
CM13874

Type	LED module
Lamp wattage [W]	3,4 W
Input voltage [V]	24 VDC
Energy class	E
Flux [lm]	425 lm
Light colour [K]	2700 K
CRI	93
Dimmable	yes

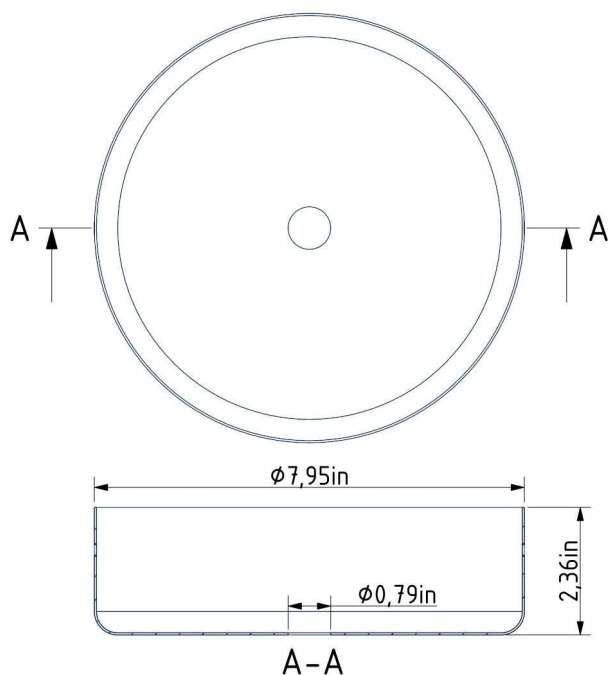


INNER FIXTURE

Dimensions O x w [in] 7.95 x 2.36
Weight [lb] 2.5 lb
Material metal



Drawing



Hole placement

