

# DATASHEET

Type: **KNOT SMALL**  
Name: Pendant light  
ID: US1034  
Designed by: Chiamonte Marin



Download

## Description

KNOT is a collection of stately pendent lights that appose two dramatically dissimilar materials. The design combines coarse natural fibre with smooth, transparent handblown glass to arouse a contrast as striking as it is dignified.

## Tech. description

The light comprises a glass shade, glass diffuser, metal component with LED module, and linen rope and is suspended from the ceiling canopy with a special bracket. The bottom section of the light is engineered as SELV.

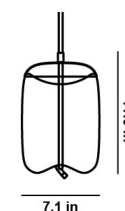


Colours options: [https://brokis.sharepoint.com/:b:/s/brokis\\_sp/ETj6VDE-g11Hr8SHpG1GwFk7qWQRBg3X11uKBqUnZohOA](https://brokis.sharepoint.com/:b:/s/brokis_sp/ETj6VDE-g11Hr8SHpG1GwFk7qWQRBg3X11uKBqUnZohOA)

## CONSTRUCTION SPECIFICATION

**Weight:** 7.72 lb  
**Construction material:** glass, metal, linen rope  
**Cord length [in]:** Individual, max. 196.85 "  
**Mounting:** Ceiling  
**Environment:** Dry

## DIMENSIONS [in]



## ELECTRICAL SPECIFICATION

**Input voltage [V]:** 100 - 240 V  
**Frequency [Hz]:** 50-60 Hz  
**Max. power [W]:** 9 W  
**Coverage IP:** 20  
**Socket:** -  
**Light source:** LED module

## CERTIFICATIONS

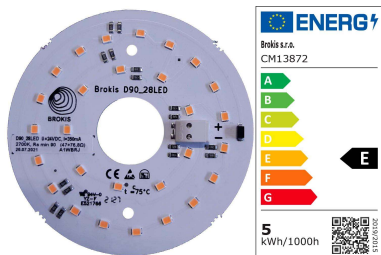


BROKIS S.R.O.  
ŠPANILOVA 1315/25  
163 00 PRAHA 6 - ŘEPY  
CZECH REPUBLIC

ORG ID 64940799  
VAT ID CZ64940799  
C 42174 MĚSTSKÝ SOUD  
V PRAZE

TEL +420 567 211 517  
TECHNICAL@BROKIS.CZ  
INFO@BROKIS.CZ  
WWW.BROKIS.CZ

2022\_06  
PAGE 1



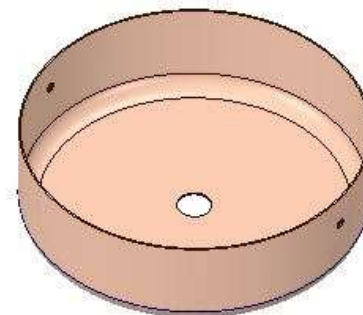
### CM13872

<b>Type</b>	LED module
<b>Lamp wattage [W]</b>	5 W
<b>Input voltage [V]</b>	24 VDC
<b>Energy class</b>	E
<b>Flux [lm]</b>	620 lm
<b>Light colour [K]</b>	2700 K
<b>CRI</b>	93
<b>Dimmable</b>	yes

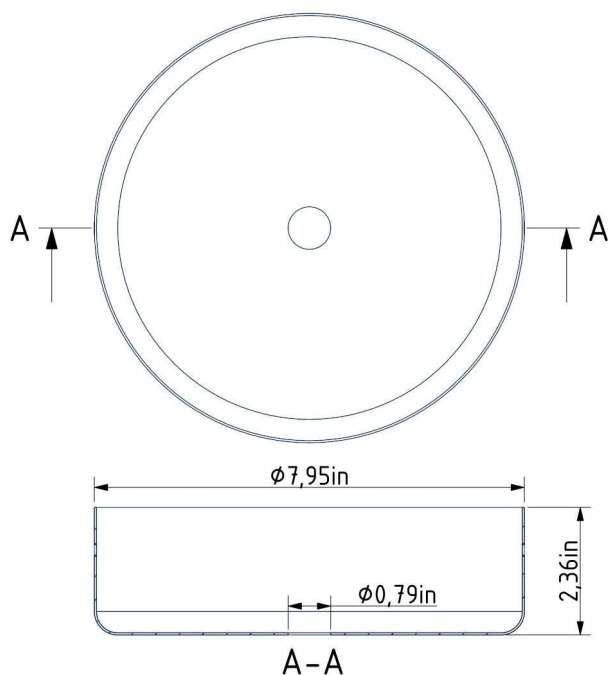


### INNER FIXTURE

Dimensions O x w [in] 7.95 x 2.36  
Weight [lb] 2.5 lb  
Material metal



### Drawing



### Hole placement

