

DATASHEET

Type: **CONVEX**
Name: Pendant light
ID: US1274
Designed by:



Download

Description

The Convex collection experiments with BROKISGLASS and makes use of its specific properties and processing methods. Designed and manufactured in the form of a convex lens, it pushes the boundaries of function, visual representation, and shaping of this unique and vibrant material. Together with a minimalist, precisely crafted body, it creates an unobtrusive yet unconventional luminaire. The utilitarian design, which highlights the beauty and optical properties of the glass, is well suited to a broad range of applications in both residential and commercial spaces. The Convex collection comprises a pendant and a wall light, each available in two sizes, whereas the wall variant can also be mounted on the ceiling. Choose from clear triplex opal, or a combination of clear triplex opal and grey triplex opal, where the darker fragments gradually transition to lighter towards the centre of the glass.



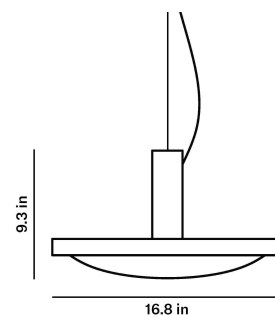
Tech. description

The light comprises a milled dural body with integrated LED module and balancing system, a wire rope, a power cable, and a shade made of Brokisglass, which is attached to the body of the light via bayonet system. The light is hung on a steel cable extending from a metal ceiling canopy.

CONSTRUCTION SPECIFICATION

Weight: 20.9 lb
Construction material: glass, metal
Cord length: 86.6 in
Mounting: Ceiling
Environment: Dry

DIMENSIONS [in]



ELECTRICAL SPECIFICATION

Input voltage [V]: 100 - 240 V
Frequency [Hz]: 50-60 Hz
Max. power [W]: 88 W
Coverage IP: 20
Socket: -
Light source: LED module
Energy class: E

CERTIFICATIONS



BROKIS®

BROKIS S.R.O.
ŠPANIĚLOVA 1315/25
163 00 PRAHA 6 - ŘEPY
CZECH REPUBLIC

ORG ID 64940799
VAT ID CZ64940799
C 42174 MĚSTSKÝ SOUD
V PRAZE

TEL +420 567 211 517
TECHNICAL@BROKIS.CZ
INFO@BROKIS.CZ
WWW.BROKIS.CZ

2024_03
PAGE 1



CM17867 LED

**MODUL_D359_368LED_RA90/ 1CH_
80W_CONVEX CV 2700K DNA**

Type	LED module
Lamp wattage [W]	75 W
Input voltage [V]	24 VDC
Energy class	E
Flux [lm]	9983 lm
Light colour [K]	2700 K
CRI	90
Dimmable	yes

CM17868 LED

**MODUL_D359_368LED_RA90/ 2CH_
80W_CONVEX CV 2700K DNA**

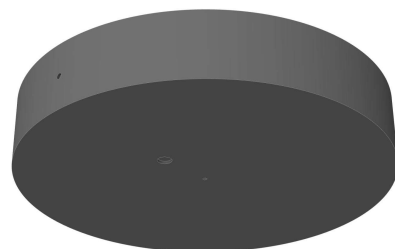
Type	LED module
Lamp wattage [W]	75 W
Input voltage [V]	24 VDC
Energy class	E
Flux [lm]	7430-11987 lm
Light colour [K]	1800-6500 K
CRI	90
Dimmable	yes



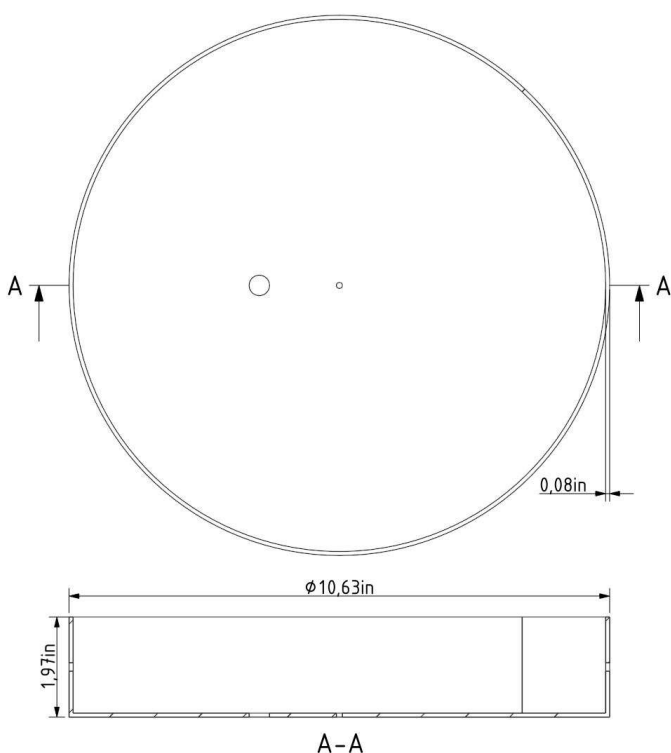


INNER FIXTURE

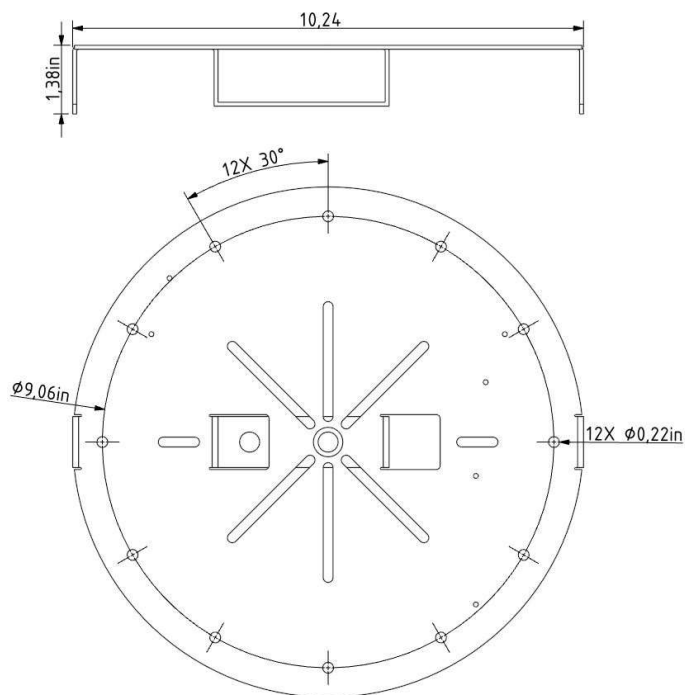
Dimensions O x w [in] 10.63 x 1.97
Weight [lb] 5.5 lb
Material metal



Drawing



Hole placement



DATASHEET

Type: **CONVEX**
Name: Pendant light
ID: US1351
Designed by:



Download

Description

The Convex collection experiments with BROKISGLASS and makes use of its specific properties and processing methods. Designed and manufactured in the form of a convex lens, it pushes the boundaries of function, visual representation, and shaping of this unique and vibrant material. Together with a minimalist, precisely crafted body, it creates an unobtrusive yet unconventional luminaire. The utilitarian design, which highlights the beauty and optical properties of the glass, is well suited to a broad range of applications in both residential and commercial spaces. The Convex collection comprises a pendant and a wall light, each available in two sizes, whereas the wall variant can also be mounted on the ceiling. Choose from clear triplex opal, or a combination of clear triplex opal and grey triplex opal, where the darker fragments gradually transition to lighter towards the centre of the glass.



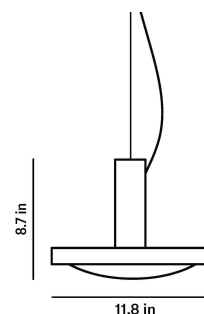
Tech. description

The light comprises a milled dural body with integrated LED module and balancing system, a wire rope, a power cable, and a shade made of Brokisglass, which is attached to the body of the light via bayonet system. The light is hung on a steel cable extending from a metal ceiling canopy.

CONSTRUCTION SPECIFICATION

Weight: 13.2 lb
Construction material: glass, metal
Cord length: 86.6 in
Mounting: Ceiling
Environment: Dry

DIMENSIONS [in]



ELECTRICAL SPECIFICATION

Input voltage [V]: 100 - 240 V
Frequency [Hz]: 50-60 Hz
Max. power [W]: 47 W
Coverage IP: 20
Socket: -
Light source: LED module
Energy class: E

CERTIFICATIONS



BROKIS®

BROKIS S.R.O.
ŠPANILOVA 1315/25
163 00 PRAHA 6 - ŘEPY
CZECH REPUBLIC

ORG ID 64940799
VAT ID CZ64940799
C 42174 MĚSTSKÝ SOUD
V PRAZE

TEL +420 567 211 517
TECHNICAL@BROKIS.CZ
INFO@BROKIS.CZ
WWW.BROKIS.CZ

2024_03
PAGE 1



CM17913 CONVEX small_LED modul 1CH_24V_D250mm_40W

Type	LED modul
Příkon [W]	40 W
Vstupní napětí [V]	24 VDC
Energetická třída	E
Světelný tok [lm]	4630 lm
Barevná teplota [K]	2700 K
CRI	90
Stmívatelnost	ano

CM17774 CONVEX small_LED modul TW_24V_D250mm_40W

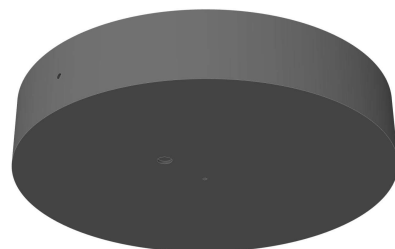
Type	LED module
Lamp wattage [W]	40 W
Input voltage [V]	24 VDC
Energy class	E
Flux [lm]	3624-5843 lm
Light colour [K]	1800-6500 K
CRI	90
Dimmable	yes



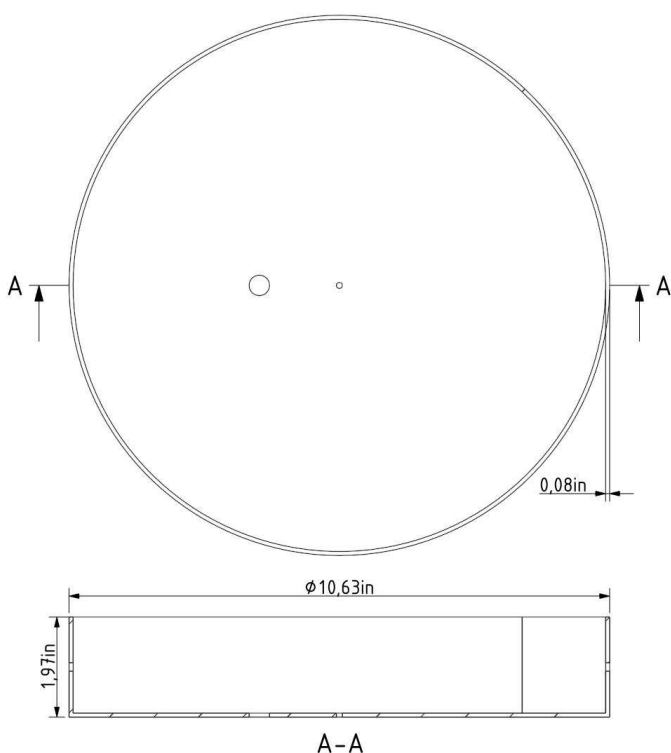


INNER FIXTURE

Dimensions O x w [in] 10.63 x 1.97
Weight [lb] 5.5 lb
Material metal



Drawing



Hole placement

