

## COFFEE TABLE GARTEN TOP 5 MARBLE

---



YEAR: 2016 DESIGNER: JADER ALMEIDA

Garten coffee tables make an aesthetic connection with Jardim side tables. The top geometries are explored in different dimensions. The accentuation of the edges transfers all the elegance of the side tables to larger plans.

### DIMENSIONS

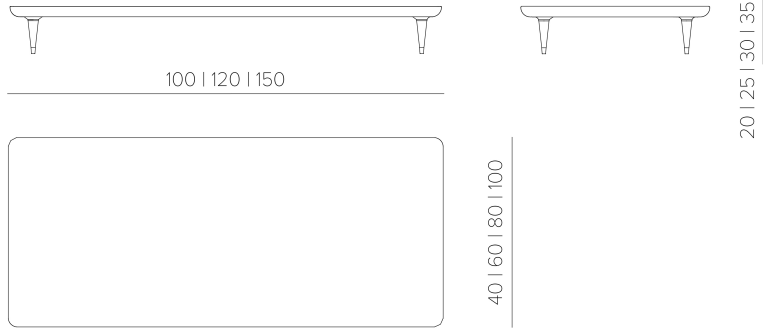
100 | 120 | 150 x 40 | 60 | 80 | 100 x 20 | 25 | 30 | 35 | 40 | 45 cm  
39 <sup>3</sup>/<sub>8</sub> | 47 <sup>1</sup>/<sub>4</sub> | 59 <sup>1</sup>/<sub>16</sub> x 15 <sup>3</sup>/<sub>4</sub> | 23 <sup>5</sup>/<sub>8</sub> | 31 <sup>1</sup>/<sub>2</sub> | 39 <sup>3</sup>/<sub>8</sub> x 7 <sup>7</sup>/<sub>8</sub> | 9 <sup>27</sup>/<sub>32</sub> | 11 <sup>13</sup>/<sub>16</sub> | 13 <sup>25</sup>/<sub>32</sub> | 15 <sup>3</sup>/<sub>4</sub> | 17 <sup>23</sup>/<sub>32</sub> in

### MATERIALS

Top with marble center and solid tauari, walnut or oak wood frame Solid wood feet with brass or onyx rings

Illustrative picture.

This product is subject to availability by region.



SOLLOS.

Brasil 55 49 36410014

atendimento@sollos.ind.br