

R | O | D | A

LEAF 001 Side table

design GORDON GUILLAUMIER



DESCRIPTION

Side table for outdoor use.

STRUCTURE

AISI 304 stainless steel frame treated with electrostatic powder painting with polyester base that gives more protection from scratches and also the final coloring to the product.

TOP

GRES: A hardwearing material obtained from compacting 99% pure materials such as minerals and clay at a high temperature (around 1250°) without the addition of synthetic resins or other chemical substances. The non-porous surface has a liquid absorption capacity of less than 0.5% so the material will be frost-proof, resistant to any type of stain and extremely resistant to surface abrasion.

The compactness of the material and the quality of the minerals used in its production make it very resistant to impact and bending (2mm tolerance per linear metre).

The material is Class A1 fire retardant and does not contain chlorine, asbestos or any other environmentally harmful substance.

GLAZED GRES: Obtained by subjecting gres to a special manufacturing process. After heating the material, the stoneware tile is dipped in tanks containing crystalline enamel in liquid form before being fired for the second time to vitrify the enamel. The material is Class A1 fire retardant and does not contain chlorine, asbestos or any other environmentally harmful substance.

WEIGHT

11 Kg

STORAGE COVER

Available

STRUCTURE



SMOKE

MILK

TOP/GRES



FOG

ASH

NUT

IVORY

TOP/GLAZED GRES



ICE

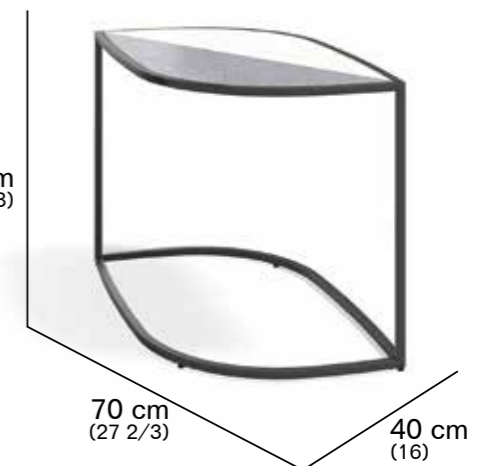
WATER

STORM

JADE

SAPPHIRE

42 cm
(16 2/3)



70 cm
(27 2/3)

40 cm
(16)

RODA

LEAF Top combinations

STRUCTURE



TOP COMBINATIONS GRES & GLAZED GRES

