



An armchair with a slender yet enveloping form. Capò is available in several variations that make it suitable for various settings. Leather, faux leather, felt and Alcantara can be used to upholster the entire armchair or be used in different combinations for the front and back.

Materials used_

Base:

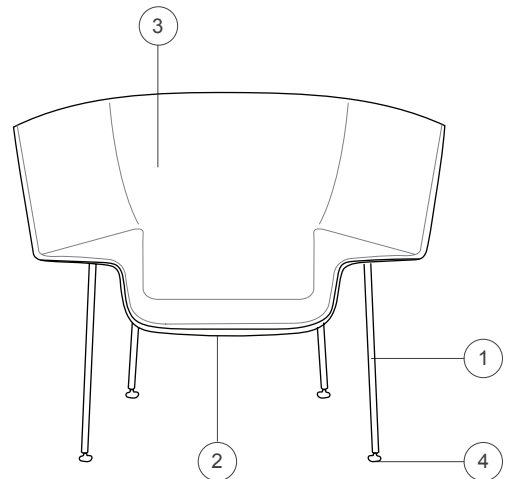
1. Tubes metal frame matt laquered with epoxy powders, available in different colours: grey, blue, terracotta

Structure:

2. Shell in co-injection of resin and polyurethane foam
3. Cover fabric or leather in collection

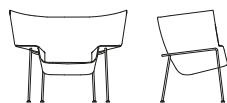
Feet:

4. Jointed feet in natural nylon



Dimensions_

CP_1



119
46 3/4"

72
28 1/4"

41
16 1/4"

93
36 1/2"

CP_2



46
18"

65
25 1/2"

44
17 1/4"

