

ASTON CHANDELIER



YEAR: 2014 DESIGNER: JADER ALMEIDA

Lightness was Jader Almeida's priority for the design of the Asti candlestick. The brass or copper structure has a base and handle that are delicately joined as in pieces of jewelry. An elegant, decorative and functional accessory that denotes nostalgia and can be used alone or together.

DIMENSIONS

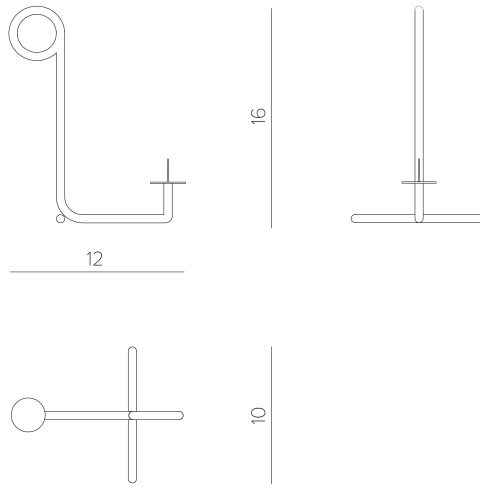
10 x 12 x 16 cm
3 ¹⁵/₁₆ x 4 ²³/₃₂ x 6 ¹⁹/₆₄ in

MATERIALS

Structure in brass or copper.

Illustrative picture.

This product is subject to availability by region.



SOLLOS.

Brasil 55 49 36410014

atendimento@sollos.ind.br