

## OLD TRAY

---



YEAR: 2014    DESIGNER: JADER ALMEIDA

A tray with a delicate finish as in jewellery pieces. The timeless design, characteristic of the designer Jader Almeida, inspires beyond the functionality of the piece. With a brass structure, Ald exudes elegance and sophistication.

### DIMENSIONS

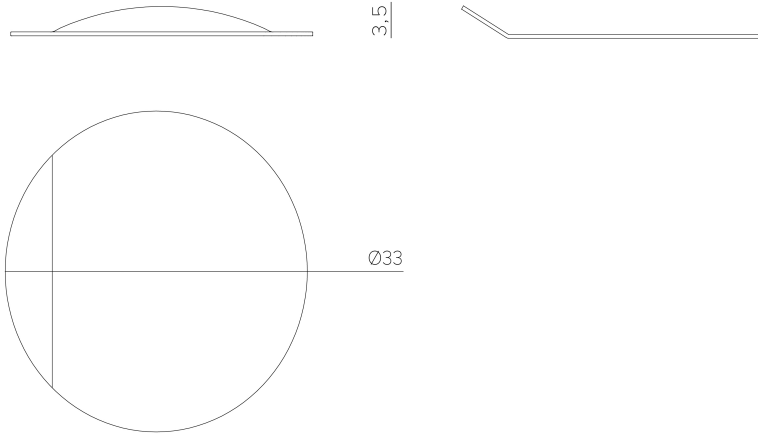
Ø 33 x 3.3 cm  
Ø 12 <sup>63</sup>/<sub>64</sub> x 1 <sup>19</sup>/<sub>64</sub> in

### MATERIALS

Brass structure.

Illustrative picture.

This product is subject to availability by region.



SOLLOS.

Brasil 55 49 36410014      atendimento@sollos.ind.br