

Air Up Shelf

2014

Floor standing modular system with plinth of superimposed elements in mink colour leather effect laminated wood. The units (fronts/top) are covered by 6mm tempered painted glass as per samples, in the bright or satin version. The inside is made of leather effect laminated wood in mink colour. Bright anodised aluminium metal parts. Base and spacers in mink colour leather effect laminated wood. For room divider or double sided compositions a 6mm tempered painted glass back in the same finish of the unit is available. 12mm tempered extralight glass side, painted in the part corresponding to the unit's side. 12mm tempered extralight glass top. Modules can be placed side by side (max length 360cm) or superimposed (max 2 modules).

Cm (L x W x H)

Spalla terminale / End side

51 x 109

51 x 129

Spalla intermedia / Middle side

51 x 109

51 x 129

Top

90 x 48.3 x 0.6

120 x 48.3 x 0.6

Schienale / Backrest

90 x 44.5

120 x 44.5

90 x 34.5

120 x 34.5

Inches (L x W x H)

Spalla terminale / End side

20 $\frac{1}{4}$ x 43

20 $\frac{1}{4}$ x 51

Spalla intermedia / Middle side

20 $\frac{1}{4}$ x 43

20 $\frac{1}{4}$ x 51

Top

35 $\frac{1}{2}$ x 19 $\frac{1}{4}$ x 1/4

47 $\frac{1}{4}$ x 19 $\frac{1}{4}$ x 1/4

Schienale / Backrest

35 $\frac{1}{2}$ x 17 $\frac{3}{4}$

47 $\frac{1}{4}$ x 17 $\frac{3}{4}$

35 $\frac{1}{2}$ x 13 $\frac{3}{4}$

47 $\frac{1}{4}$ x 13 $\frac{3}{4}$

Piano / Top

93 x 51 x 1.2

123 x 51 x 1.2

184 x 51 x 1.2

214 x 51 x 1.2

244 x 51 x 1.2

275 x 51 x 1.2

305 x 51 x 1.2

335 x 51 x 1.2

365 x 51 x 1.2

367 x 51 x 1.2

Piano / Top

$36\frac{3}{4} \times 20\frac{1}{4} \times 1/2$

$48\frac{1}{2} \times 20\frac{1}{4} \times 1/2$

$72\frac{1}{2} \times 20\frac{1}{4} \times 1/2$

$84\frac{1}{2} \times 20\frac{1}{4} \times 1/2$

$96\frac{1}{4} \times 20\frac{1}{4} \times 1/2$

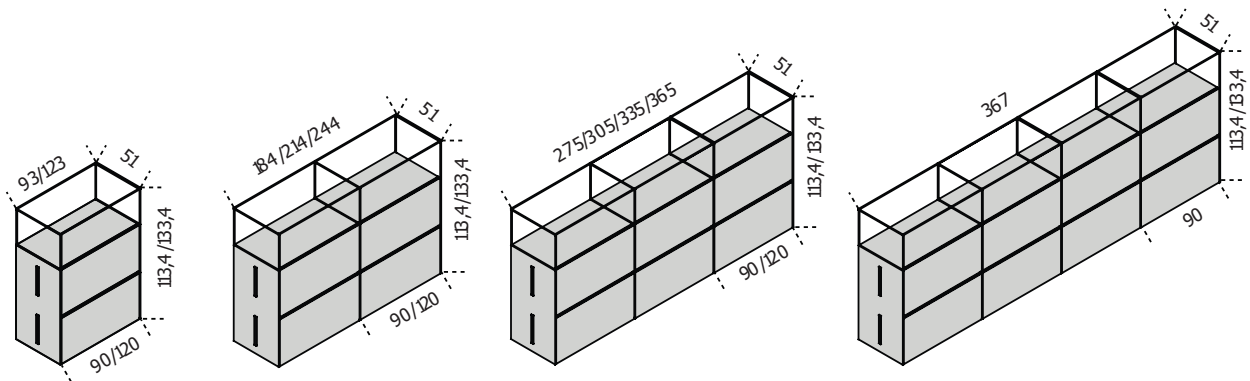
$108\frac{1}{2} \times 20\frac{1}{4} \times 1/2$

$120\frac{1}{4} \times 20\frac{1}{4} \times 1/2$

$132 \times 20\frac{1}{4} \times 1/2$

$143\frac{3}{4} \times 20\frac{1}{4} \times 1/2$

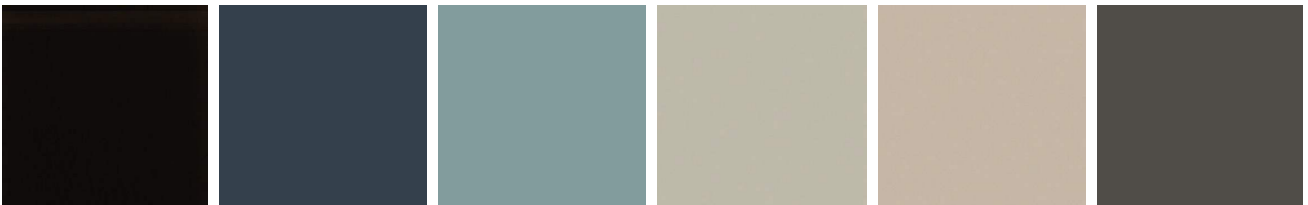
$144\frac{1}{2} \times 20\frac{1}{4} \times 1/2$





Finishings

Glass



Bright black

Bright blue-grey

Bright cadet blue

Bright cement

Bright champagne

Bright dark grey



Bright green-grey

Bright liquorice

Bright mink

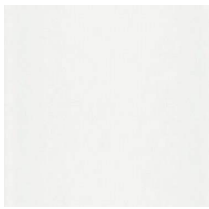
Bright olive

Bright rose powder

Bright taupe



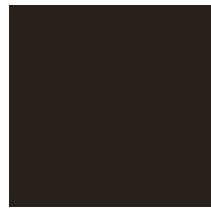
Bright white



Extralight



Leather effect
laminated wood



Satin black



Satin blue-grey



Satin cadet blue



Satin cement



Satin
champagne



Satin dark grey



Satin green-grey



Satin liquorice



Satin mink



Satin olive



Satin rose
powder



Satin taupe



Satin white

Metal



Anodised
aluminium