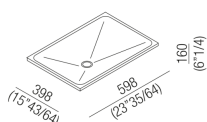




Washbasins Built-in Raso
ACER0810Z

Benedini Associati, 2003

built-in washbasin



Finishes



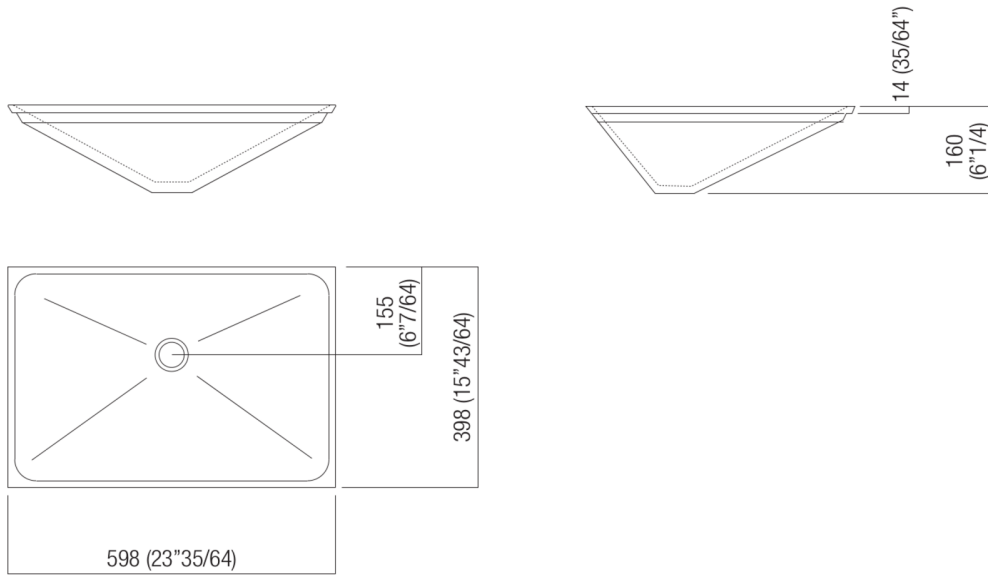
White

Built-in washbasin in white Exmar without tap hole and overflow. Designed for waste .MET0563 or, with concealed waste trap .PLA0456, waste .MET0418L or .MET0509L. Installing the basin on the Flat XL top with 50 cm depth combined with the Plus washbasin supporting storage unit is not possible. Insertion on the Flat XL top in marble is not possible. Given the chromatic diversity is not recommended insertion on the Cristalplant® top. Materials used: Exmar.

Width:	59.8 cm	23" 35/64 inches
Height:	16.0 cm	6" 1/4 inches
Depth:	39.8 cm	15" 34/64 inches
Weight:	6.0 kg	13 lbs
Packaging measurements:	43 x 63 x 20 cm	16"7/8 x 24"6/8 x 7"7/8 inches
Weight with packaging:	9.0 kg	20 lbs

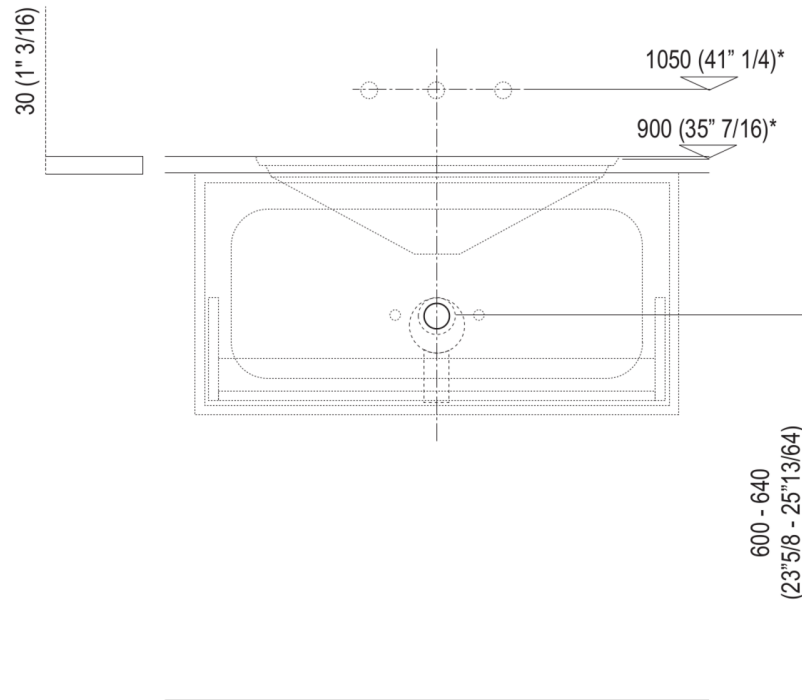


Main dimensions





Installation notes: countertop to be rested on cabinet with thickness cm 3 (1"3/16)

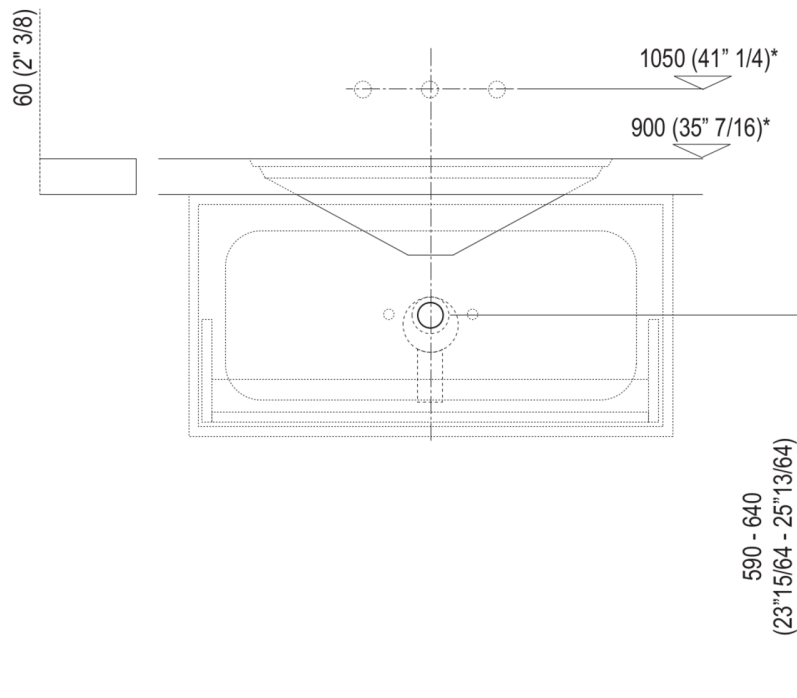


Scarico per sifone a bottiglia e ad incasso
Drain for bottle trap and concealed waste trap

*h.consigliata / advised h.



Installation notes: countertop to be rested on cabinet with thickness cm 6 (2"3/8)

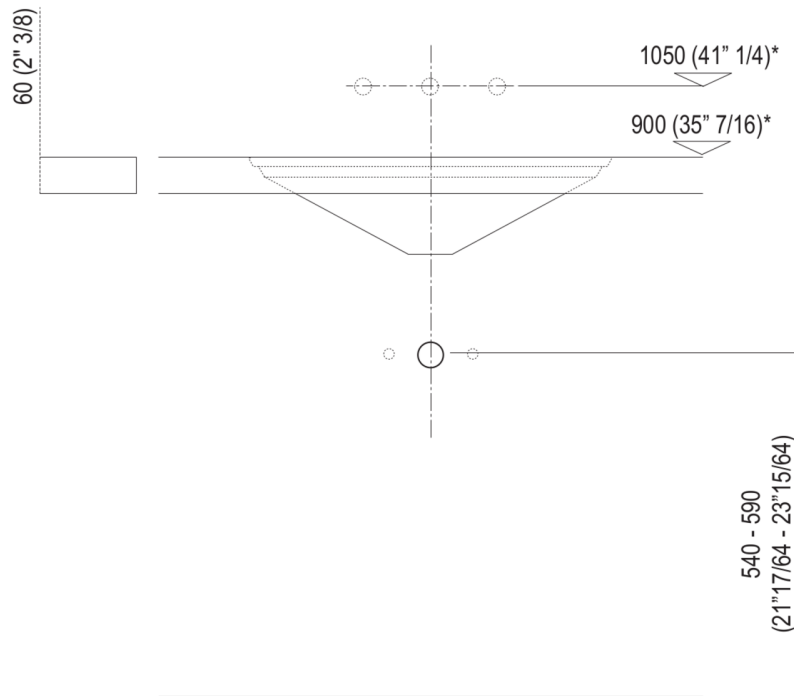


Scarico per sifone a bottiglia e ad incasso
Drain for bottle trap and concealed waste trap

*h.consigliata / advised h.



Installation notes: countertop with concealed wall fixings/freestanding with thickness cm 6 (2"3/8)

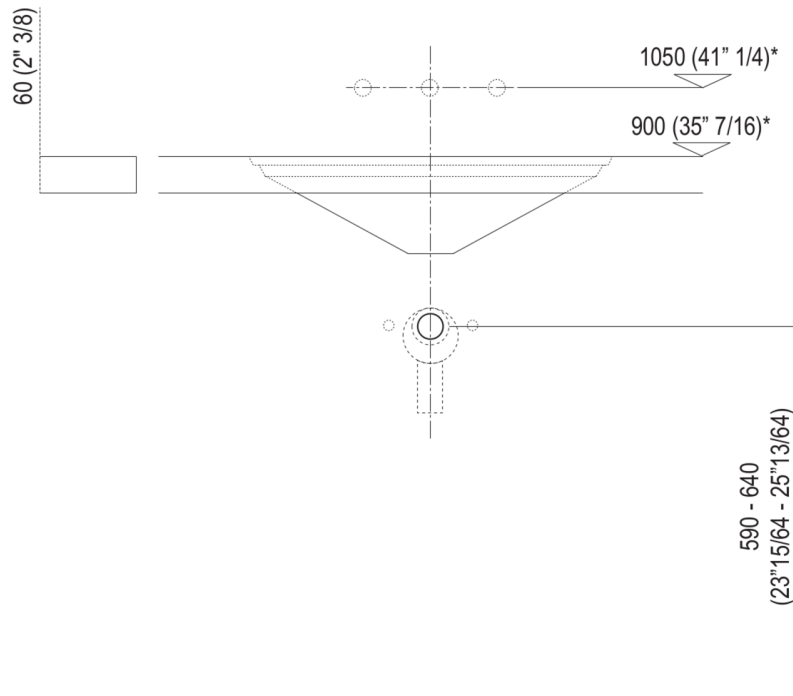


Scarico per sifone a bottiglia
Drain for bottle trap

*h.consigliata / advised h.



Installation notes: countertop with concealed wall fixings/freestanding with thickness cm 6 (2"3/8)

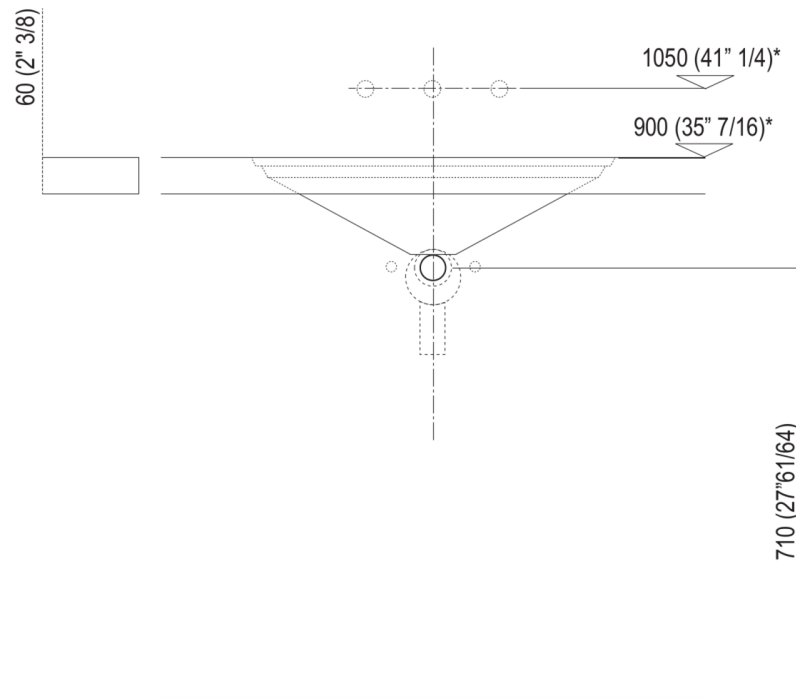


Scarico per sifone ad incasso
Drain for concealed waste trap

*h.consigliata / advised h.



Installation notes: countertop with concealed wall fixings/freestanding with thickness cm 6 (2"3/8)

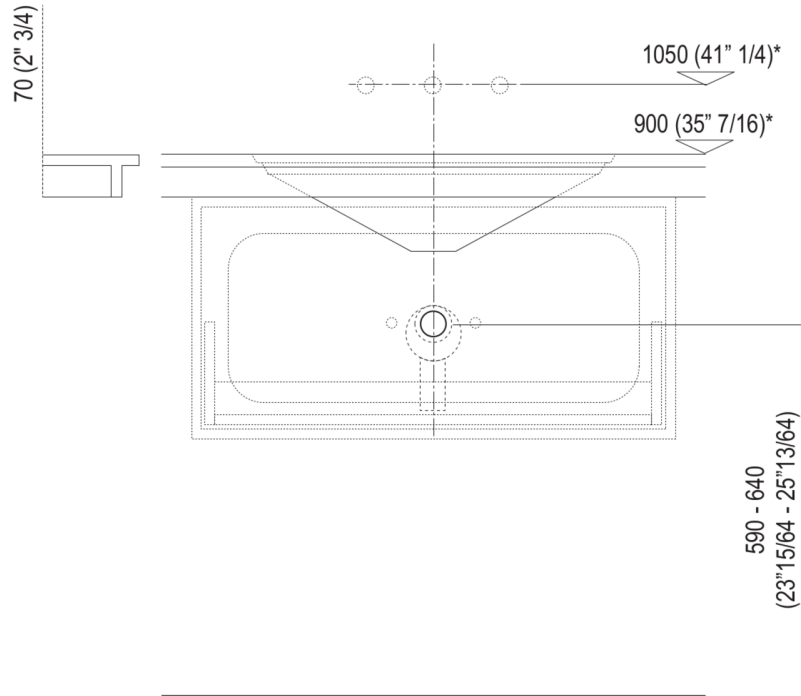


Scarico per sifone ad incasso e piletta con canotto fisso
Drain for concealed waste trap with not adjustable pipe

*h.consigliata / advised h.



Installation notes: countertop Evoluzione



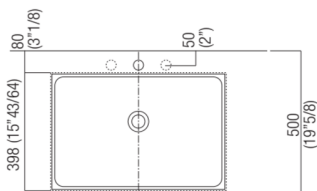
Scarico per sifone a bottiglia e ad incasso
 Drain for bottle trap and concealed waste trap

*h.consigliata / advised h.

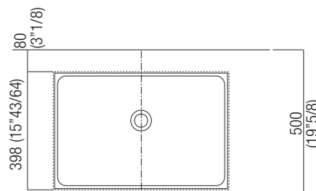
Holes for built-in washbasins and top mounted taps for to

PIANO cm 50 / COUNTERTOP cm 50

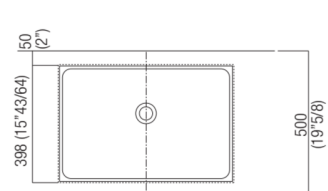
Posizione standard per rubinetto su piano
 Standard position for top mounted tap



Posizione standard per rubinetto a parete
 Standard position for wall mounted tap



Posizione speciale per rubinetto Sen a parete e Square con bocca curva
 Special position for wall mounted tap Sen and Square white curved spout





Tap position, recommended height

POSIZIONE RUBINETTERIA / TAP POSITION

Altezza consigliata / Recommended height

