



Washbasins Independent In-Out
ACER1062MZ

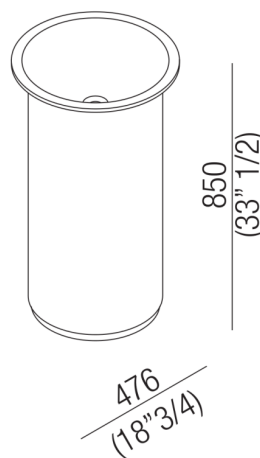
Benedini Associati, 2010

Column washbasin, without tap hole,
 designed for wall drainage

Finishes



White

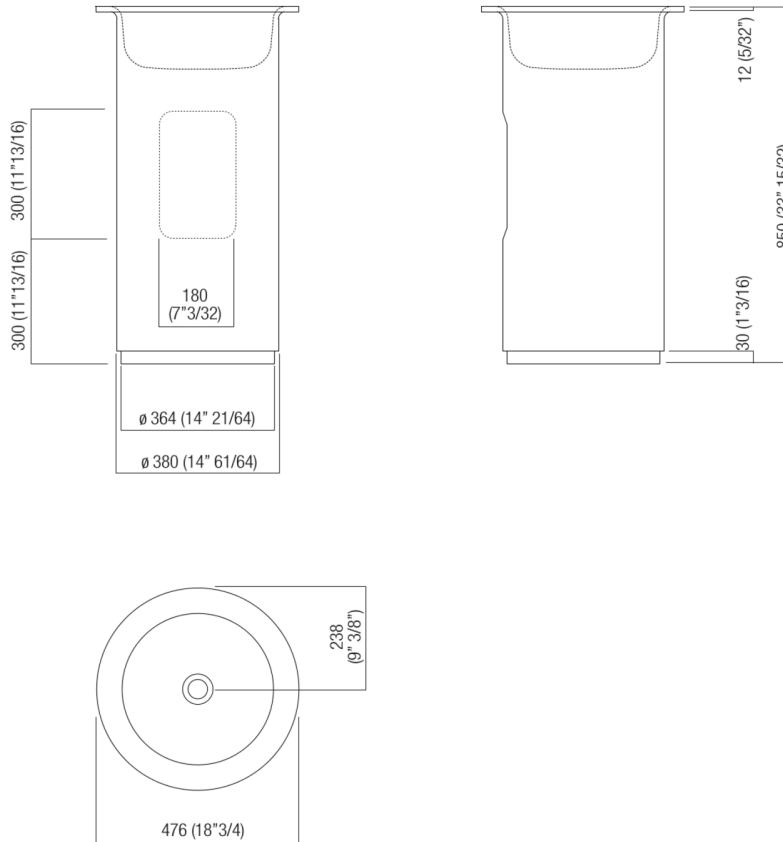


Circular washbasin in white Exmar with or without tap hole, without overflow. Available in a wall mounted model, with stainless steel floor-standing frame or with column. Assembly kit included. Wall mounted and frame models use waste .MET0563. In case of floor drainage, it is mandatory to insert waste trap .MET0519
 Materials used: Exmar.

Height:	85.0 cm	33"1/2 inches
Diameter:	47.6 cm	18"3/4 inches
Weight:	40.0 kg	88 lbs
Packaging measurements:	58 x 58 x 95 cm	22"7/8 x 22"7/8 x 37"3/8 inches
Weight with packaging:	43.0 kg	95 lbs

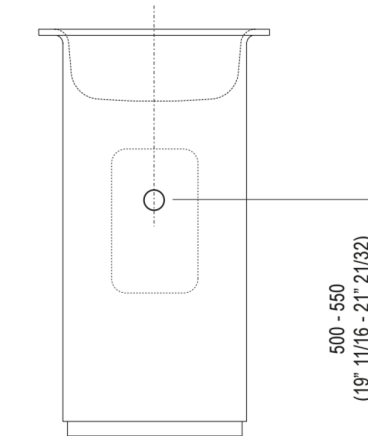


Main dimensions

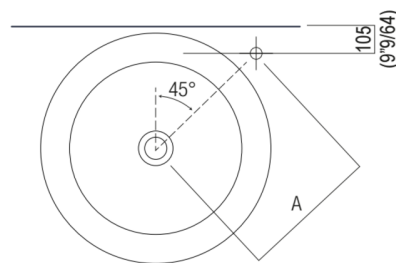




Installation notes



Scarico per sifone a bottiglia
 Drain for bottle trap

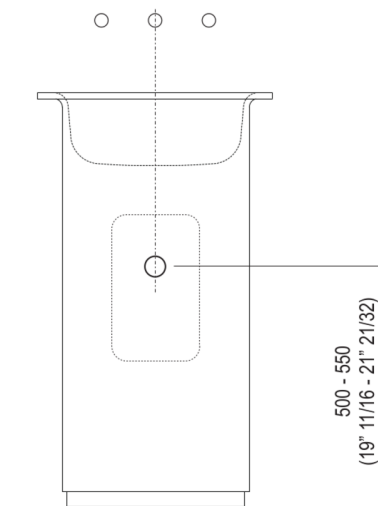


		A
FEZ2	AFEZ004	312 (12\"/>

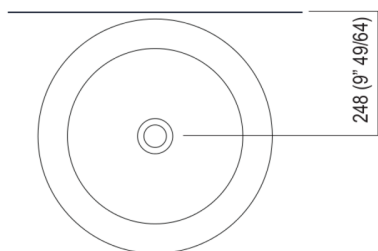
*ad esaurimento / while stocks last



Installation notes



Scarico per sifone a bottiglia
Drain for bottle trap



Tap position, recommended height

POSIZIONE RUBINETTERIA / TAP POSITION

Altezza consigliata / Recommended height

