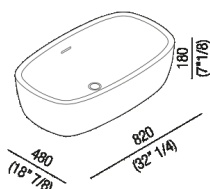




Washbasin
 ACER0800Z

Benedini Associati, 2003

Countertop mounted washbasin made from
 Cristalplant® biobased.



Shaped over countertop washbasin made from white Cristalplant® biobased, without tap hole, with overflow hole. Designed for waste .MET0346P or .MET0562.

Height:	18 cm	7" 1/8 inches
---------	-------	---------------

Width:	82 cm	32" 1/4 inches
--------	-------	----------------

Weight:	28 kg	62 lbs
---------	-------	--------

Depth:	48 cm	18" 7/8 inches
--------	-------	----------------

Capacity:	21 l	6 gal
-----------	------	-------

Packaging:	51 x 85 x 23 cm	20" 1/8 x 33" 4/8 x 9" inches
------------	-----------------	-------------------------------

Total weight:	32 kg	70 lbs
---------------	-------	--------

Finishes



White

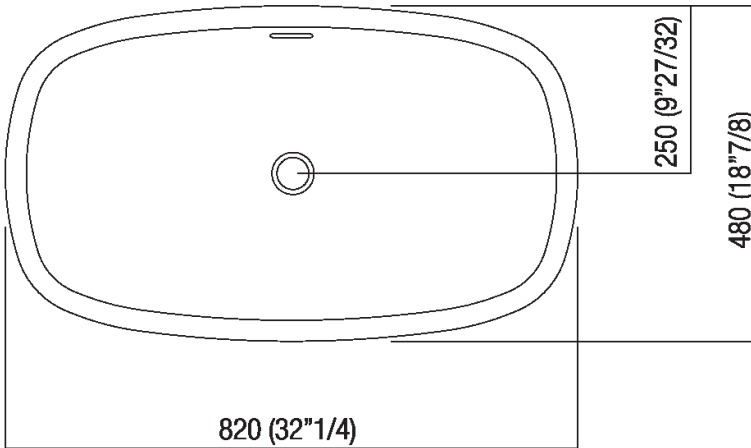
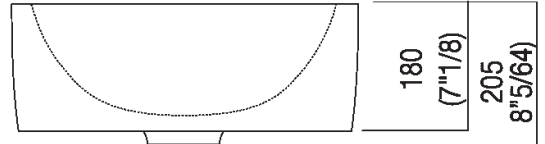
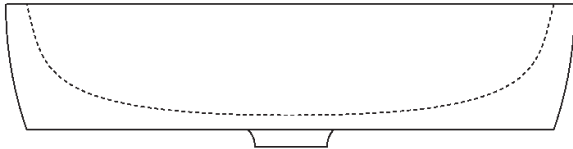
Materials



Cristalplant® biobased

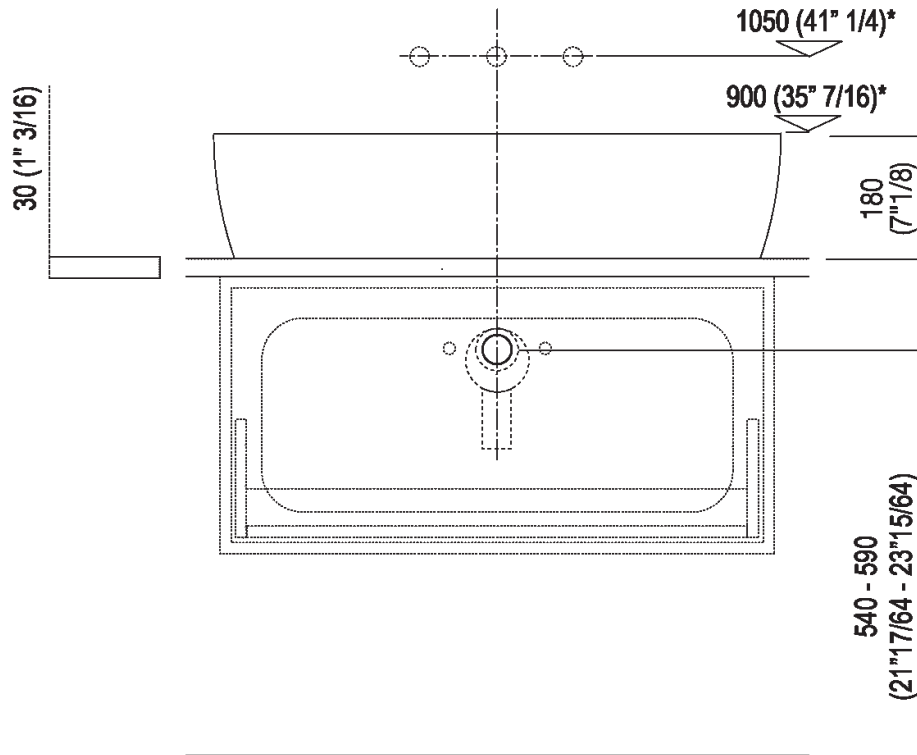


Main dimensions





Installation notes: countertop to be rested on cabinet with thickness cm 3 (1"3/16)



Scarico per sifone a bottiglia e ad incasso
Drain for bottle trap and concealed waste trap

*h.consigliata / advised h.



Holes for countertop washbasins and top mounted taps for top

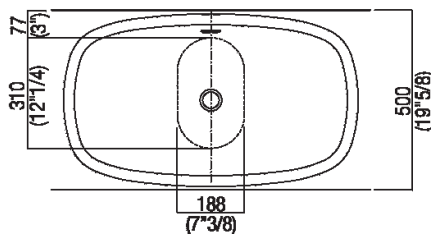
PIANO cm 50 / COUNTERTOP cm 50

Posizione standard per rubinetto su piano
 Standard position for top mounted tap

Posizione standard per rubinetto a parete
 Standard position for wall mounted tap

Posizione speciale per rubinetto Sen a parete e Square con bocca curva
 Special position for wall mounted tap Sen and Square white curved spout

RUBINETTO SU PIANO NON POSSIBILE
 TOP MOUNTED TAP NOT POSSIBLE



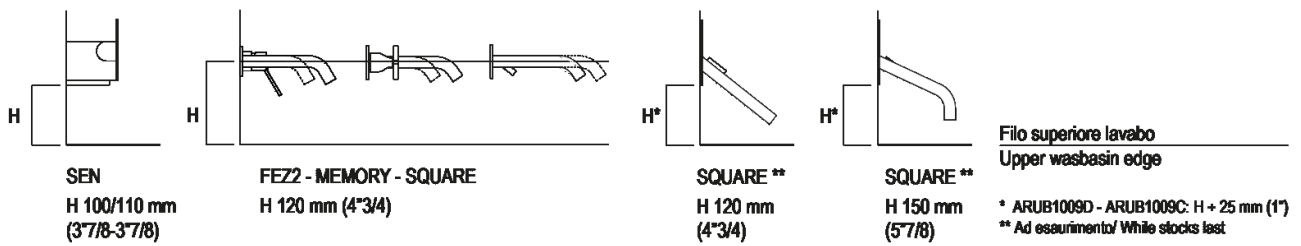
NON NECESSARIA
 NOT NECESSARY



Tap position, recommended height

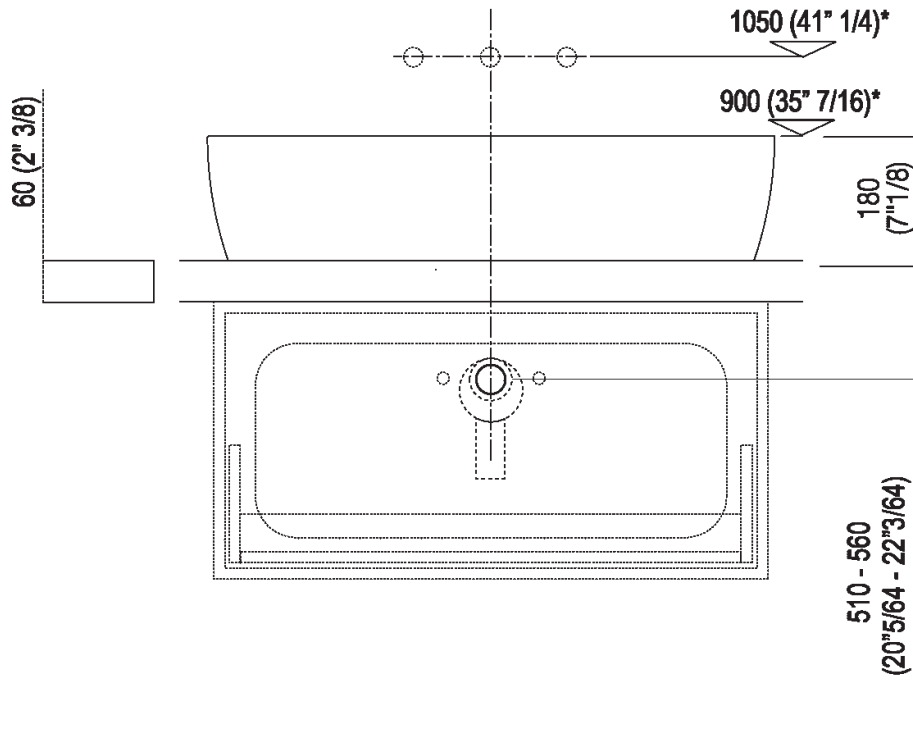
POSIZIONE RUBINETTERIA / TAP POSITION

Altezza consigliata / Recommended height





Installation notes: countertop to be rested on cabinet with thickness cm 6 (2"3/8)

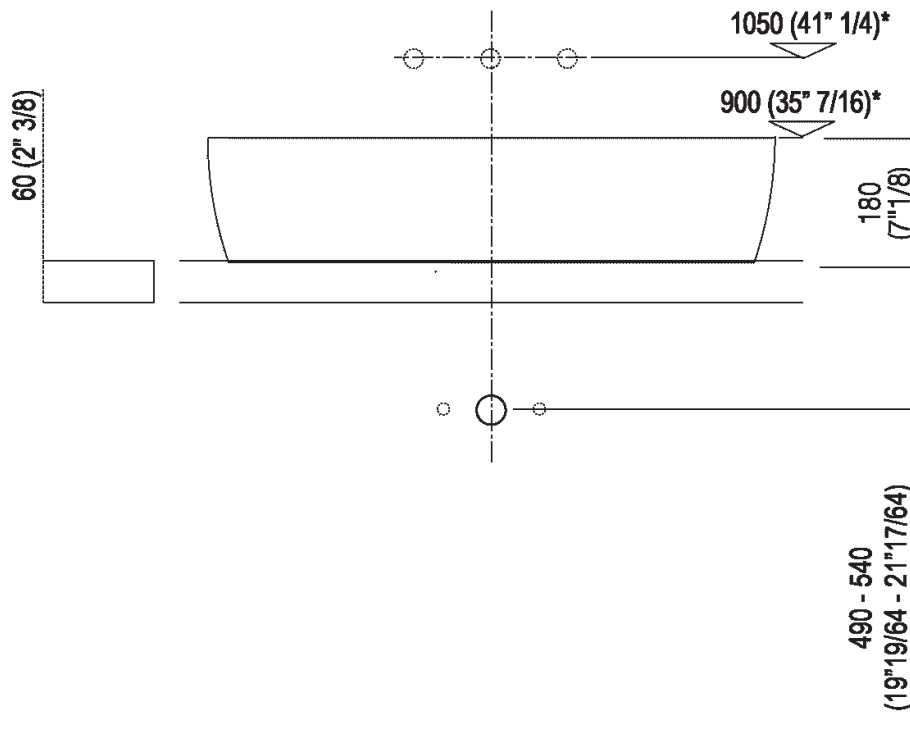


Scarico per sifone a bottiglia e ad incasso
Drain for bottle trap and concealed waste trap

*h.consigliata / advised h.



Installation notes: countertop with concealed wall
 fixings/freestanding with thickness cm 6 (2"3/8)

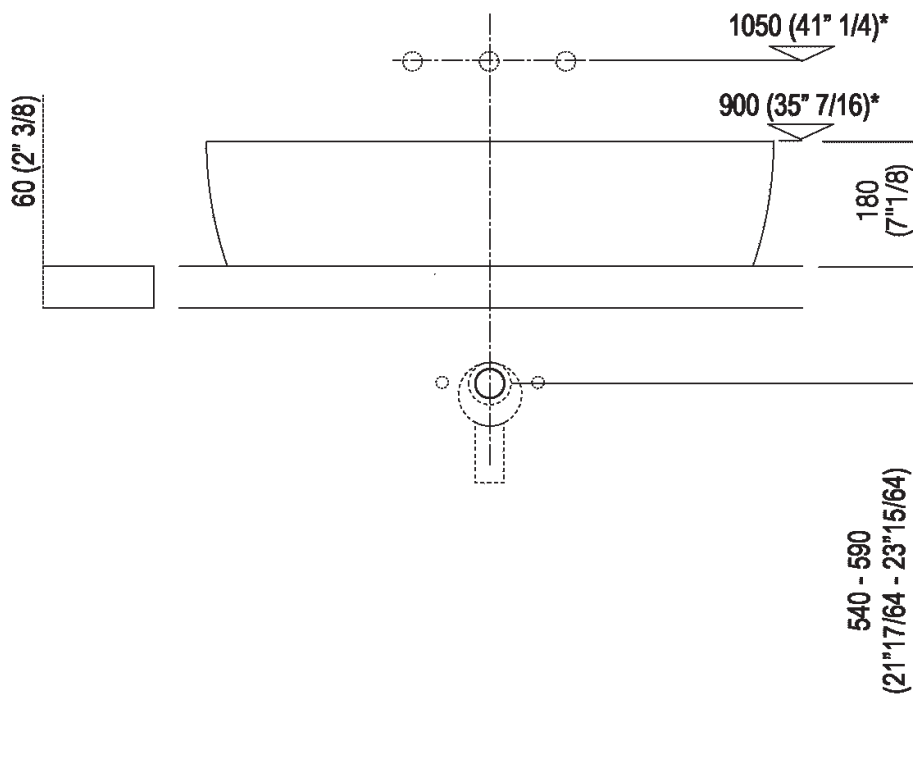


Scarico per sifone a bottiglia
Drain for bottle trap

*h.consigliata / advised h.



Installation notes: countertop with concealed wall
 fixings/freestanding with thickness cm 6 (2"3/8)

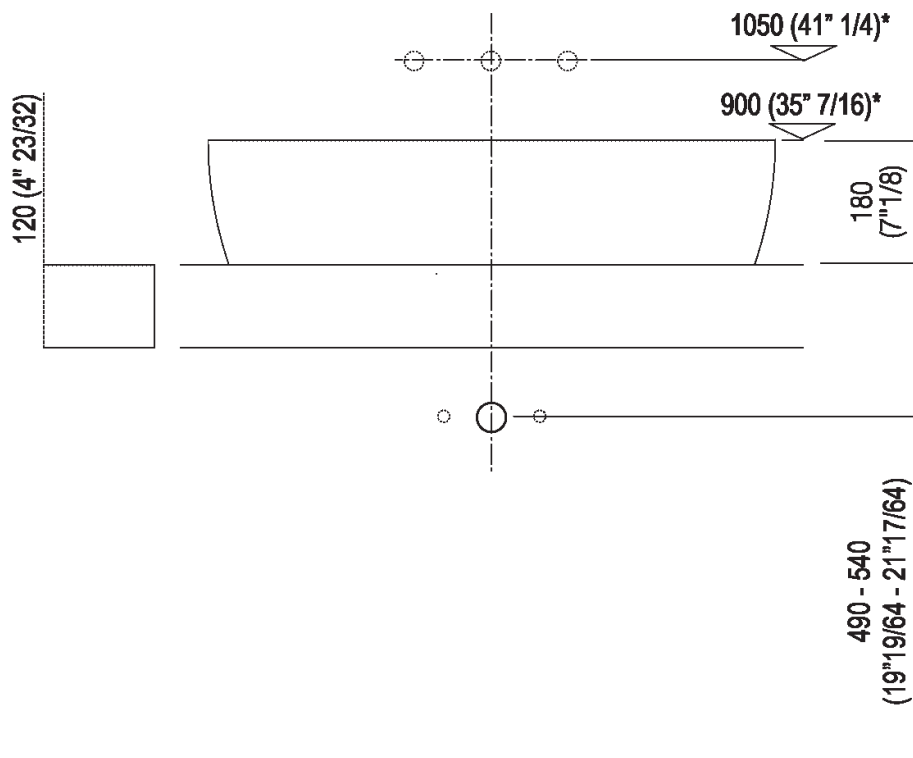


Scarico per sifone ad incasso
Drain for concealed waste trap

*h.consigliata / advised h.



Installation notes: countertop with concealed wall
 fixings/freestanding with thickness cm 12 (4"23/32)

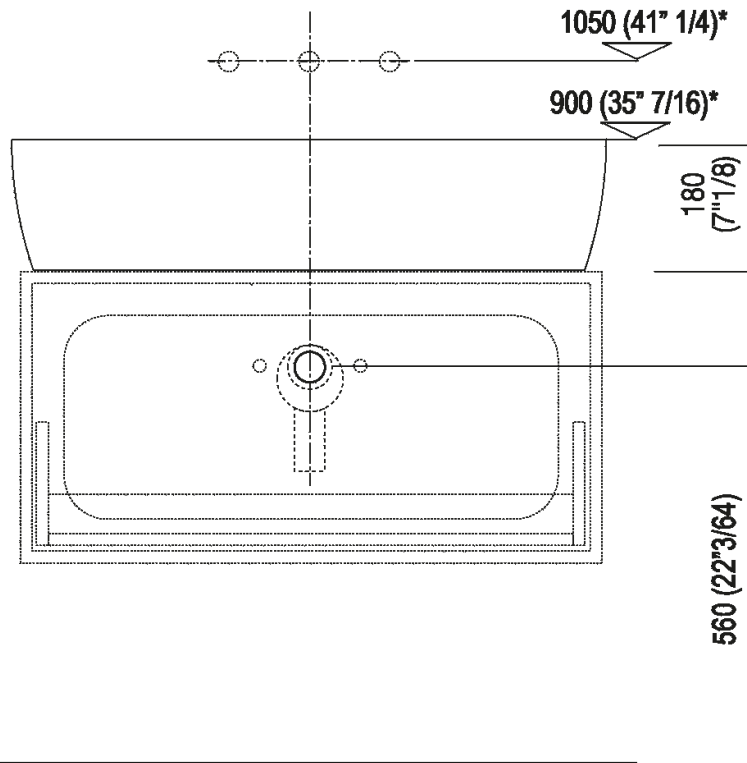


Scarico per sifone a bottiglia
 Drain for bottle trap

*h.consigliata / advised h.



Installation notes: on casing H 40 cm Lato

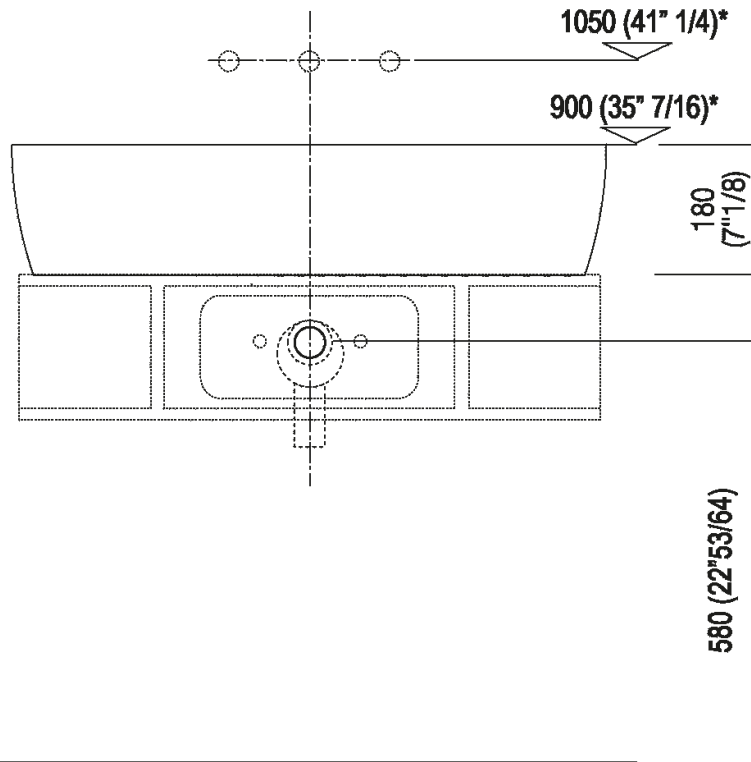


Scarico per sifone a bottiglia e ad incasso
Drain for bottle trap and concealed waste trap

*h.consigliata / advised h.



Installation notes: on casing H 20 cm Lato



Scarico per sifone a bottiglia e ad incasso
Drain for bottle trap and concealed waste trap

***h.consigliata / advised h.**