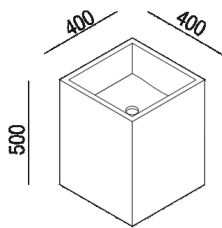




Wall mounted washbasin with waste
 ACER0770M_

Benedini Associati, 2003

Cubical independent washbasin in plywood.



Finishes

-  Natural oak
-  Brown oak
-  Dark oak
-  Reconstituted with teak finish

Materials

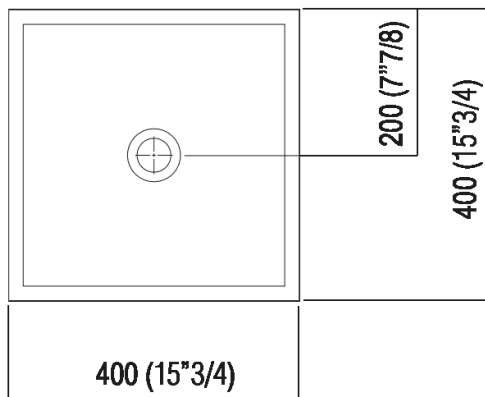
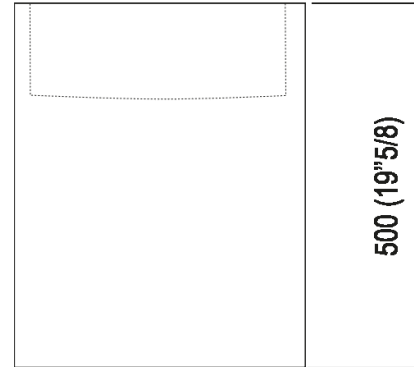
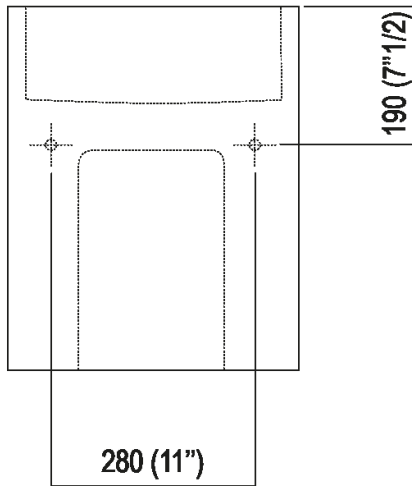
-  Wood

Square washbasin in waterproof birch plywood with natural, brown, dark oak or veneer or in reconstituted wood whit teak finish, without tap hole and overflow, complete with fixing kit. This washbasin comes fitted with the .MET0563 waste, which is already included in the price.

Height:	50 cm	19"5/8 inches
Width:	40 cm	15"3/4 inches
Weight:	15 kg	33 lbs
Depth:	40 cm	15"3/4 inches
Packaging:	47 x 44 x 66 cm	18" 4/8 x 17" 3/8 x 26" inches
Total weight:	17 kg	37 lbs

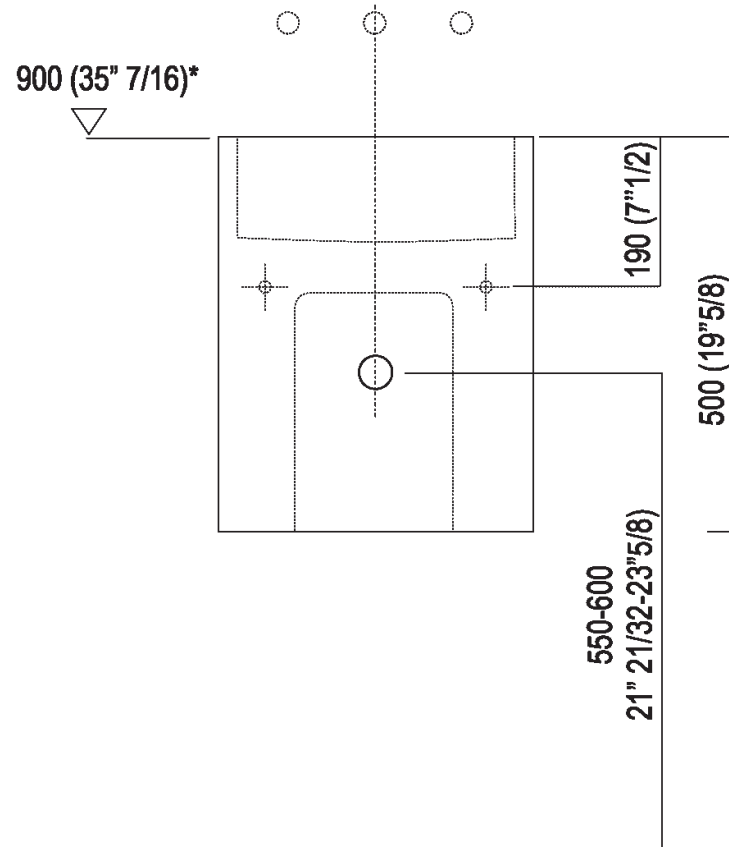


Main dimensions





Installation notes



*h.consigliata / advised h.



Tap position, recommended height

POSIZIONE RUBINETTERIA / TAP POSITION

Altezza consigliata / Recommended height

