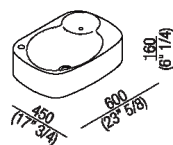




Wall mounted washbasin with tap hole  
 ACER0763MRZ

Andrea Morgante (Shiro Studio) - Shiro  
 Studio, 2010

Rectangular washbasin in Cristalplant®  
 biobased or marble.<br>



**Finishes**



White

**Materials**



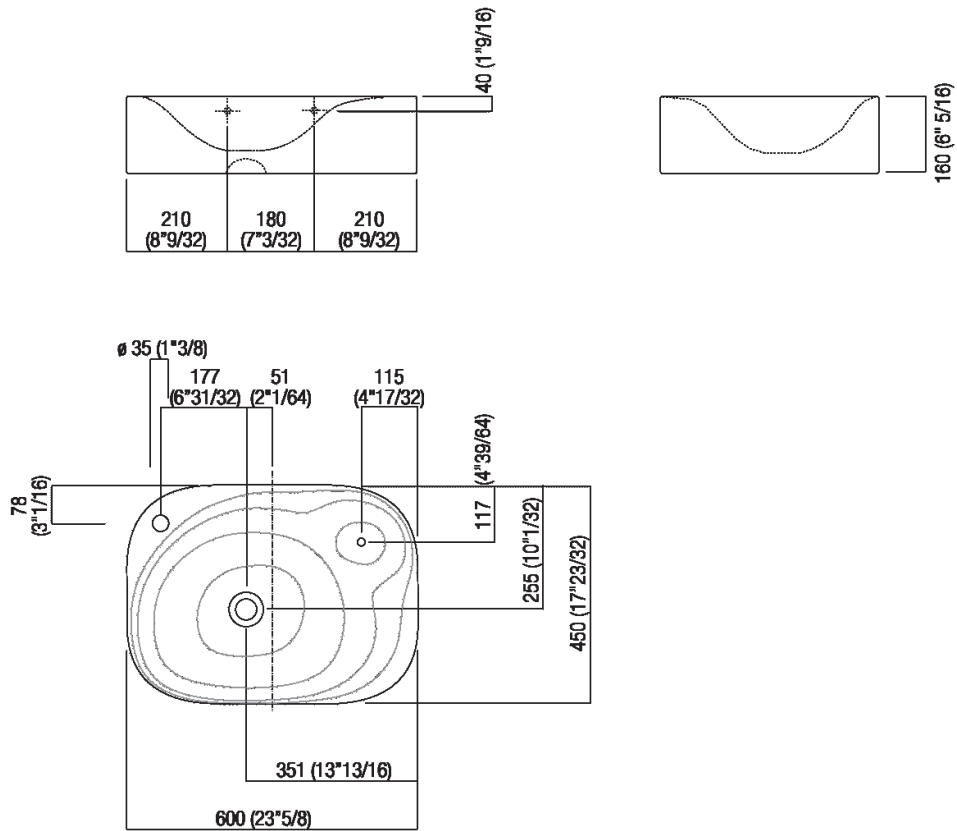
Cristalplant® biobased

Wall mounted washbasin in white Cristalplant® biobased with overflow hole in a small basin connected with the main basin, which also can be used as a soap holder. Wall mounted version with or without tap hole. Designed for waste .MET0563. Fixing kit included. The overflow hole has a maximum capacity of 8 l/min, therefore it is advisable to install a waste designed for washbasins without overflow.

Height:	16 cm	6" 1/4 inches
Width:	60 cm	23" 5/8 inches
Weight:	13 kg	29 lbs
Depth:	45 cm	17" 3/4 inches
Packaging:	55 x 70 x 25 cm	21"5/8 x 27"4/8 x 9"7/8 inches
Total weight:	16 kg	35 lbs

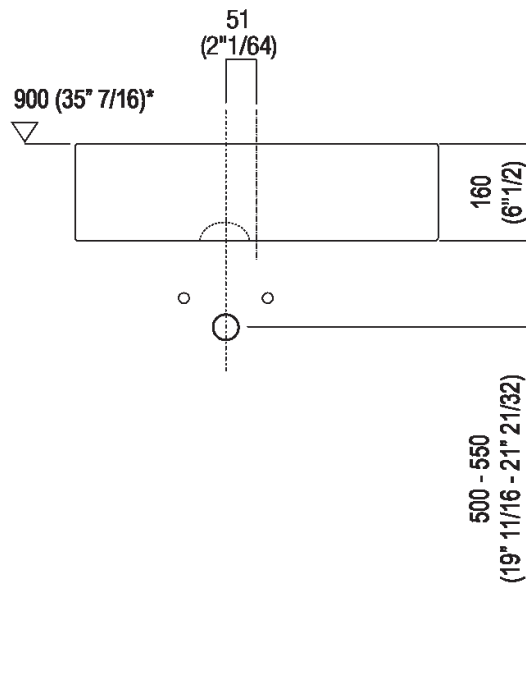


Main dimensions





**Installation notes**

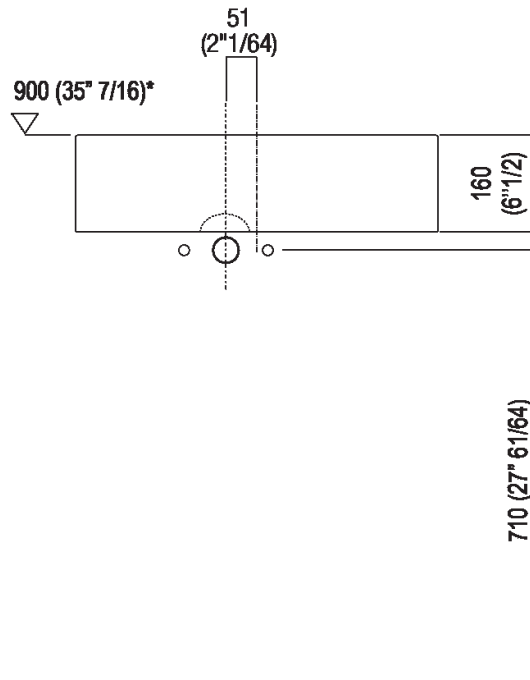


**Scarico per sifone a bottiglia**  
**Drain for bottle trap**

\*h.consigliata / advised h.



Installation notes



Scarico per sifone ad incasso  
Drain for concealed waste trap

\*h.consigliata / advised h.