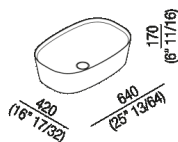




Washbasin
 ACER0701

Benedini Associati, 2018

Over countertop washbasin in Cristalplant®
 biobased.



Countertop washbasin in white or two-coloured Cristalplant®; biobased (soft touch exterior in dark grey RAL7021 or light grey RAL7044), without tap hole, no overflow. The washbasin is fitted with a waste with cap flush with the inner surface of the washbasin in the same finish as the washbasin itself.

Finishes

-  White
-  White/dark grey
-  White/light grey

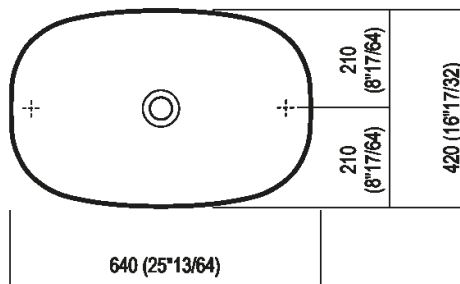
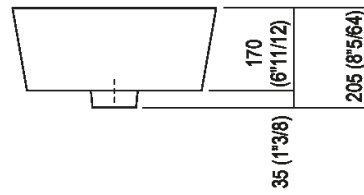
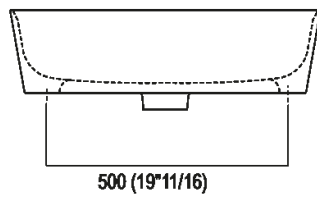
Materials

-  Cristalplant® biobased

Height:	17 cm	6" 11/16 inches
Length:	64 cm	25" 13/64 inches
Weight:	9 kg	20 lbs
Depth:	42 cm	16" 17/32 inches
Packaging:	52 x 75 x 32 cm	20" 1/2 x 29" 1/2 x 12" 5/8 inches
Total weight:	14 kg	31 lbs

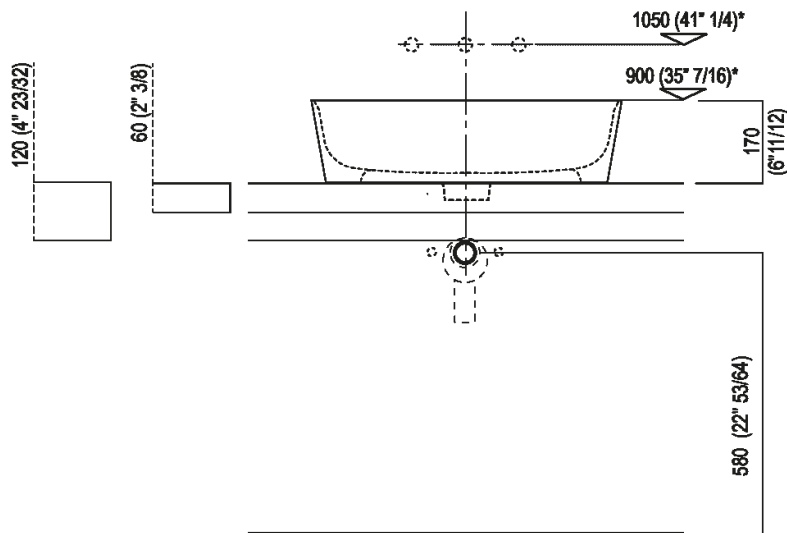


Main dimensions





Installation notes: on self-bearing countertop

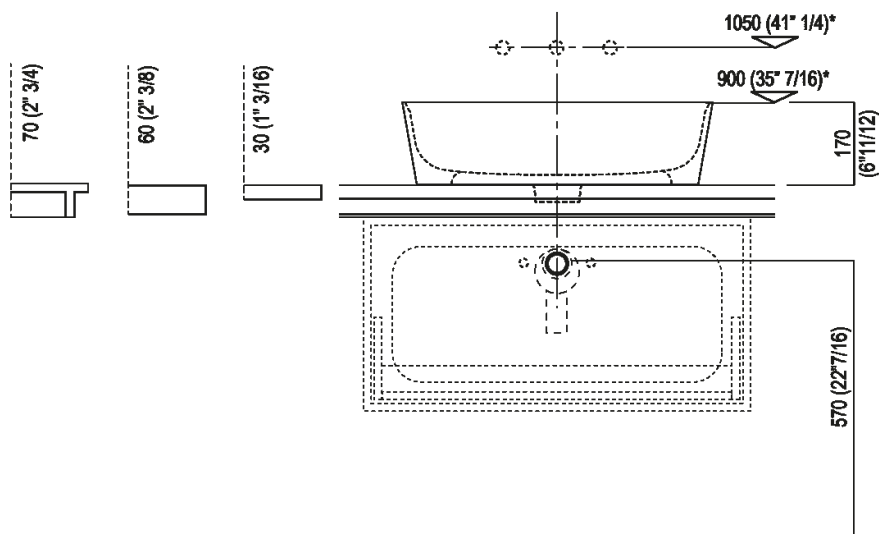


Scarico per sifone a bottiglia e ad incasso
 Drain for bottle trap and concealed waste trap

*h.consigliata / advised h.



Installation notes: on countertop to be resede on cabinet

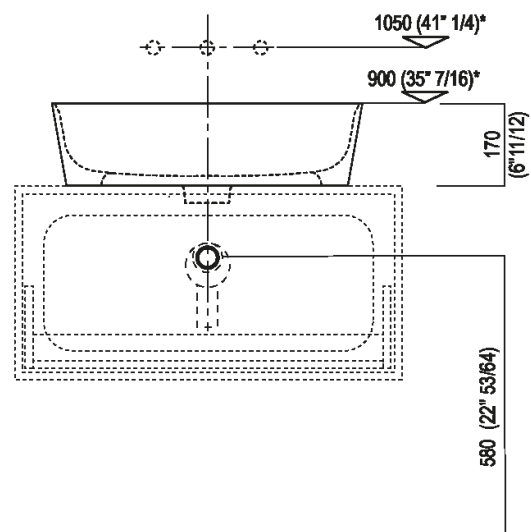


Scarico per sifone a bottiglia
Drain for bottle trap

*h.consigliata / advised h.



Installation notes: on casing H 40 cm Lato

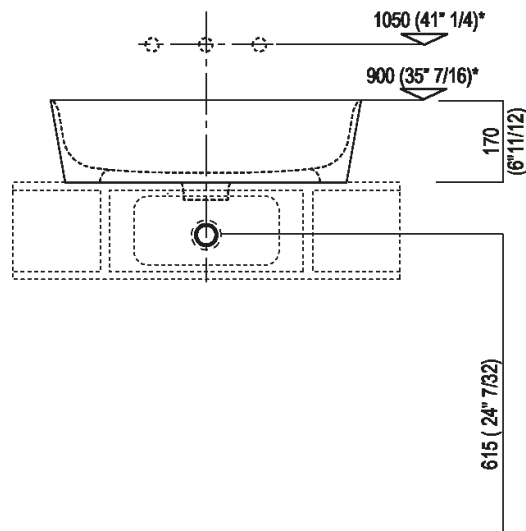


Scarico per sifone a bottiglia
Drain for bottle trap

*h.consigliata / advised h.



Installation notes: on casing H 20 cm Lato



Scarico per sifone a bottiglia
Drain for bottle trap

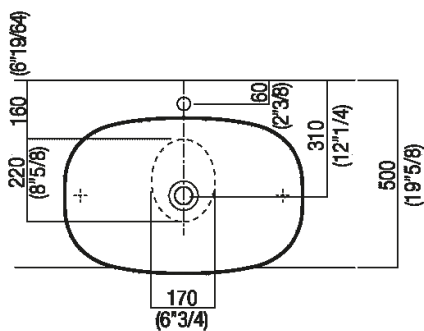
*h.consigliata / advised h.



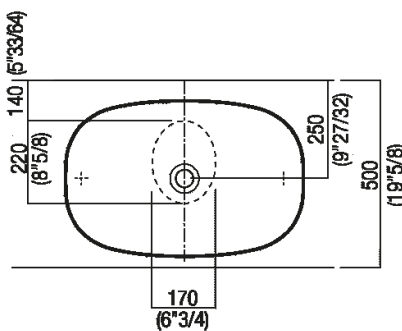
Holes for countertop washbasins and top mounted taps for top

PIANO cm 50 / COUNTERTOP cm 50

Posizione standard per rubinetto su piano
Standard position for top mounted tap



Posizione standard per rubinetto a parete
Standard position for wall mounted tap



Posizione speciale per rubinetto Sen a parete e Square con bocca curva
Special position for wall mounted tap Sen and Square white curved spout

NON NECESSARIA
NOT NECESSARY

NON POSSIBILE SUL LATO



Tap position, recommended height

POSIZIONE RUBINETTERIA / TAP POSITION

Altezza consigliata / Recommended height

