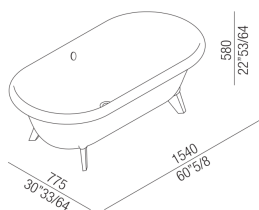




Bathtubs Free-standing Ottocento Small  
**AVAS0967\_**

Benedini Associati, 2013

Bathtub with waste and overflow connection



**Finishes**



Brushed burnished



Brushed chrome



Chrome



White



White/dark grey



White/light grey

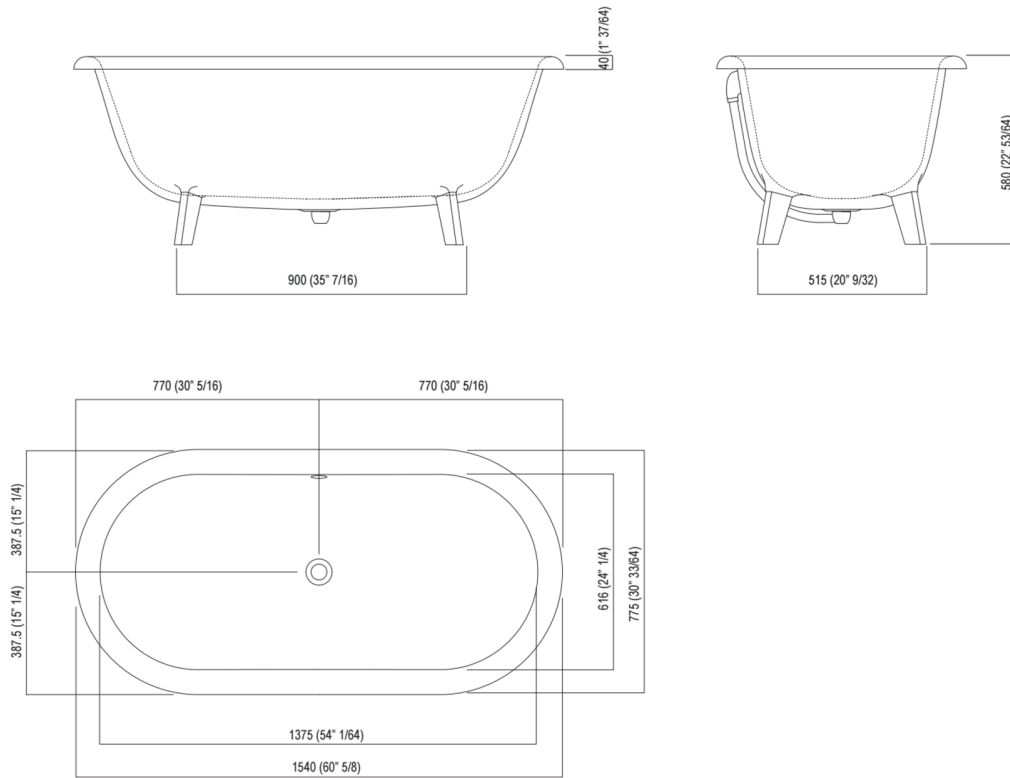
Classical bathtub made from Cristalplant® biobased, available in white or two colour (exterior in dark grey RAL7021 or light grey RAL 7044) outside, with feet of the same material. Supplied with external waste and external overflow connection .MET1516 (available or chrome or brushed chrome or brushed burnished finish) also suitable for bathtubs in display; without tap holes. Taps can be wall or floor mounted. The two-coloured model can be made in a colour chosen by the client with a surcharge of 15%.

Materials used: Brass, Cristalplant® biobased.

Height:	58.0 cm	22"53/64 inches
Depth:	77.5 cm	30"33/64 inches
Length:	154.0 cm	60"5/8 inches
Capacity:	200.0 l	53 gal
Weight:	50.0 kg	110 lbs
Packaging measurements:	92 x 168 x 70 cm	36"1/2 x 105"1/2 x 27"1/2 inches
Weight with packaging:	94.0 kg	207 lbs

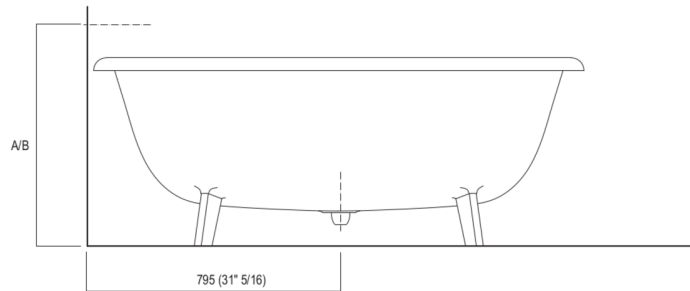
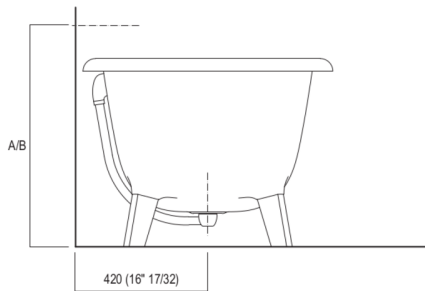


Main dimensions





Dimensions for wall mounted taps

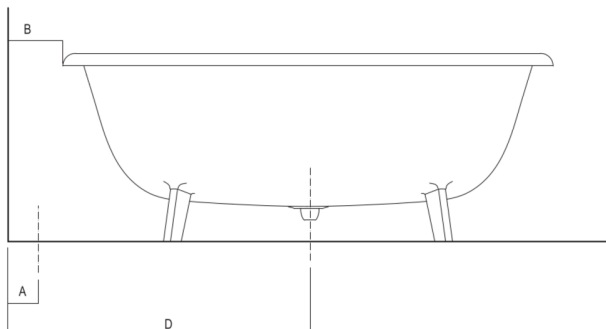
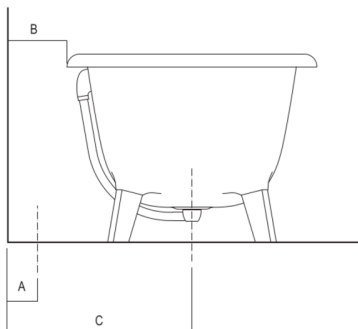


	A*	B**
FEZ (ARUB050000L, ARUB051000L, ARUB150000C, ARUB151000C, ARUB1089S, ARUB190000C, ARUB191000C, ARUB1091S)	700 (27 <sup>1</sup> / <sub>2</sub> )	-
MEMORY (ARUB1076S, ARUB1077S, ARUB1040S)	700 (27 <sup>1</sup> / <sub>2</sub> )	-
SQUARE (ARUB0932N, ARUB0933N, ARUB1118)	-	700 (27 <sup>1</sup> / <sub>2</sub> )
SEN (ASEN0912V)	-	700 (27 <sup>1</sup> / <sub>2</sub> )

\* inserasse gruppo / axial distance for tap  
 \*\* filo inferiore gruppo / Tap's lower edge



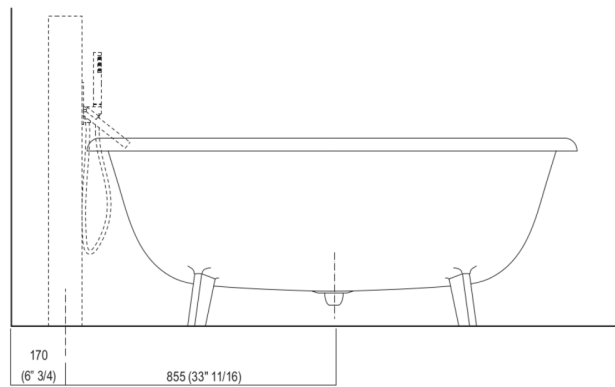
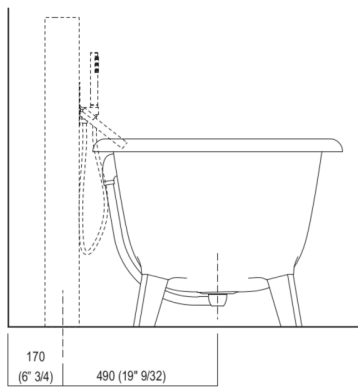
Dimensions for freestanding spouts



	A	B	C	D
FEZ (ARUB140, RAUB145, ARUB170N)	80 (3"1/8)	165 (6"1/2)	575 (22"41/64)	955 (37"5/8)
MEMORY (ARUB1078, ARUB1072, ARUB1033)	80 (3"1/8)	165 (6"1/2)	575 (22"41/64)	955 (37"5/8)
SQUARE (ARUB0961L, ARUB0934L, ARUB0935NL, ARUB0936NL, ARUB0952L, ARUB1024N, ARUB1112, ARUB1115)	80 (3"1/8)	165 (6"1/2)	575 (22"41/64)	955 (37"5/8)
SEN (ASEN0911)	80 (3"1/8)	125 (4"59/64)	520 (20"15/32)	900 (35"7/16)

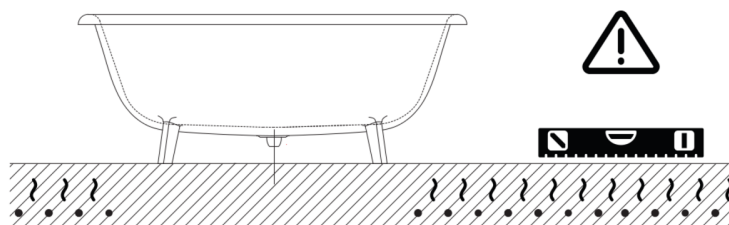


Dimensions for tap support





Note



La vasca deve essere installata su un pavimento perfettamente piano.  
The bathtub must be positioned on a flat floor surface.

Evitare di realizzare impianti di riscaldamento nell'area sottostante la vasca.  
Avoid the installation of floor heating plants in the area under the bathtub.



Dimensions for waste

