



Washbasins Lito 2

ACER0732

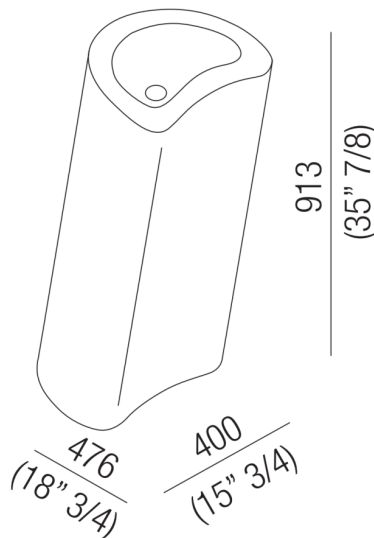
Angelo Mangiarotti, 2003

Independent washbasin without tap hole

Finishes



White Carrara



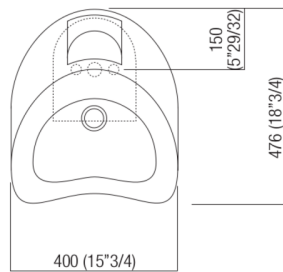
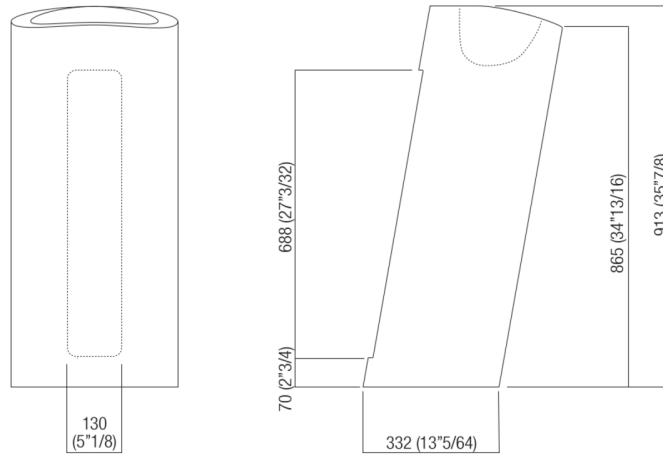
Floor standing washbasin carved in white Carrara marble, available with or without tap hole, without overflow. Compulsory floor fixing kit must be ordered separately. It is possible to order the fixing kit in advance to allow fixing under finished floor surface. Designed to take waste .MET0563. It must be fitted with a bottle trap. It is possible to connect it to the drain through the floor (requires AKIT0811).

Materials used: Marble.

Width:	40.0 cm	15"3/4 inches
Height:	91.3 cm	35"7/8 inches
Depth:	47.6 cm	18"3/4 inches
Weight:	153.0 kg	337 lbs
Packaging measurements:	56 x 57 x 110 cm	22" x 22"4/8 x 43"2/8 inches
Weight with packaging:	190.0 kg	419 lbs

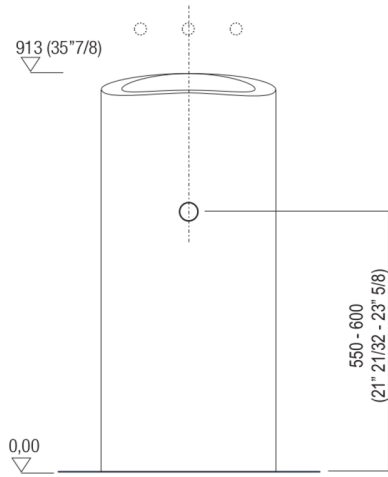


Main dimensions

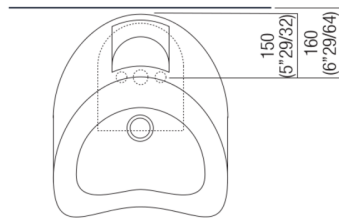




Installation notes

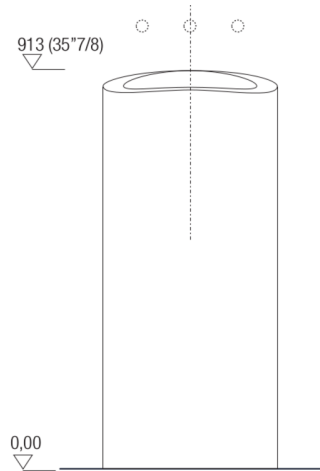


Scarico per sifone a bottiglia
Drain for bottle trap

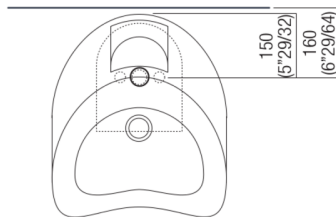




Installation notes



Scarico per sifone a pavimento
Drain for floor mounted waste trap



Tap position, recommended height

POSIZIONE RUBINETTERIA / TAP POSITION

Altezza consigliata / Recommended height

