



Washbasins Block
ACER720M1RZ

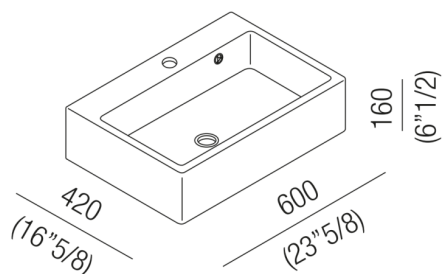
Benedini Associati, 1999

Independent washbasin with 1 tap hole

Finishes



White

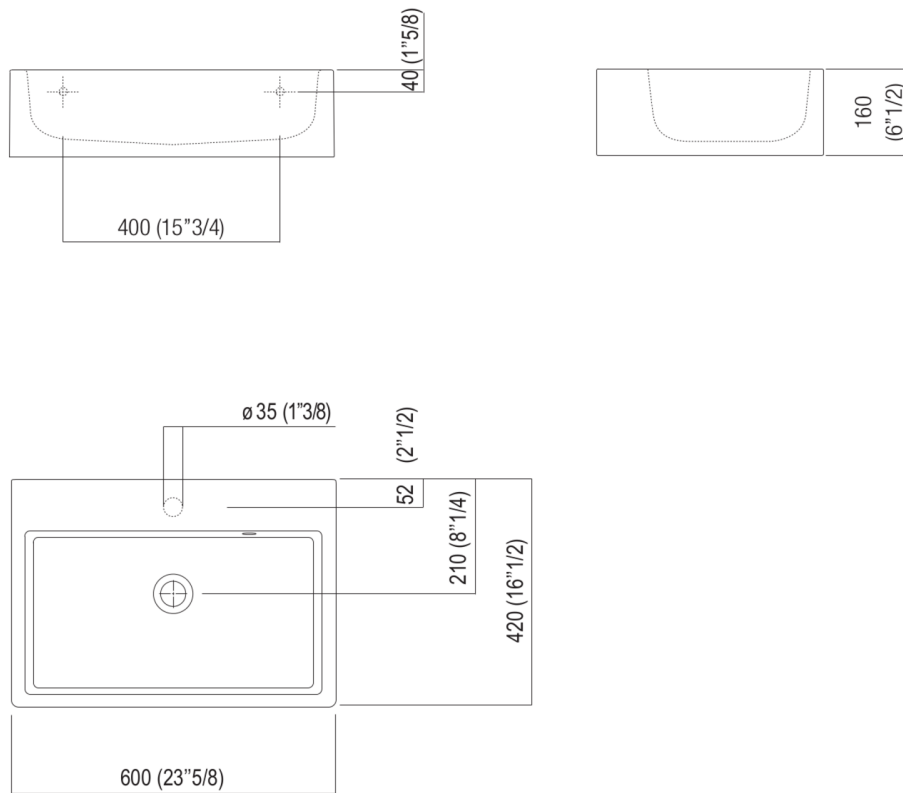


Rectangular washbasin made from Cristalplant® biobased with holes to take mixer tap. Complete with overflow, polished stainless-steel overflow collar and fittings, including fixing kit. Designed for waste .MET0346P or .MET0562.
 Materials used: Cristalplant® biobased.

Width:	60.0 cm	23"5/8 inches
Height:	16.0 cm	6"1/4 inches
Depth:	42.0 cm	16"1/2 inches
Capacity:	10.0 l	3 gal
Weight:	14.0 kg	31 lbs
Packaging measurements:	51 x 68 x 26 cm	20"1/8 x 26"6/8 x 10"2/8 inches
Weight with packaging:	17.0 kg	37 lbs

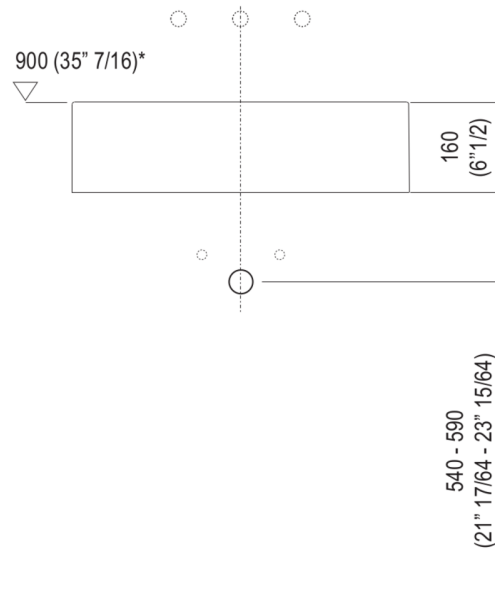


Main dimensions





Installation notes

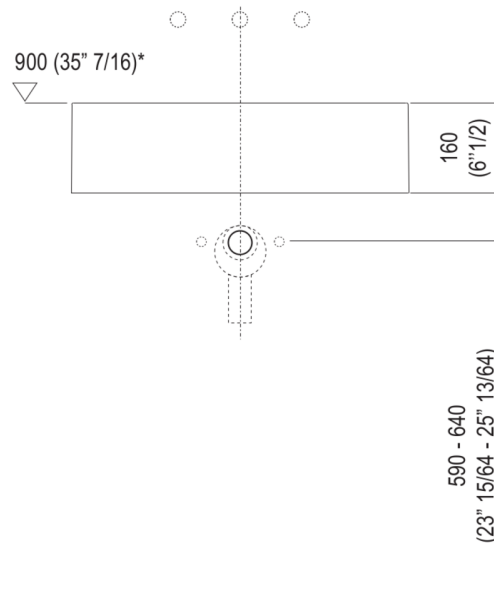


Scarico per sifone a bottiglia
Drain for bottle trap

*h.consigliata / advised h.



Installation notes

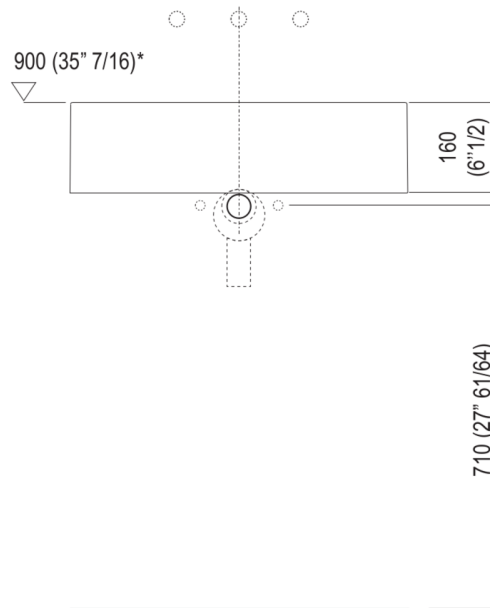


Scarico per sifone ad incasso
Drain for concealed waste trap

*h.consigliata / advised h.



Installation notes



Scarico per sifone ad incasso e piletta con canotto fisso
Drain for concealed waste trap with not adjustable pipe

*h.consigliata / advised h.