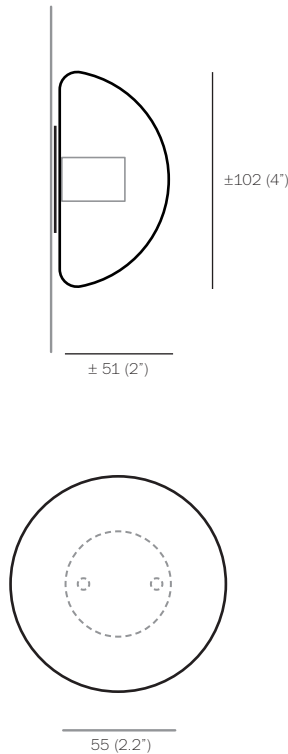


Approved to UL standards by CSA



approx 1kg (2lb)

- PENDANTS: one
- MOUNTING: white powder-coated mounting plate 55mm (2.2') diameter
- LAMPING: 10w xenon or 1.5w LED
- INSTALLATION: threaded on - wall or ceiling mount
- MATERIALS: cast glass, electrical components, white powder-coated steel mounting plate
- WEIGHT: approximately 1kg (2lb)
- TRANSFORMERS: remote mounted (fixture does not hook directly to a junction box)
1 transformer sent for every 5 pendants

DESCRIPTION

The 's' designation in this variation on the 14 refers to it being surface-mounted, with transformers mounted remotely. This surface light has a discrete 55mm (2.2') in diameter mounting plate designed to be mounted on walls as well as ceilings. It is also IP65 designated meaning that the 14s can be used outdoors and in other wet environments.

The 14.1 is an articulated, seamed cast glass sphere with a frosted cylindrical void that houses a low voltage lamp. Individual pendants are visually quite subtle, but gain tremendous strength when multiplied and clustered in large groups.

APPLICATIONS

The 14s surface mounted light is designed to be used as a wall and ceiling treatment for a wide range of environments. Use it as accessory lighting in living rooms, hallways or as decorative lighting in building lobbies and other spaces. Individual 14 surface mounted lights gain tremendous strength when clustered and multiplied.

Use it as accessory lighting in living rooms, bedrooms, hallways, stairwells or as decorative lighting in building lobbies and other spaces. Individual 28 surface mounted lights gain tremendous strength when clustered and multiplied.

NOTES

- + Purchase replacement lamps online at www.bocci.ca/lamps
- + Requires transformers to be remote mounted.
- + Unless otherwise specified, a single class 2 transformer will be sent with every 5 surface lights.
- + Available IP65 designated when specified.

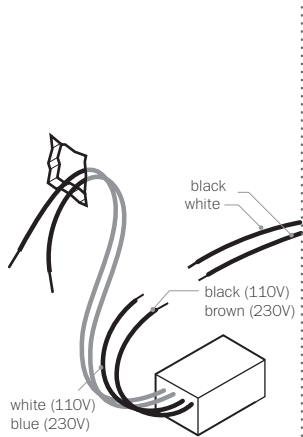
US patent #D628,740
Canadian industrial design patent #134238

Made in Vancouver, Canada

BOCCI Vancouver
sales@bocci.ca
www.bocci.ca

BOCCI Berlin
europe@bocci.ca
www.bocci.ca

14s



1

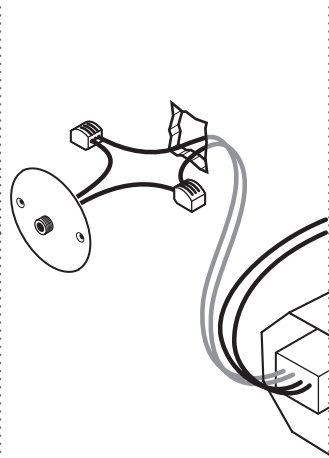
Mount transformer remotely and route output wiring from transformer to surface mounted light location.

Note: Up to 5 surface mounted lights may be connected to a single transformer.

For 110 V, connect black wire to the black wire and white to the white wire.

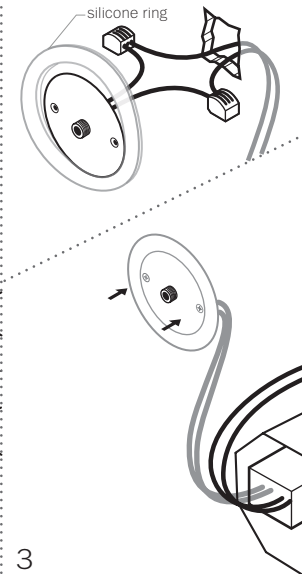
For 230 V, connect black wire to the brown wire and white wire to the blue wire.

Note: Standard junction boxes are not compatible with the 14s. The surface mounted light cover plate mounts directly to the wall. Transformers must be remote mounted in a close by, accessible and hidden location for ease of long term maintenance. Installation to be done by certified personnel to ensure code compliance.



2

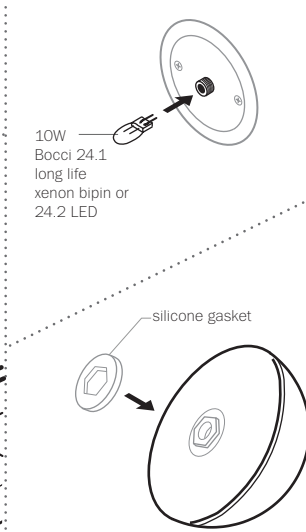
Join transformer wiring to cover plate wiring using connectors provided.



3

Slightly stretch the silicone ring to fit around the cover plate.

Tuck wiring into wall opening and affix the cover plate with fasteners provided.



4

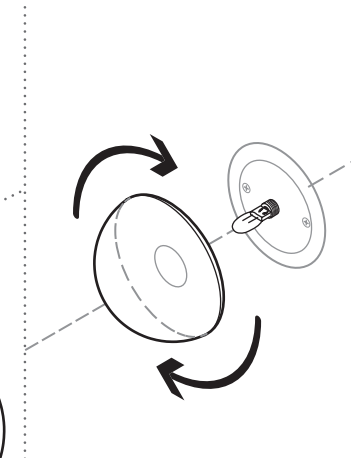
Lamp fixture using Bocci 24.1 long life bipin xenon lamp, or Bocci 24.2 LED.

Plug the lamp into the socket. Do not touch the lamp with your bare hands.

Purchase replacement lamps online at www.bocci.ca/lamps

Please note: when using a dimmer use only low voltage electronic dimmers to ensure the fixture works properly.

Put the silicone gasket onto the nut with the indented side facing toward the cast glass hemisphere.



5

Gently thread cast glass hemisphere onto cover plate. Do not tighten past the point of contact.

6

Clean fingerprints from glass surfaces.

Turn fixture on.

*

For additional assistance, please contact Bocci:

BOCCI Vancouver

info@bocci.ca
www.bocci.ca

BOCCI Berlin

europe@bocci.ca
www.bocci.ca

IP65

suitable for wet location

Worldwide patents issued and pending.

US patent # US D556,361

Made in Vancouver, Canada

Approved to UL standards by CSA

