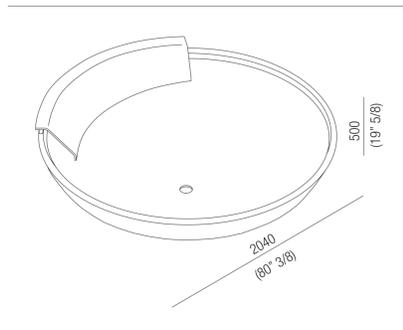




Bathtubs Free-standing Ufo
AVAS0906_

Benedini Associati, 2002

Bathtub with 1 backrest



Finishes



Painted dark grey



Painted white



Polished



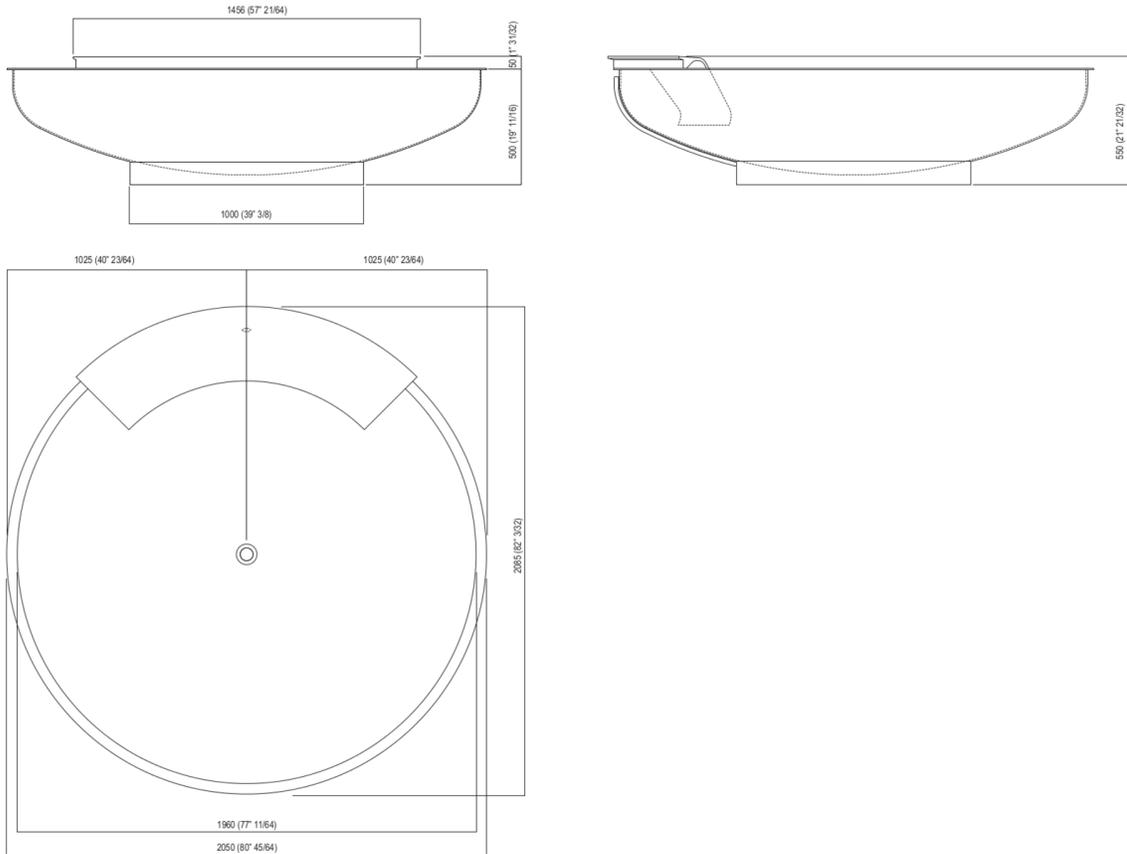
White

Circular stainless steel bathtub, in polished finish or in steel painted white with dark grey exterior (RAL7021) with backrest in white Cristalplant® biobased, overflow hole, without tap holes. Taps can be wall or floor mounted. The bath must be fitted with waste trap .MET0433WU (.MET0434 for bathtubs on display). For an easier installation of the bathtubs we recommend to use the template for the positioning of the waste trap AKITPZVAS. Materials used: Cristalplant® biobased, Stainless steel, Steel.

Height:	50.0 cm	19" 5/8 inches
Diameter:	204.0 cm	80" 3/8 inches
Capacity:	880.0 l	232 gal
Weight:	200.0 kg	441 lbs
Packaging measurements:	210 x 210 x 55 cm	82"5/8 x 82"5/8 x 21"5/8 inches
Weight with packaging:	370.0 kg	815 lbs

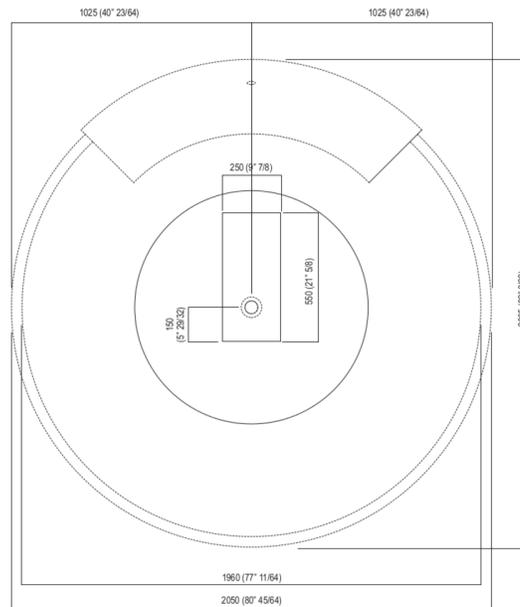


Main dimensions



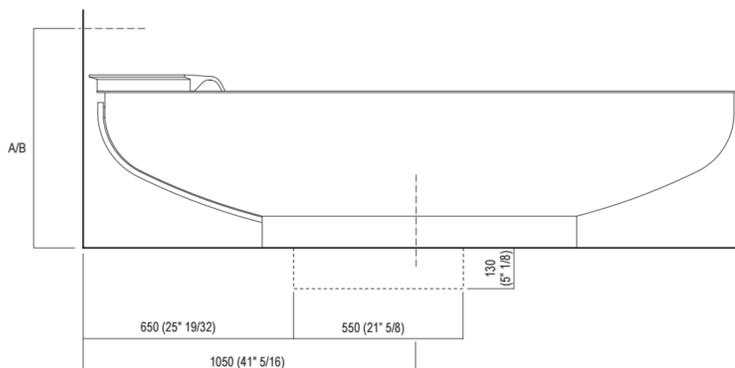


Dimensions for recess





Dimensions for wall mounted taps

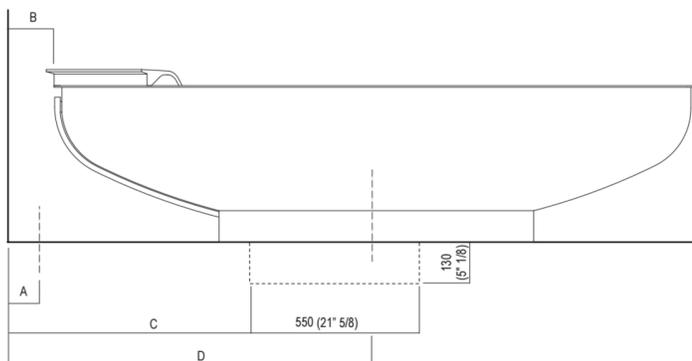


	A*	B**
FEZ (ARUB050000L, ARUB051000L, ARUB150000C, ARUB151000C, ARUB1089S, ARUB190000C, ARUB191000C, ARUB1091S)	620 (24*13/32)	-
MEMORY (ARUB1076S, ARUB1077S, ARUB1040S)	620 (24*13/32)	-
SQUARE (ARUB0932N, ARUB0933N, ARUB1118)	-	620 (24*13/32)
SEN (ASEN0912V)	-	620 (24*13/32)

* inserasse gruppo / axial distance for tap
 ** filo inferiore gruppo / Tap's lower edge

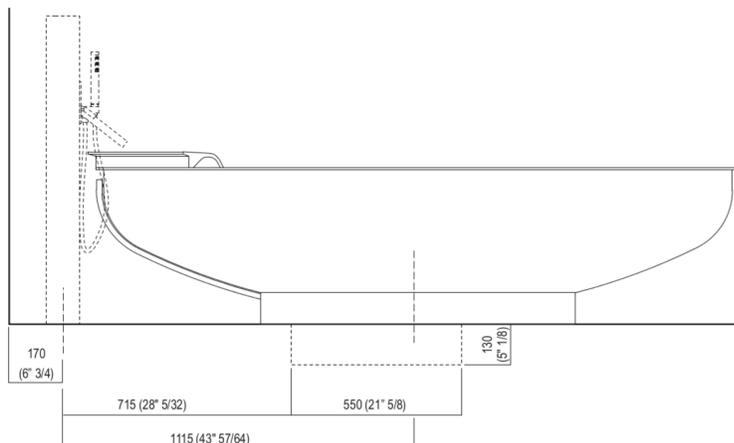


Dimensions for freestanding spouts



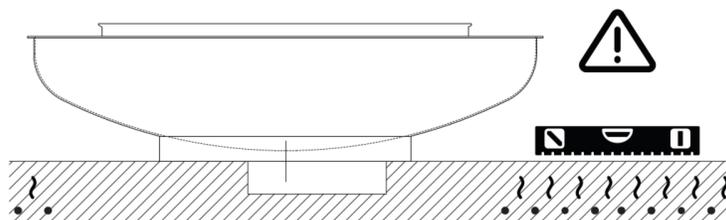
	A	B	C	D
FEZ (ARUB140, RAUB145, ARUB170N)	80 (3" 1/8)	145 (7" 7/8)	770 (30" 5/16)	1170 (46" 1/16)
MEMORY (ARUB1078, ARUB1072, ARUB1033)	80 (3" 1/8)	145 (7" 7/8)	770 (30" 5/16)	1170 (46" 1/16)
SQUARE (ARUB0961L, ARUB0934L, ARUB0935NL, ARUB0936NL, ARUB0952L, ARUB1024N ARUB1112, ARUB1115)	80 (3" 1/8)	145 (7" 7/8)	770 (30" 5/16)	1170 (46" 1/16)
SEN (ASEN0911)	80 (3" 1/8)	145 (7" 7/8)	770 (30" 5/16)	1170 (46" 1/16)

Dimensions for tap support





Note



La vasca deve essere installata su un pavimento perfettamente piano.
The bathtub must be positioned on a flat floor surface.

E' necessario predisporre a pavimento un pozzetto.
It is necessary to prepare a recess in the floor.

Evitare di realizzare impianti di riscaldamento nell'area sottostante la vasca.
Avoid the installation of floor heating plants in the area under the bathtub.