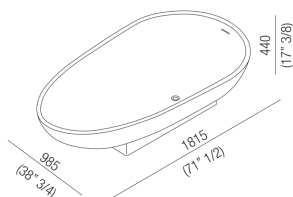




Bathtubs Free-standing Spoon
AVAS0901Z

Benedini Associati, 1998

Bathtub



Finishes



White



White/dark grey



White/light grey

White Cristalplant® biobased oval bathtub, with overflow hole, without tap holes. Taps can be wall or floor mounted. The bathtub must be fitted with waste trap .MET0477 or .MET0477C (.MET0434 or .MET0477C for display tubs).

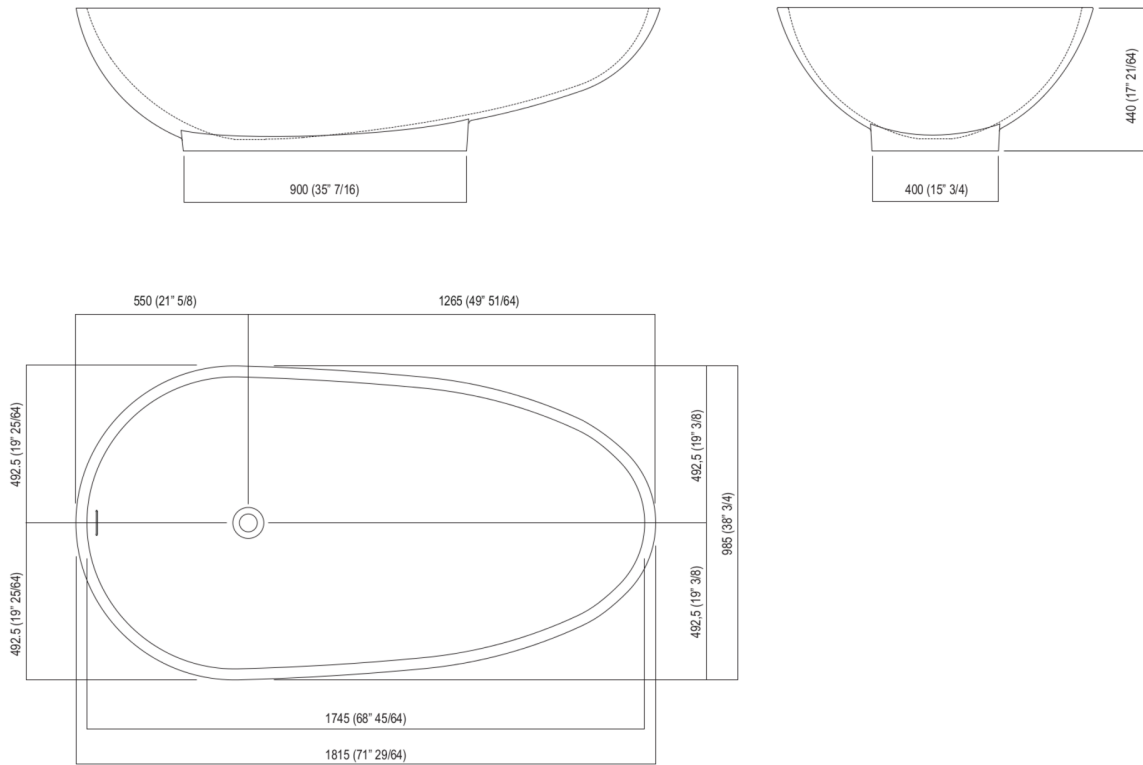
For an easier installation of the bathtubs we recommend to use the template for the positioning of the waste trap AKITPZVAS.

Materials used: Cristalplant® biobased.

Height:	44.0 cm	17" 3/8 inches
Depth:	98.5 cm	38" 3/4 inches
Length:	181.5 cm	71" 1/2 inches
Capacity:	220.0 l	58 gal
Weight:	85.0 kg	187 lbs
Packaging measurements:	107 x192 x 60 cm	42"1/8 x 75"5/8 x 23"5/8 inches
Weight with packaging:	131.0 kg	289 lbs

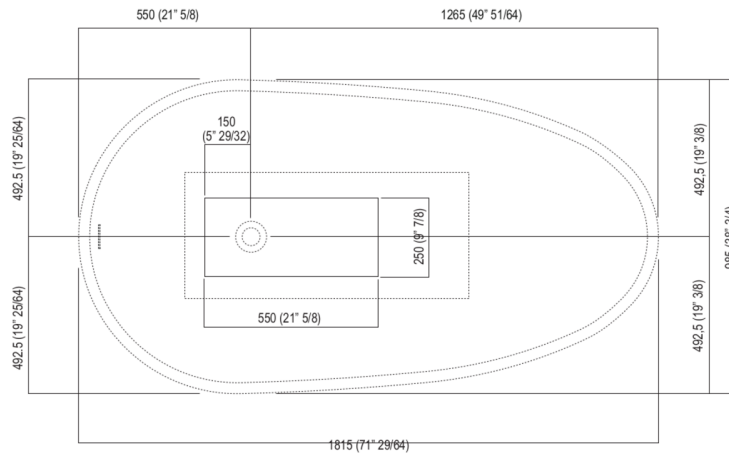


Main dimensions



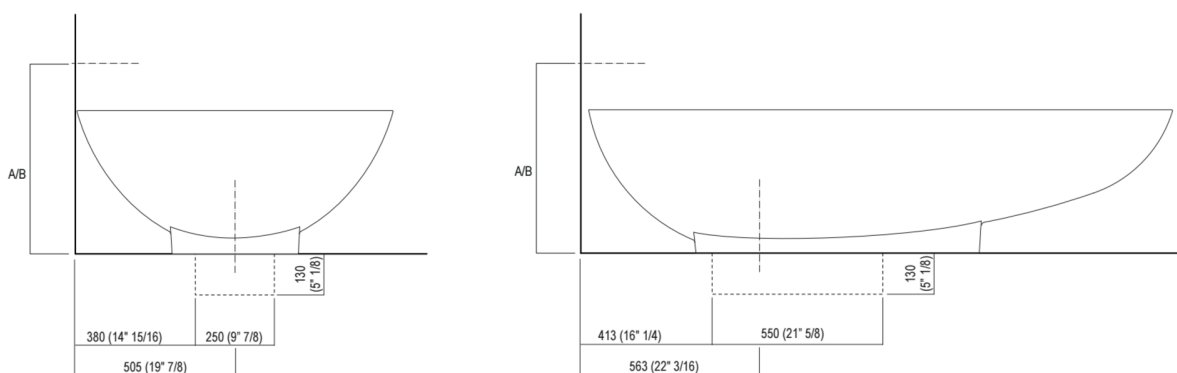


Dimensions for recess





Dimensions for wall mounted taps

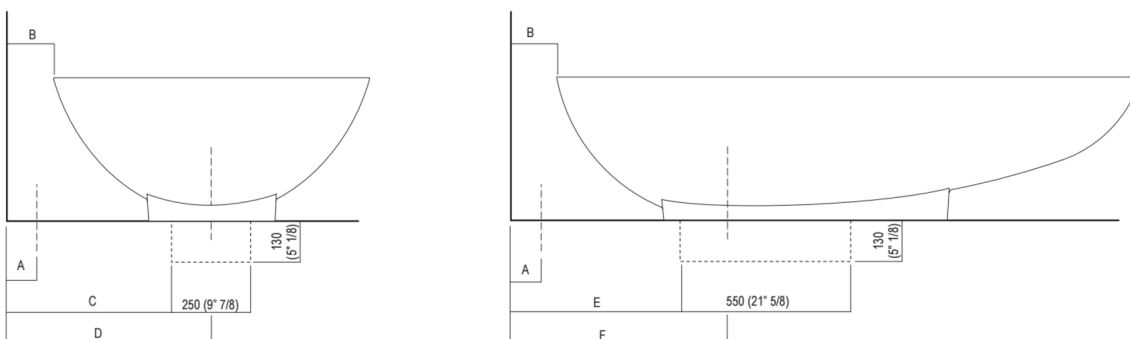


	A*	B**
FEZ (ARUB050000L, ARUB051000L, ARUB150000C, ARUB151000C, ARUB1089S, ARUB190000C, ARUB191000C, ARUB1091S)	590 (23 1/4)	-
MEMORY (ARUB1076S, ARUB1077S, ARUB1040S)	590 (23 1/4)	-
SQUARE (ARUB0932N, ARUB0933N, ARUB1117)	-	590 (23 1/4)
SEN (ASEN0912V)	-	590 (23 1/4)

* inserasse gruppo / axial distance for tap
 ** filo inferiore gruppo / Tap's lower edge



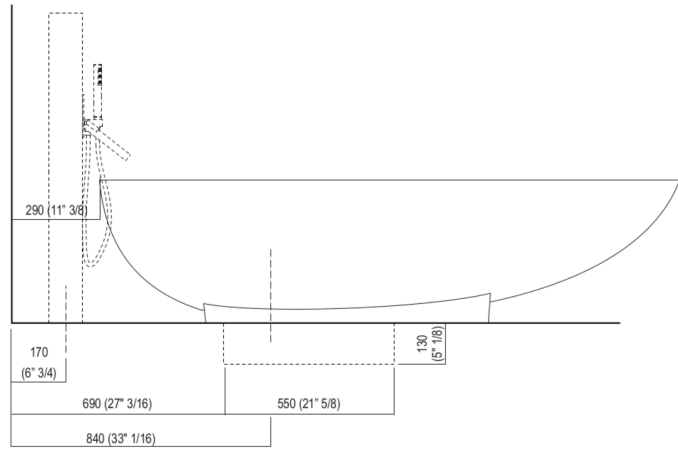
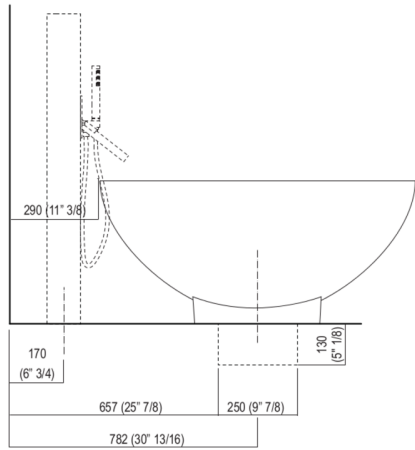
Dimensions for freestanding spouts



	A	B	C	D	E	F
FEZ (ARUB140, RAUB145, ARUB170N)	80 (3" 1/8)	200 (7" 7/8)	567 (22" 5/16)	692 (27" 1/4)	600 (23" 5/8)	750 (29" 1/2)
MEMORY (ARUB1078, ARUB1072, ARUB1033)	80 (3" 1/8)	200 (7" 7/8)	567 (22" 5/16)	692 (27" 1/4)	600 (23" 5/8)	750 (29" 1/2)
SQUARE (ARUB0961L, ARUB0934L, ARUB0935NL, ARUB0936NL, ARUB0952L, ARUB1024N, ARUB1112, ARUB1115)	80 (3" 1/8)	165 (6" 1/5)	507 (20")	657 (27" 5/8)	590 (23" 1/4)	715 (28" 1/8)
SEN (ASEN0911)	80 (3" 1/8)	165 (6" 1/5)	507 (20")	657 (27" 5/8)	590 (23" 1/4)	715 (28" 1/8)

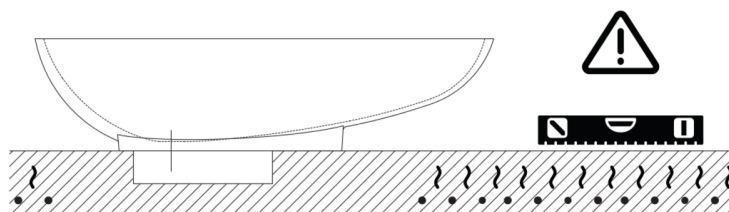


Dimensions for tap support





Note



La vasca deve essere installata su un pavimento perfettamente piano.
The bathtub must be positioned on a flat floor surface.

E' necessario predisporre a pavimento un pozzetto.
It is necessary to prepare a recess in the floor.

Evitare di realizzare impianti di riscaldamento nell'area sottostante la vasca.
Avoid the installation of floor heating plants in the area under the bathtub.