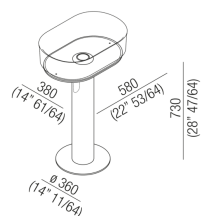




Washbasins Immersion  
**ACER0709PE**

Neri&Hu, 2018

Structure for washbasin designed for wall drainage



**Finishes**



Matt black painted

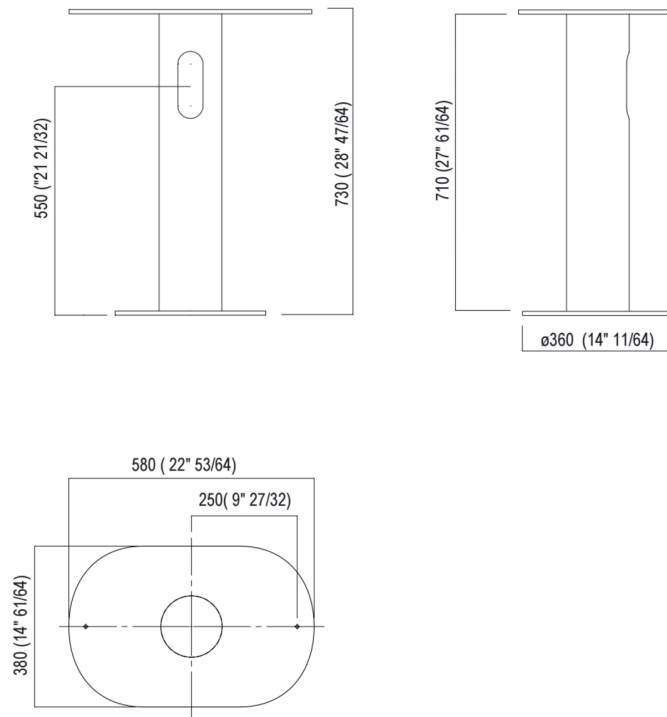


Matt black-coated (RAL9005) floor-standing metallic support with no tap hole, with direct drainage. The wall-mounted version is furnished with a rear slot for water connections.  
Materials used: iron.

Height:	73.0 cm	28"47/64 inches
Depth:	38.0 cm	14"61/64 inches
Length:	58.0 cm	22"53/64 inches
Diameter:	36.0 cm	14"11/64 inches
Weight:	33.0 kg	73 lbs
Packaging measurements:	62 x 41 x 76 cm	24"3/8 x 16"1/8 x 39"7/9 inches
Weight with packaging:	40.0 kg	88 lbs

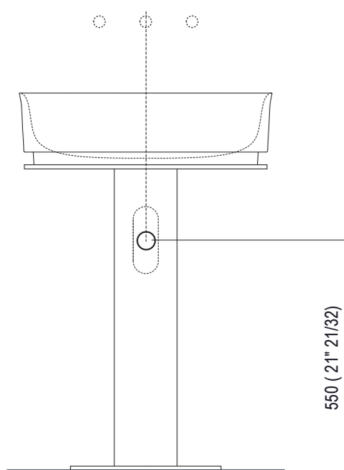


Main dimensions





Installation notes



Scarico per sifone a bottiglia  
Drain for bottle trap

Tap position, recommended height

POSIZIONE RUBINETTERIA / TAP POSITION

Altezza consigliata / Recommended height

