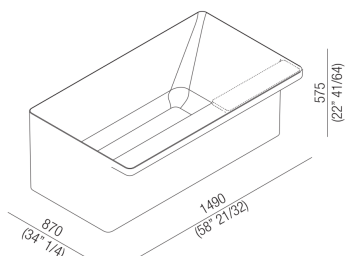




Bathtubs Free-standing Marsiglia
AVAS1075_

Lucidi Pevere, 2015

Freestanding bathtub



Finishes



Iroko



White



White/dark grey



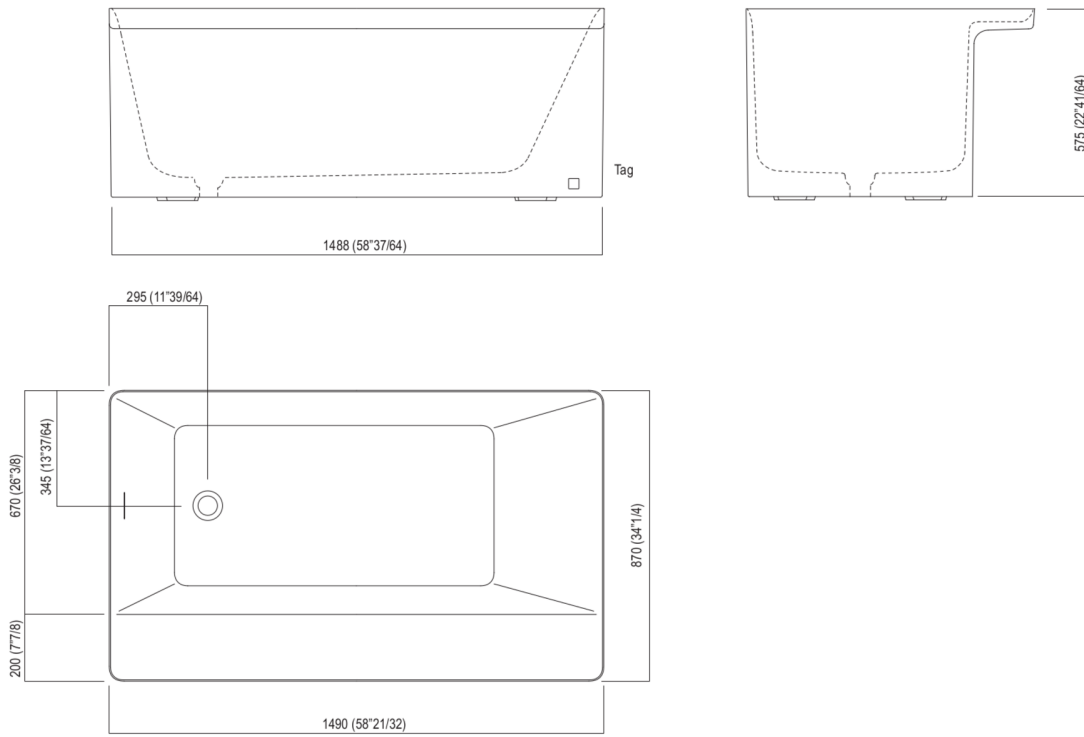
White/light grey

Bathtub in white Cristalplant® biobased or two colourd (exterior in dark grey RAL7021 or light grey RAL 7044) featuring a side shelf which can be equipped with a iroko tray. Available in freestanding version, with overflow hole. The tap can be positioned on the wall or on the ground. With waste with cap in white Cristalplant® biobased .MET0725C (can also be used for bathtubs on display). The two-coloured model can be made in a colour chosen by the client with a surcharge of 15%. For an easier installation of the bathtub we recommend to use the template for the positioning of the waste trap AKITPZVAS.
 Materials used: Cristalplant® biobased.

Height:	57.5 cm	22" 41/64 inches
Depth:	87.0 cm	34" 1/4 inches
Lenght:	149.0 cm	58" 21/32 inches
Capacity:	277.0 l	74 gal
Weight:	115.0 kg	253 lbs
Packaging measurements:	100 x 200 x 82 cm	39"3/8 x 78"3/4 x 32"1/4 inches
Weight with packaging:	173.0 kg	381 lbs

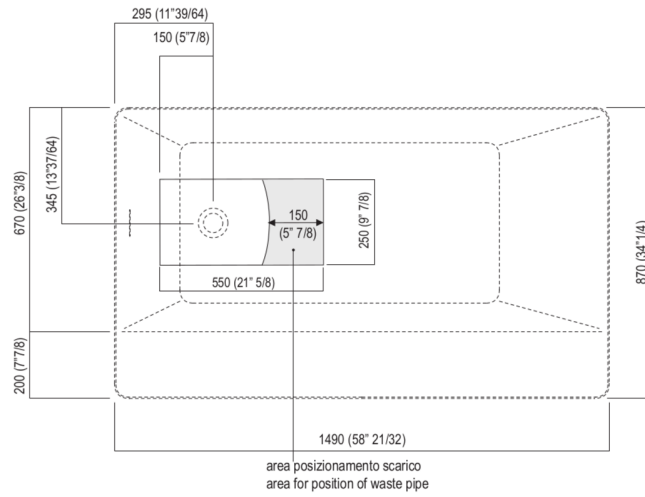


Main dimensions



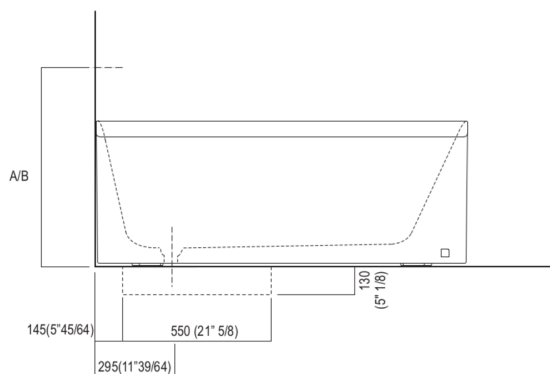


Dimensions for recess





Dimensions for wall mounted taps

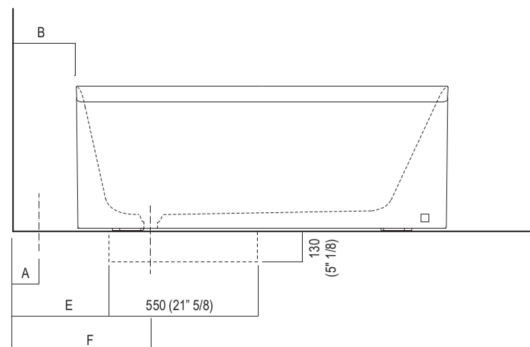
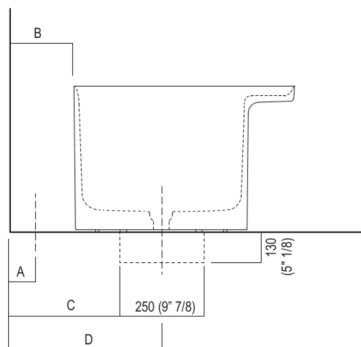


	A*	B**
FEZ (ARUB050000L, ARUB051000L, ARUB150000C, ARUB151000C, ARUB1089S, ARUB190000C, ARUB191000C, ARUB1091S)	725 (28'35/64)	-
MEMORY (ARUB1076S, ARUB1077S, ARUB1040S)	725 (28'35/64)	-
SQUARE (ARUB0932N, ARUB0933N)	-	725 (28'35/64)
SEN (ASEN0912V)	-	725 (28'35/64)

* inserasse gruppo / axial distance for tap
 ** filo inferiore gruppo / Tap's lower edge



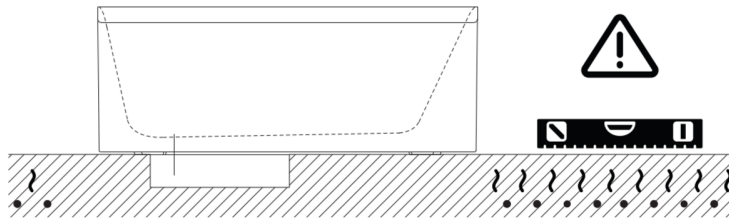
Dimensions for freestanding spouts



	A	B	C	D	E	F
FEZ (ARUB140, ARUB145, ARUB170N)	80 (3"1/8)	200 (7"7/8)	420 (16"17/32)	545 (21"29/64)	345 (13"37/64)	495 (19"31/64)
MEMORY (ARUB1078, ARUB1072, ARUB1033)	80 (3"1/8)	200 (7"7/8)	420 (16"17/32)	545 (21"29/64)	345 (13"37/64)	495 (19"31/64)
SQUARE (ARUB0961L, ARUB0934L, ARUB0935NL, ARUB0936NL, ARUB0952L, ARUB1024N, ARUB1112, ARUB1115)	80 (3"1/8)	165 (6"1/2)	385 (15"5/32)	510 (20"5/64)	310 (12"13/64)	460 (18"7/64)
SEN (ASEN0911)	80 (3"1/8)	165 (6"1/2)	385 (15"5/32)	510 (20"5/64)	310 (12"13/64)	460 (18"7/64)



Notes



La vasca deve essere installata su un pavimento perfettamente piano.
The bathtub must be positioned on a flat floor surface.

E' necessario predisporre a pavimento un pozzetto.
It is necessary to prepare a recess in the floor.

Evitare di realizzare impianti di riscaldamento nell'area sottostante la vasca.
Avoid the installation of floor heating plants in the area under the bathtub.