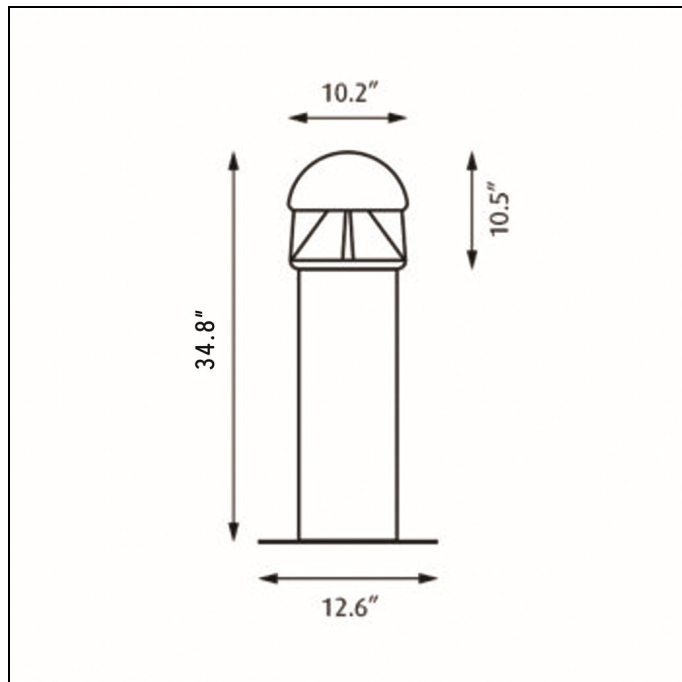


Waterfront



Design Dan Borgen Hasløv

Concept The fixture emits 100% glare-free downward light. The light distribution is symmetric and soft. The four supports create a comfortable symmetric light pattern at ground level.

Finish Graphite grey or natural painted aluminum, powder coated.

Material Enclosure: Injection molded clear U.V. stabilized polycarbonate. Housing: Die cast aluminum. Top: Die cast aluminum. Post: Extruded aluminum. Base plate: Die cast aluminum.

Mounting Base plate dimension: 12.6" diameter. Base plate: Mounted to a concrete base with 3 anchor bolts.

Weight Max. 35 lbs.

Label cULus, Wet location. IBEW.

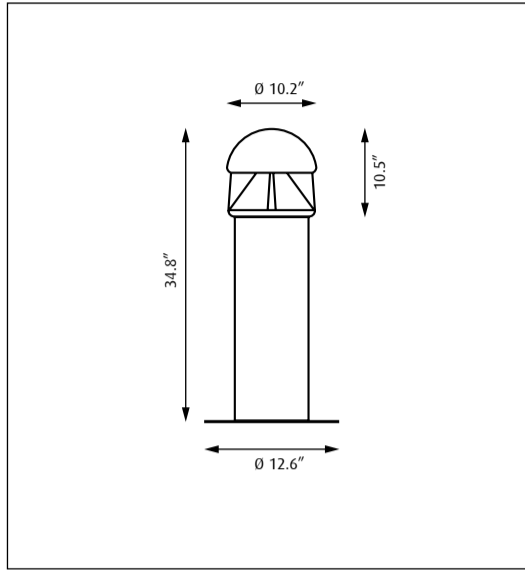
Product Code	Light source	Voltage	Finish
WAT-B	1/100W/MH/ED-17 medium	120/277V	GRAPH
	35W LED/3000K	120-277V	NAT PAINT ALU
	35W LED/4000K		

Specification notes

- a. MH variant provided with 120/277V F-can ballast to be mounted in the pole.
- b. LED variants provided with 120-277V electronic driver.

Waterfront LED

Design Dan Borgen Haslov



59548-11

Light source	Voltage	Weight	Electric shock protection	Ingress protection
LED	Max 120-277V	35 Lbs	Cl. I	IP 65, Wet location

Recommended cleaning substances:

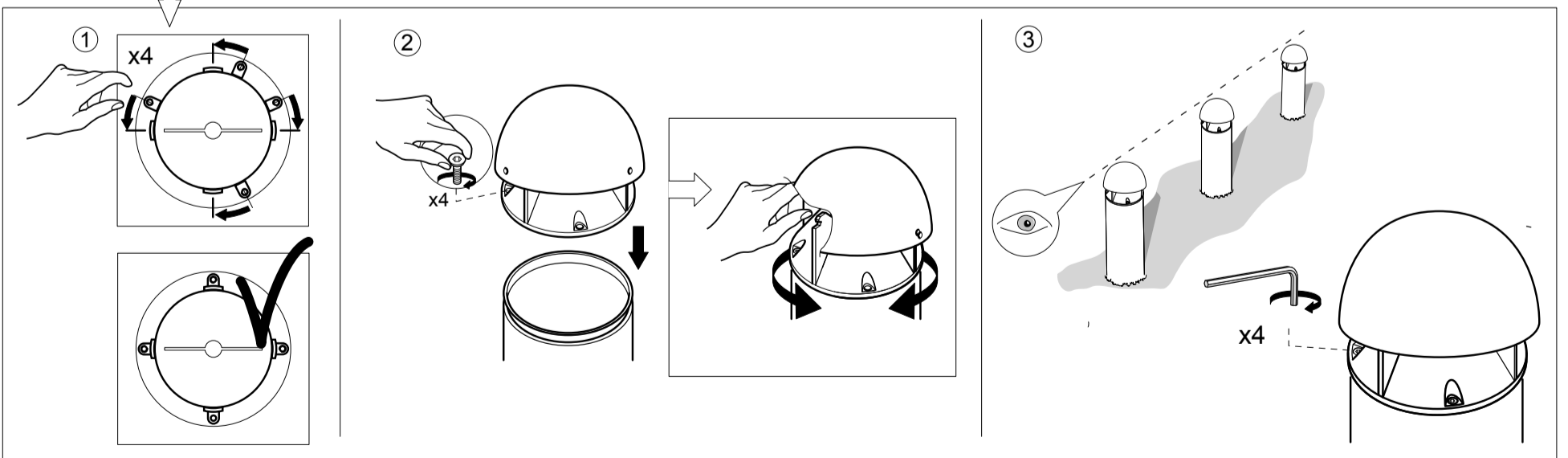
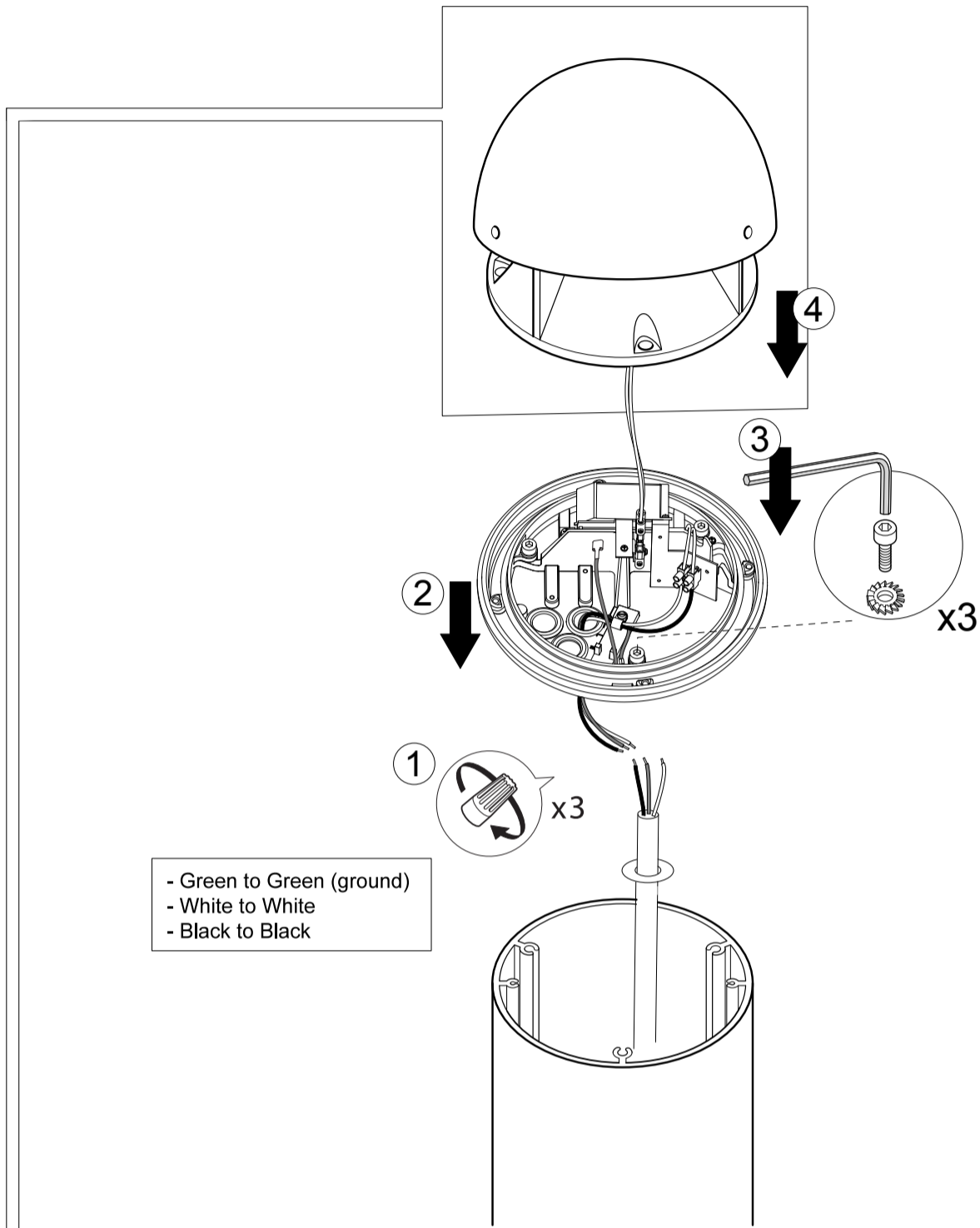
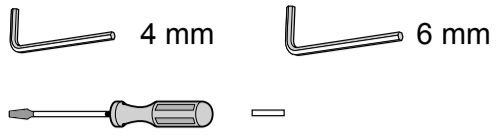
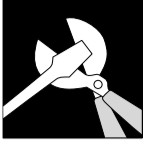
Wipe off dust with a dry, soft cloth. Remove greasy spots etc. with a soft cloth dampened in lukewarm water (<122° F/ 50° C) with a mild detergent.

Warning: Scouring powder and similar substances will scratch surfaces.

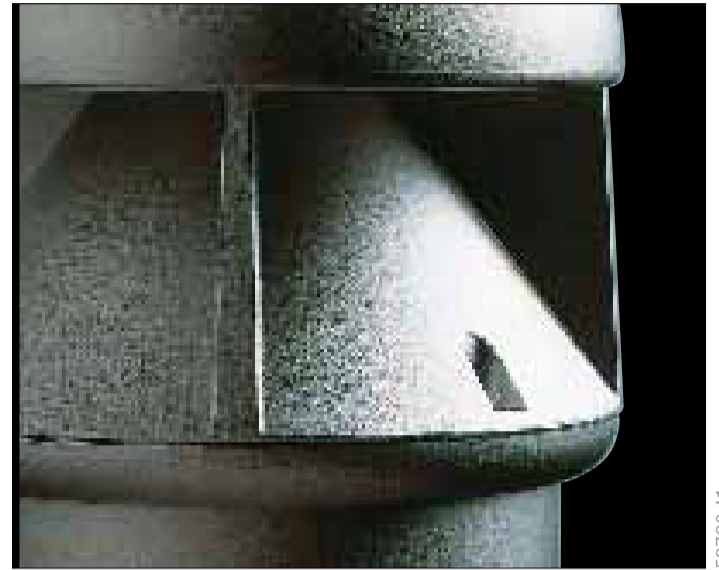
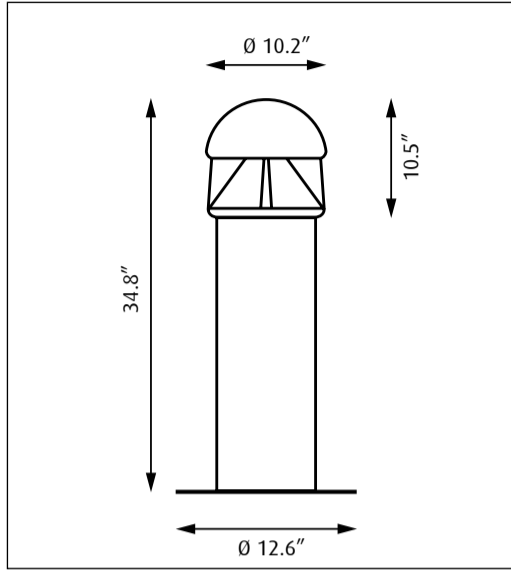
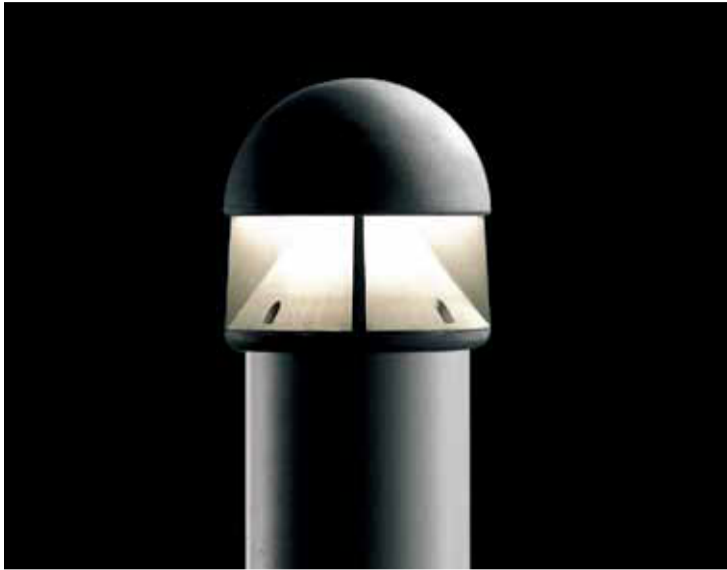
All installation is subject to local code and jurisdiction.

Consult a qualified electrician to ensure correct branch circuit conductor. The installer must ensure that the foundation is stable and can support the luminaire's weight.

The Installer must use proper means to secure the luminaire to the ground.



Design Dan Borgen Hasløv



59790-11

Light source	Voltage	Weight	Electric shock protection	Ingress protection
1/100W/MH/ED-17 MED.	120/277V	35 Lbs	Cl. I	IP65, Wet location

Recommended cleaning substances:

Wipe off dust with a dry, soft cloth. Remove greasy spots etc. with a soft cloth dampened in lukewarm water (<122° F/ 50° C) with a mild detergent.

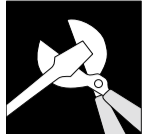
Warning: Scouring powder and similar substances will scratch surfaces.

All installation is subject to local code and jurisdiction.

Consult a qualified electrician to ensure correct branch circuit conductor.

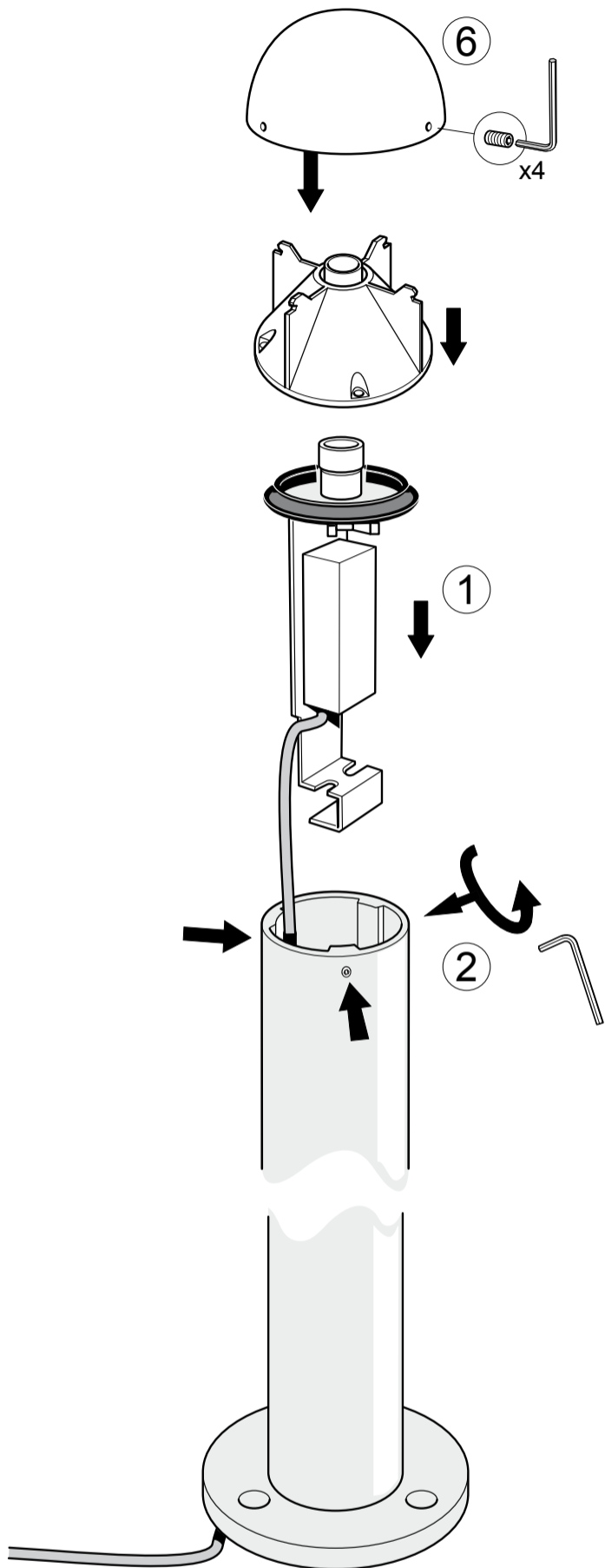
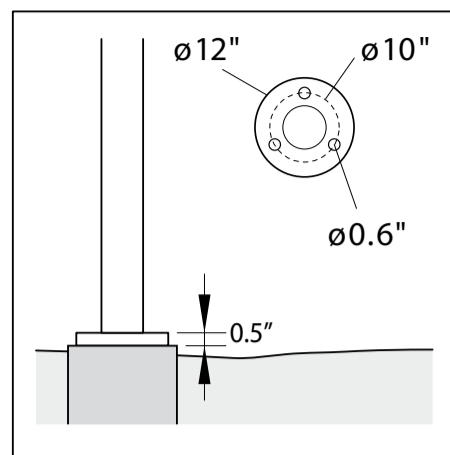
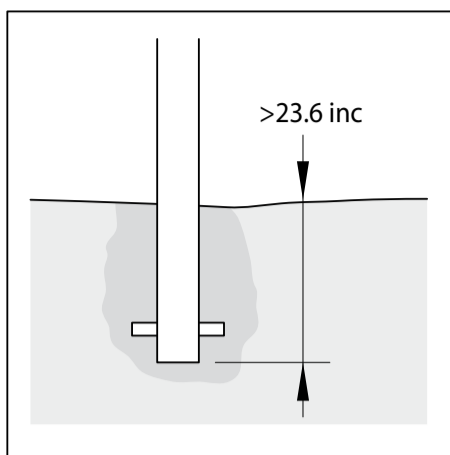
The installer must ensure that the foundation is stable and can support the luminaire's weight.

The installer must use proper means to secure the luminaire to the ground.

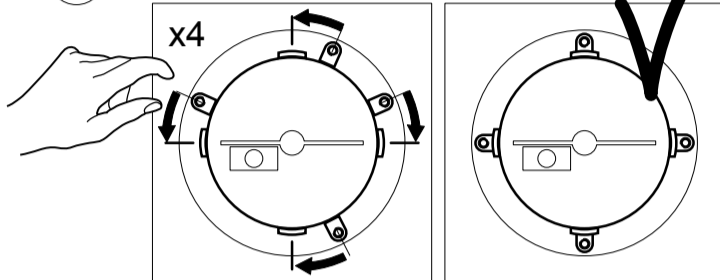


13 mm

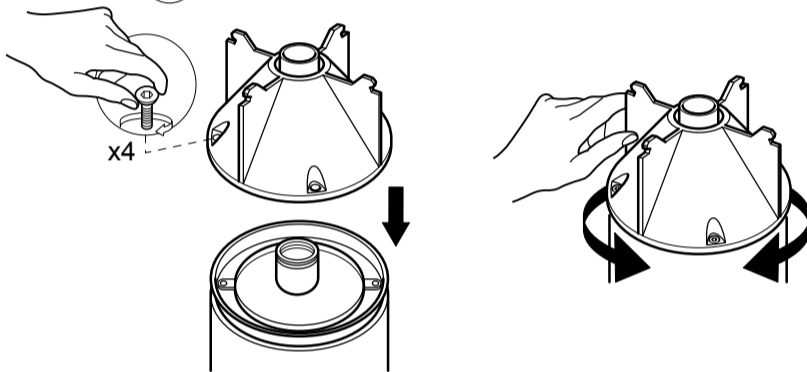
5 mm



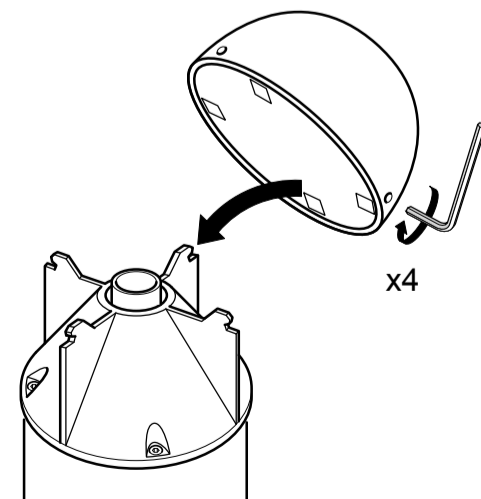
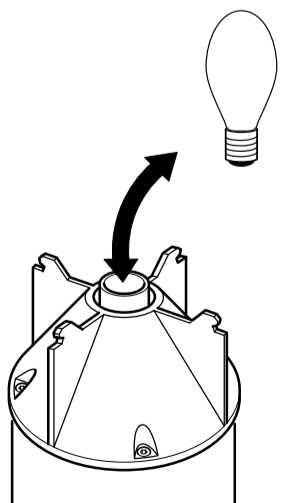
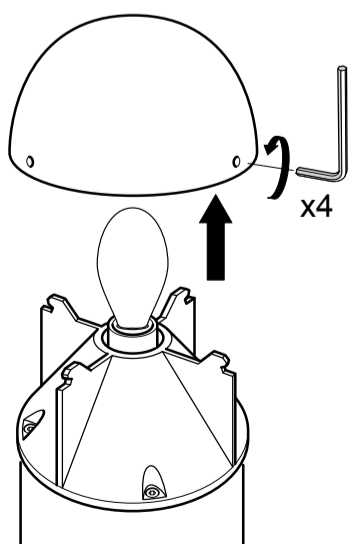
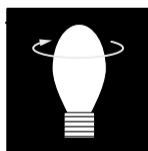
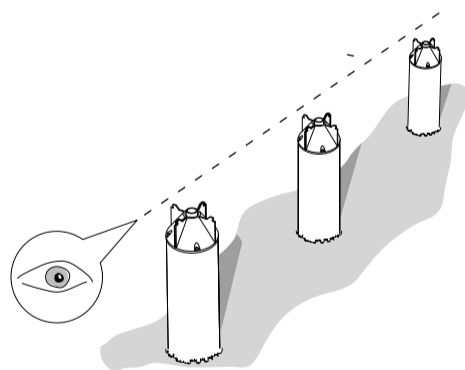
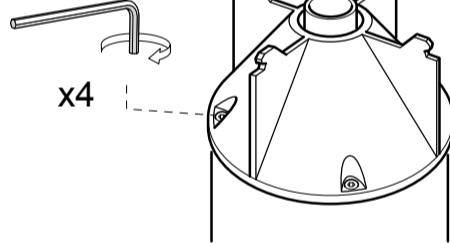
3



4



5

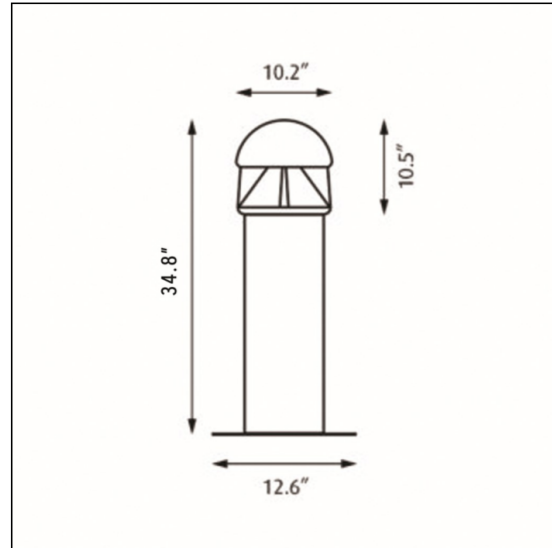


Waterfront

WAT-1-100W-MH

PRODUCT SPECIFICATION

Product description



Design Dan Borgen Hasløv

Concept The fixture emits 100% glare-free downward light. The light distribution is symmetric and soft. The four supports create an comfortable symmetric light pattern at ground level.

Finish Graphite grey or natural painted aluminum, powder coated.

Material Enclosure: Injection molded clear U.V. stabilized polycarbonate. Housing: Die cast aluminum. Top: Die cast aluminum. Post: Extruded aluminum. Base plate: Die cast aluminum.

Mounting Base plate dimension: 12.6" diameter. Base plate: Mounted to a concrete base with 3 anchor bolts.

Weight Max. 35 lbs.

Label cULus, Wet location. IBEW.

Product Code	Light source	Voltage	Finish
WAT-B	1/100W/MH/ED-17 medium	120/277V	GRAPH
	35W LED/3000K	120-277V	NAT PAINT ALU
	35W LED/4000K		

Specification notes

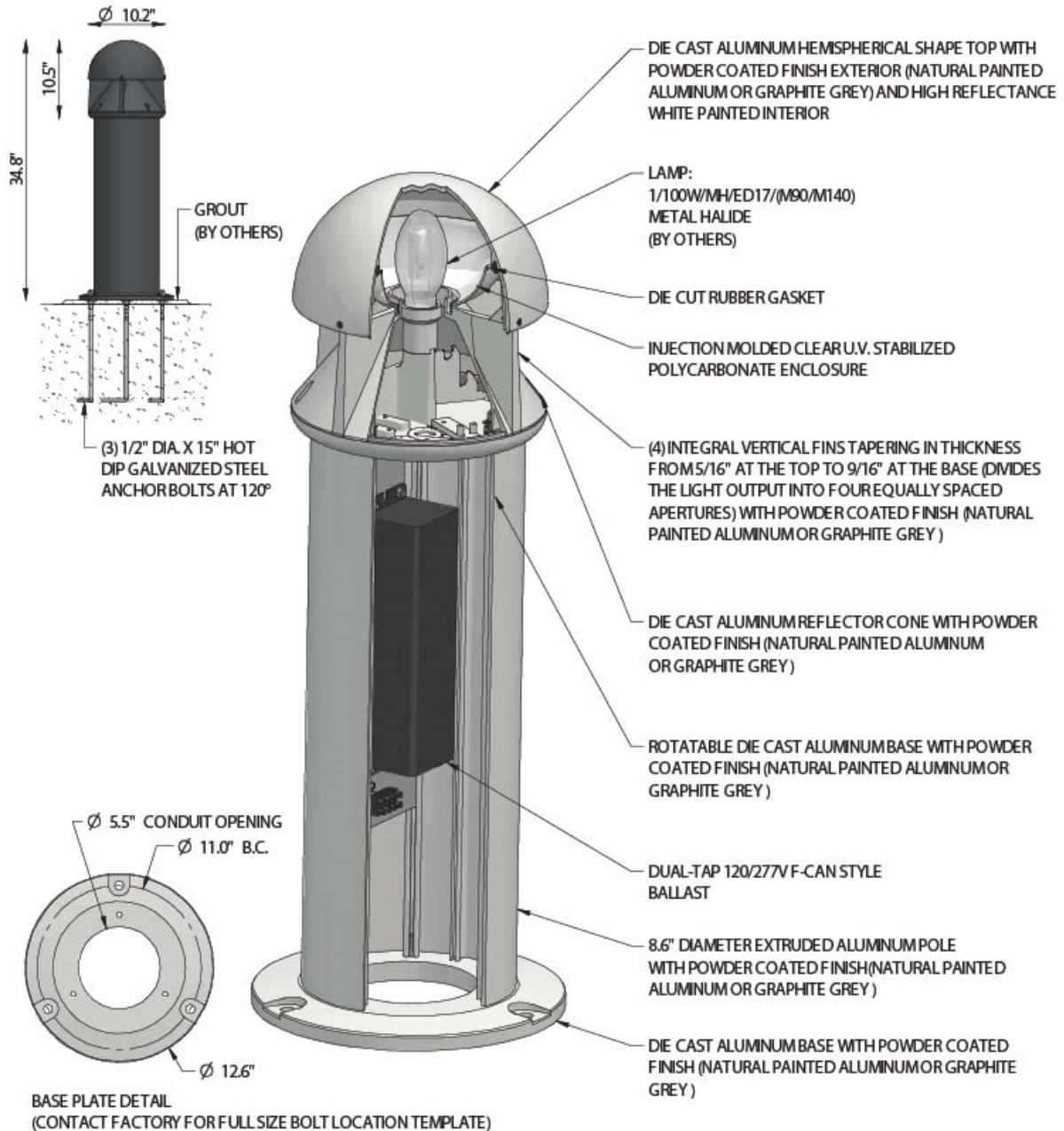
- a. MH variant provided with 120/277V F-can ballast to be mounted in the pole.
- b. LED variants provided with 120-277V electronic driver.

Waterfront

WAT-1-100W-MH

PRODUCT SPECIFICATION

Material description



Waterfront

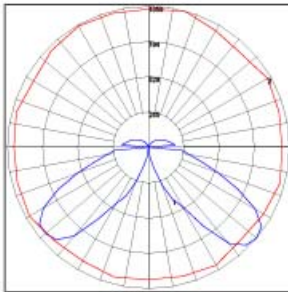
WAT-1-100W-MH

PRODUCT SPECIFICATION

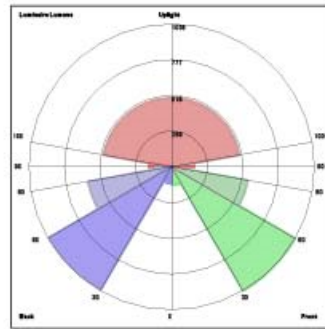
Light Measurements

Photometric Report: WAT-1-100W-MH
 Report No: LP1047
 Poulsen Report No: WAT-1-100W-MH
 Luminaire: WATERFRONT
 Lamp: 1/100W/MH/ED-17
 Efficiency: 51%

Description: All data shown are per 8500 lumens. This report can be used for calculation on all versions listed below. Use only actual lumen data calculating.



Vertical Angle	Candela
0	0.0
5	39.0
15	186.6
25	447.0
35	703.0
45	980.8
55	980.8
65	677.0
75	355.8
90	0.0
120	104.1
150	34.7
180	0.0



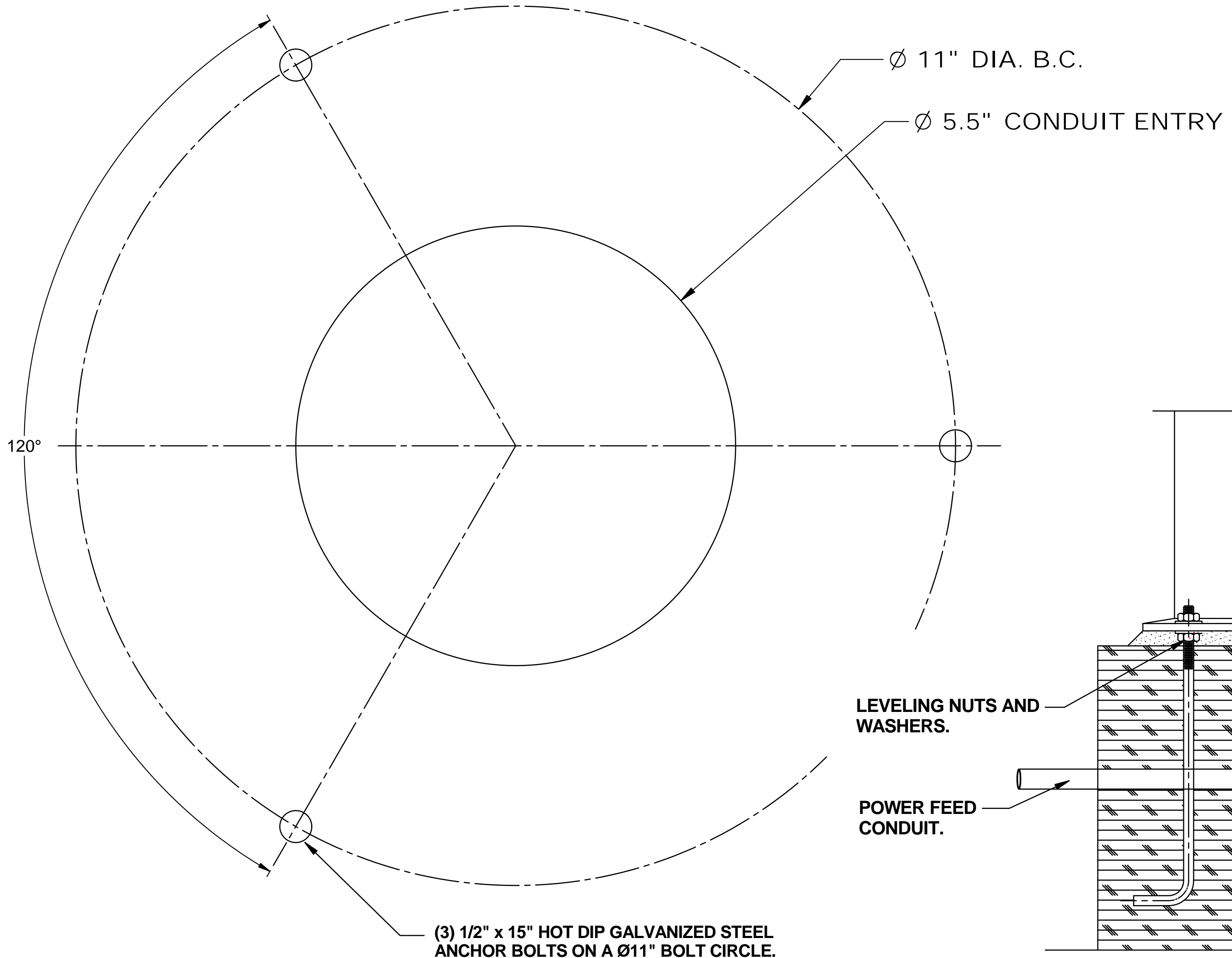
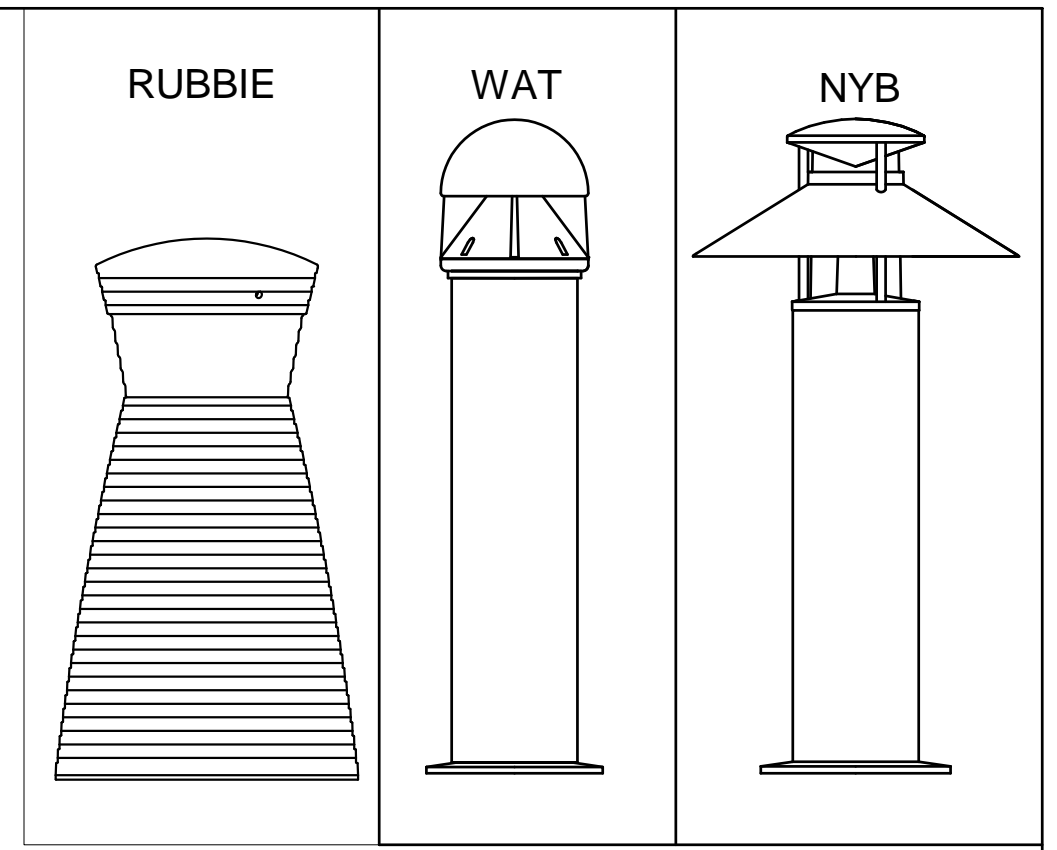
Zonal Lumen Summary

Zone	Lumens	% Lamp	% Fixture
0-20	55.39	0.70	1.30
0-30	246.12	2.90	5.60
0-40	680.14	8.00	15.60
0-60	2305.66	27.10	52.90
0-80	3476.83	40.90	79.70
0-90	3705.91	43.60	85.00
10-90	3701.91	43.60	84.90
20-40	624.76	7.40	14.30
20-50	1376.1	16.20	31.50
40-70	2346.8	27.60	53.80
60-80	1171.16	13.80	26.90
70-80	449.88	5.30	10.30
80-90	229.08	2.70	5.30
90-110	335.63	3.90	7.70
90-120	464.86	5.50	10.70
90-130	553.35	6.50	12.70
90-150	639.23	7.50	14.70
90-180	655.82	7.70	15.00
110-180	320.19	3.80	7.30
0-180	4361.72	51.30	100.00

LUMINAIRE CLASSIFICATION SYSTEM (LCS)

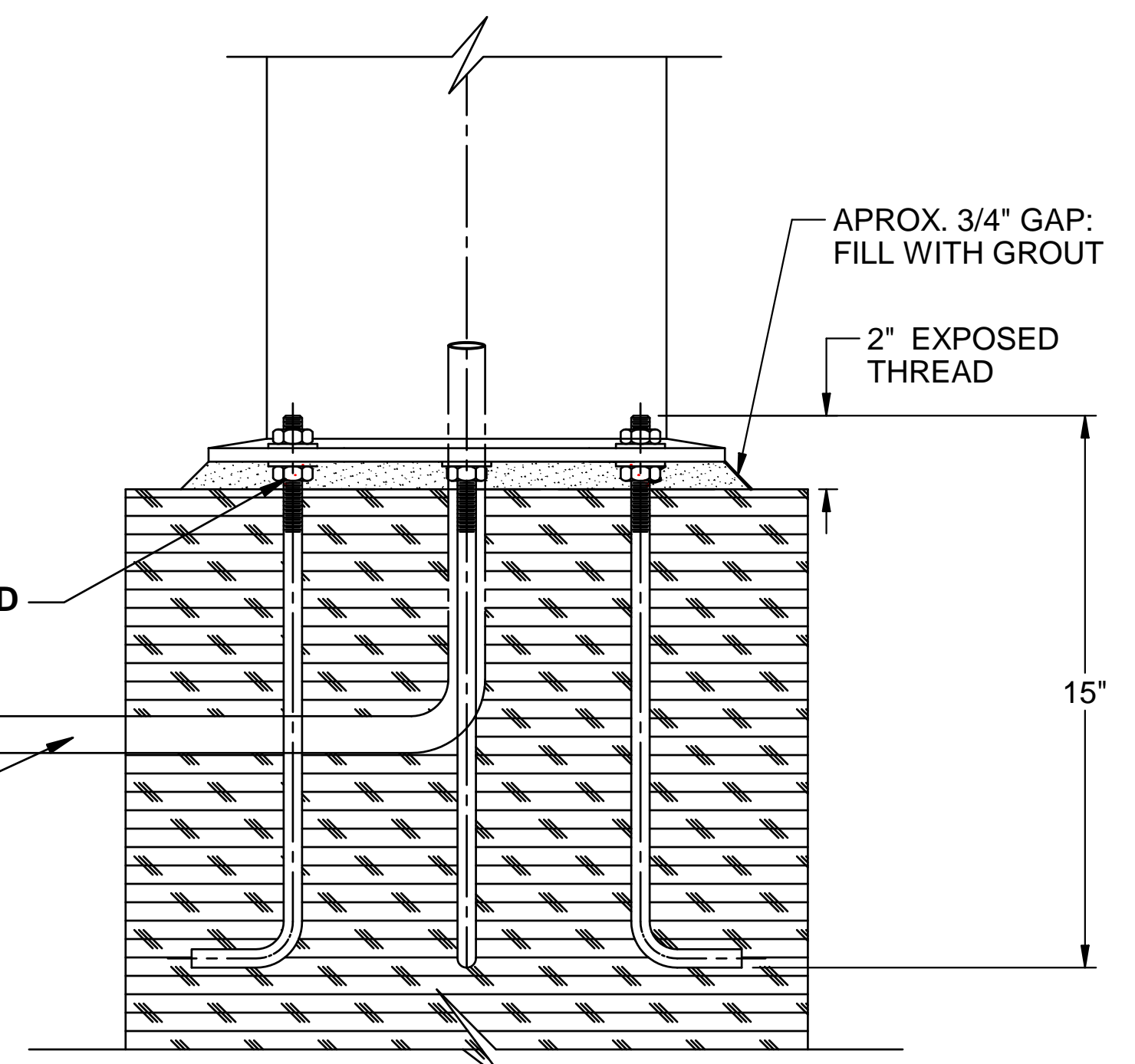
	Lumens	% Lamp	% Luminaire
FL - Front-Low (0-30)	130.0	1.5	3.0
FM - Front-Medium (30-60)	1035.5	12.2	23.7
FH - Front-High (60-80)	559.7	6.6	12.8
FVH - Front-Very High (80-90)	110.9	1.3	2.5
BL - Back-Low (0-30)	116.1	1.4	2.7
BM - Back-Medium (30-60)	1024.0	12.0	23.5
BH - Back-High (60-80)	611.5	7.2	14.0
BVH - Back-Very High (80-90)	118.2	1.4	2.7
UL - Uplight-Low (90-100)	160.8	1.9	3.7
UH - Uplight-High (100-180)	495.1	5.8	11.3
Total	4361.8	51.3	100.0
BUG Rating	B1-U3-G1		

ANCHOR BOLT TEMPLATE: RUBBIE, WATERFRONT AND NYHAVN BOLLARDS



LEVELING NUTS AND WASHERS.

POWER FEED CONDUIT.



MOUNTING DETAIL

NOTE:

1) FAXIMILE TRANSMISSION DISTORTS SCALE
DO NOT USE FAXED PRINTS AS TEMPLATES.

2) VERIFY BOLT PATTERN IS 1:1 AS SCALE MAY
DISTORT IN PRINTING PROCESS.

REV	BY	DATE	DESCRIPTION
00	CIM	09/02/07	SAP IMPLEMENT VER 00
01	DAN	4/23/14	ADD RUBBIE

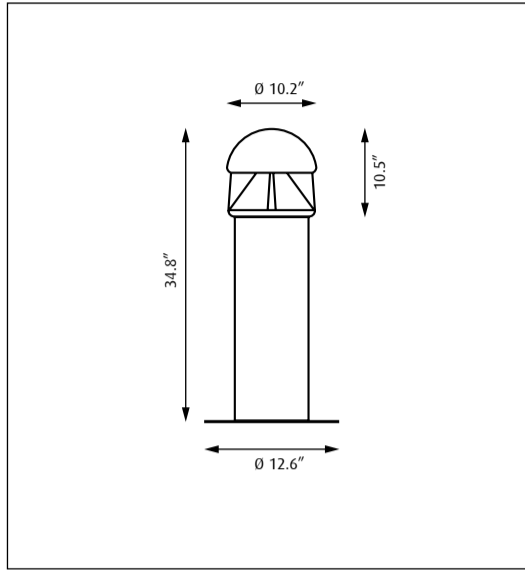
DWG. NO. **145-0012-000** VERSION: 01

**louis
poulsen**

3260 MERIDIAN PKWY
FT LAUDERDALE FL.
33331
PHONE: (954) 349 2525
FAX (954) 349 2550

Waterfront LED

Design Dan Borgen Haslov



59548-11

Light source	Voltage	Weight	Electric shock protection	Ingress protection
LED	Max 120-277V	35 Lbs	Cl. I	IP 65, Wet location

Recommended cleaning substances:

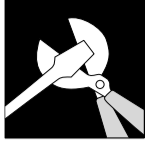
Wipe off dust with a dry, soft cloth. Remove greasy spots etc. with a soft cloth dampened in lukewarm water (<122° F/ 50° C) with a mild detergent.

Warning: Scouring powder and similar substances will scratch surfaces.

All installation is subject to local code and jurisdiction.

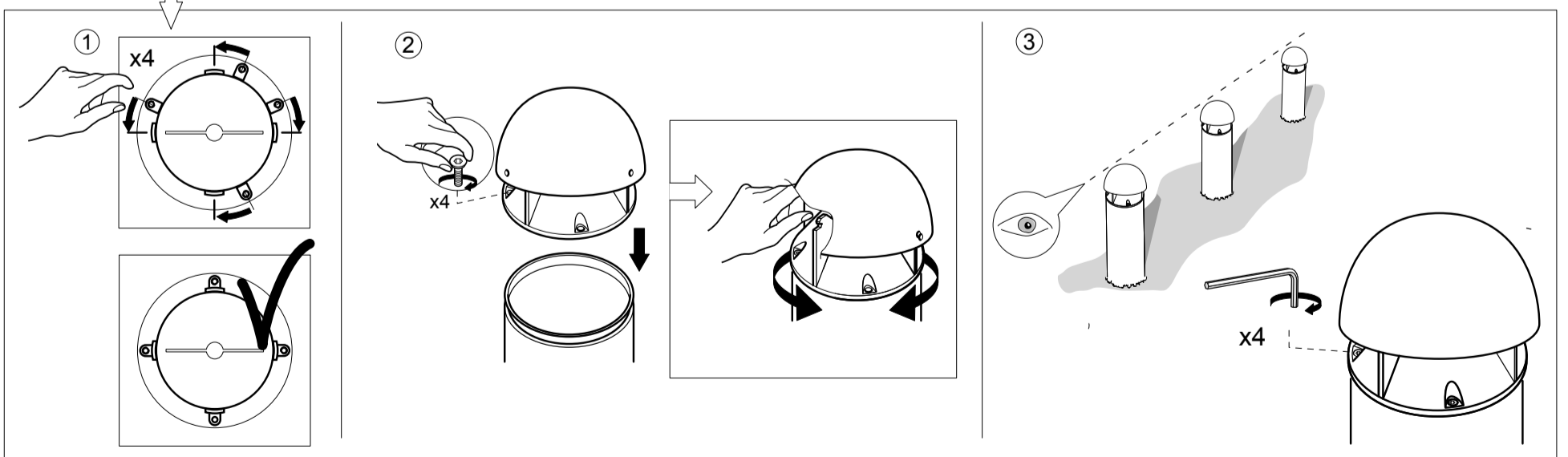
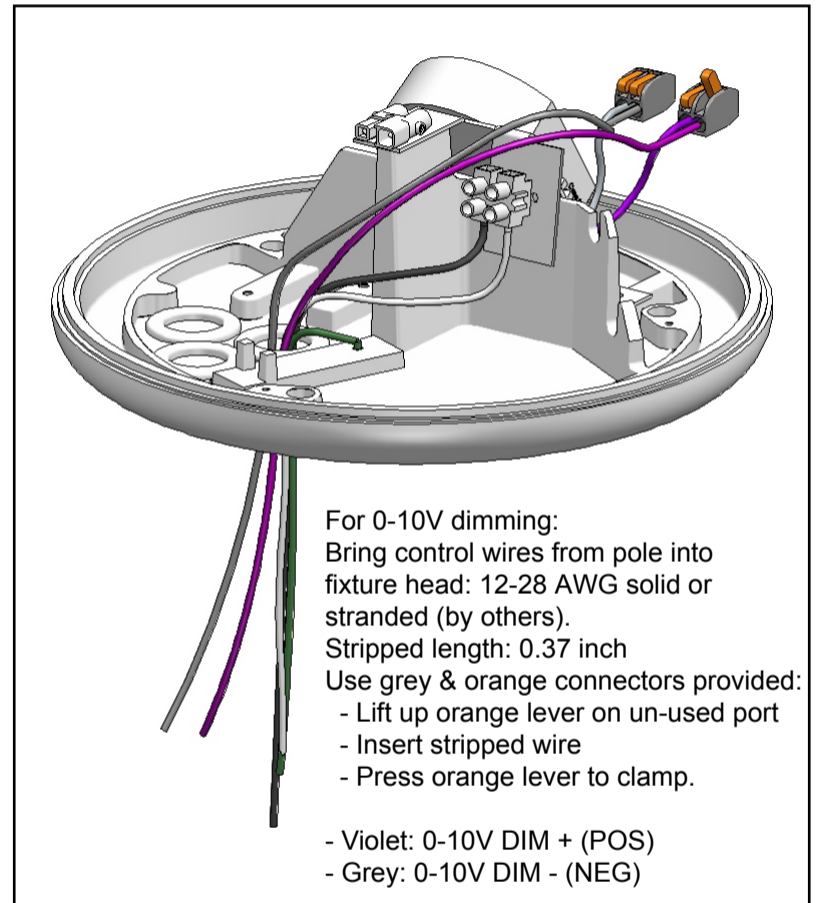
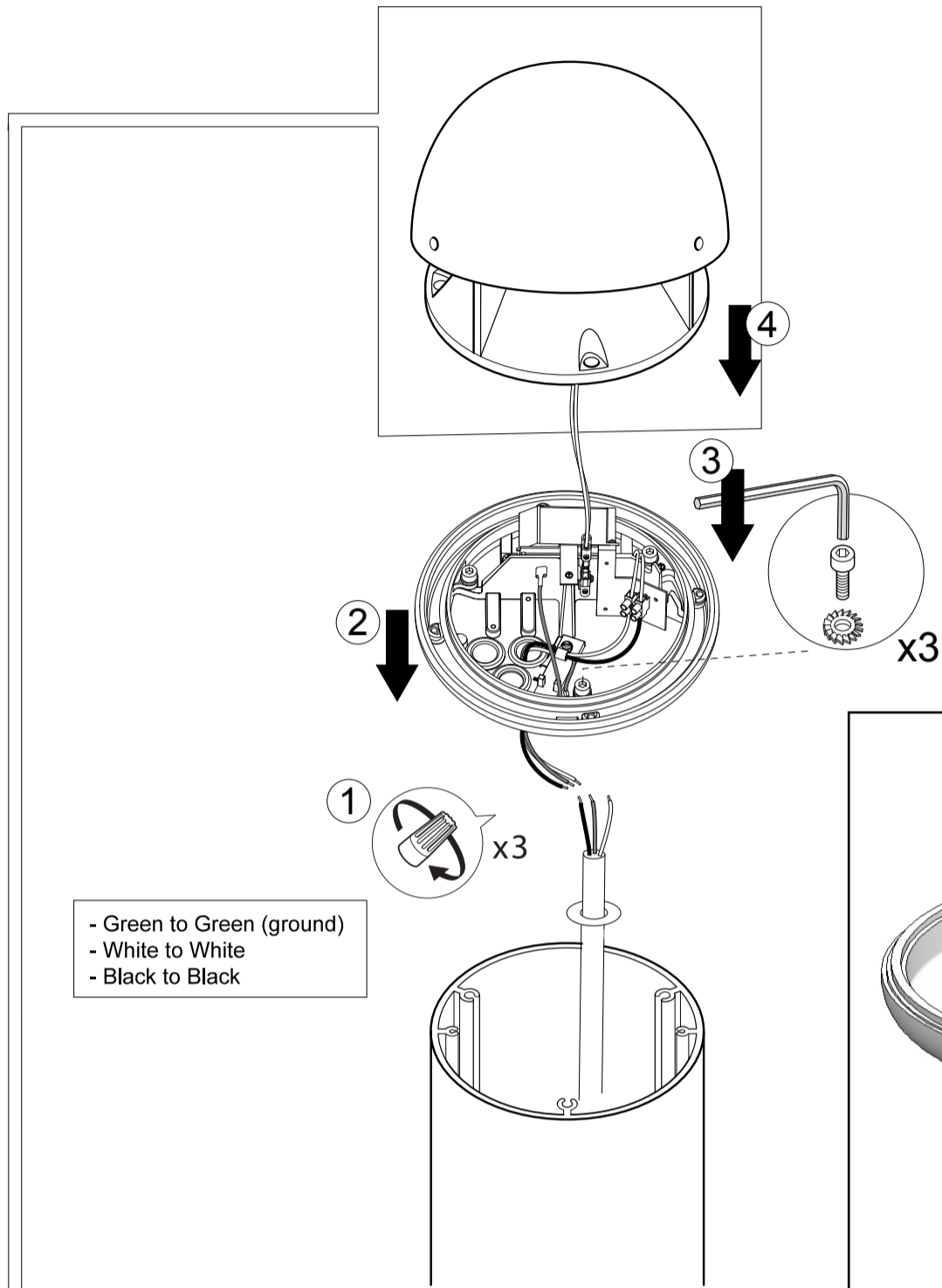
Consult a qualified electrician to ensure correct branch circuit conductor. The installer must ensure that the foundation is stable and can support the luminaire's weight.

The Installer must use proper means to secure the luminaire to the ground.



4 mm

6 mm

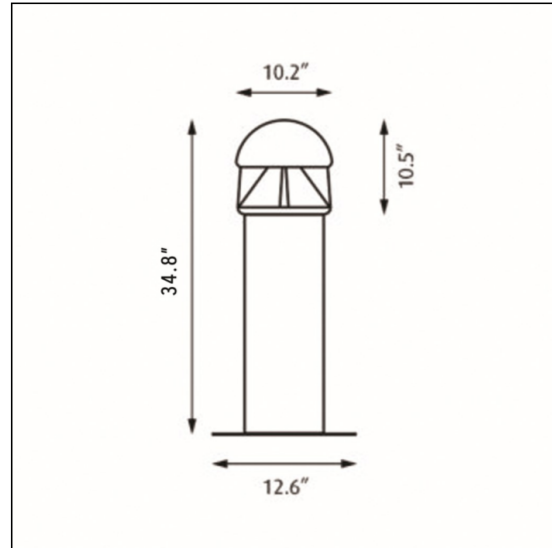


Waterfront

WAT-LED

PRODUCT SPECIFICATION

Product description



Design Dan Borgen Hasløv

Concept The fixture emits 100% glare-free downward light. The light distribution is symmetric and soft. The four supports create an comfortable symmetric light pattern at ground level.

Finish Graphite grey or natural painted aluminum, powder coated.

Material Enclosure: Injection molded clear U.V. stabilized polycarbonate. Housing: Die cast aluminum. Top: Die cast aluminum. Post: Extruded aluminum. Base plate: Die cast aluminum.

Mounting Base plate dimension: 12.6" diameter. Base plate: Mounted to a concrete base with 3 anchor bolts.

Weight Max. 35 lbs.

Label cULus, Wet location. IBEW.

Product Code	Light source	Voltage	Finish
WAT-B	1/100W/MH/ED-17 medium	120/277V	GRAPH
	35W LED/3000K	120-277V	NAT PAINT ALU
	35W LED/4000K		

Specification notes

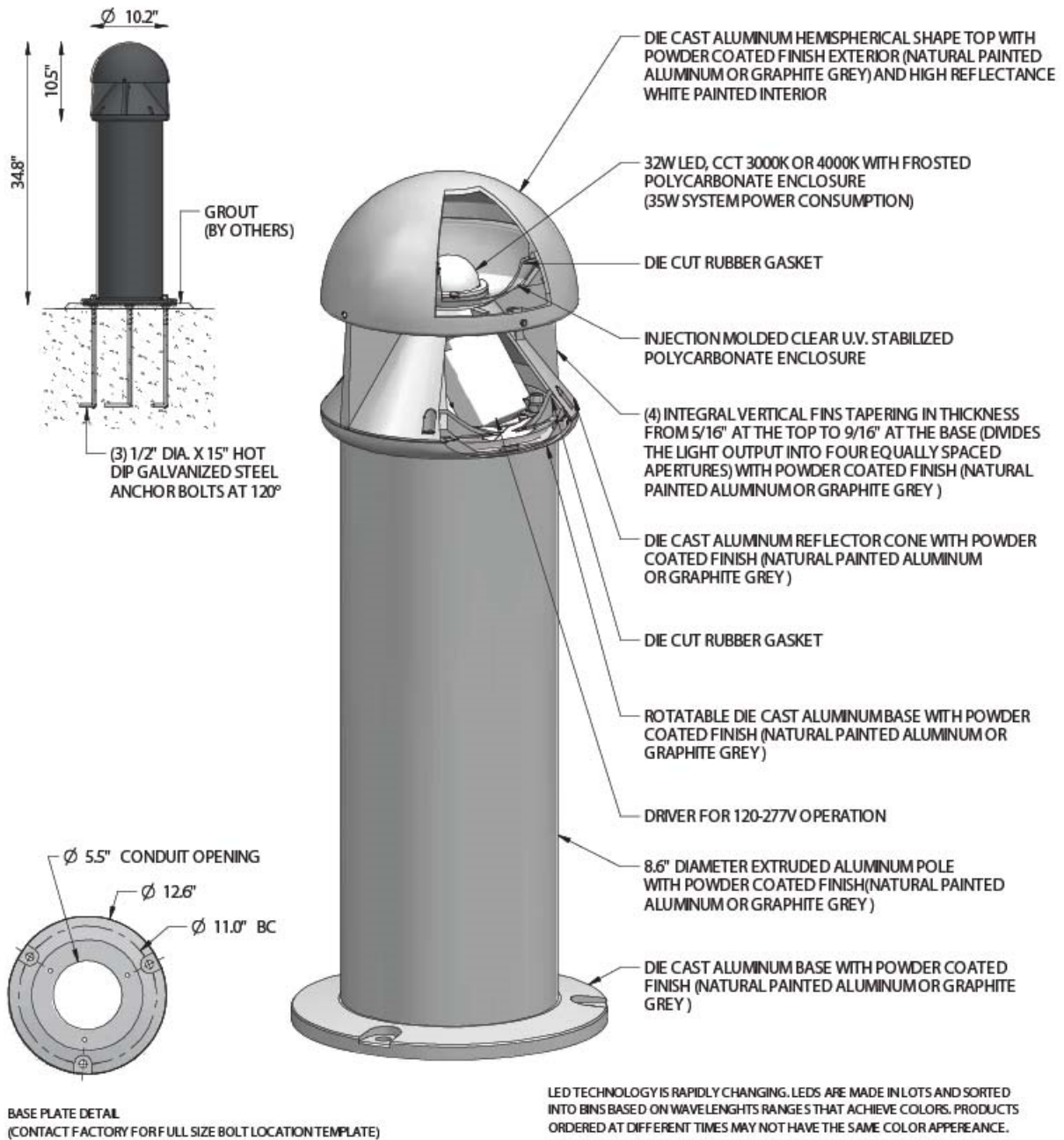
- a. MH variant provided with 120/277V F-can ballast to be mounted in the pole.
- b. LED variants provided with 120-277V electronic driver.

Waterfront

WAT-LED

PRODUCT SPECIFICATION

Material description



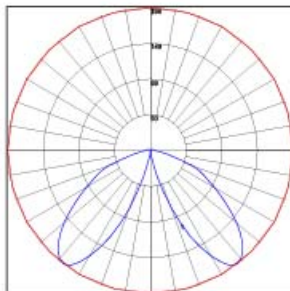
Waterfront

WAT-LED

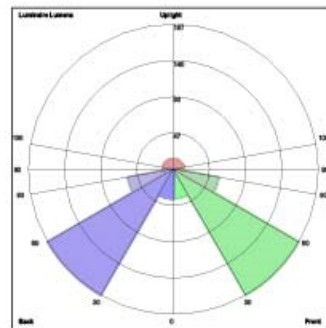
PRODUCT SPECIFICATION

Light Measurements

Photometric Report: WAT-35W-LED
 Report No: Louis Poulsen L8695A
 Poulsen Report No: WAT-35W-LED
 Luminaire: WATERFRONT
 Lamp: 35W/LED/4000K
 Description: All data shown are per 597 lumens. This report can be used for calculation on all versions listed below. Use only actual lumen data calculating.



Vertical Angle	Candela
0	0.0
5	4.4
15	38.2
25	108.3
35	194.8
45	180.7
55	128.8
65	82.2
75	31.2
90	6.8
120	2.9
150	1.0
180	0.0



LUMINAIRE CLASSIFICATION SYSTEM (LCS)

	Lumens	% Lamp	% Luminaire
FL - Front-Low (0-30)	37.3	6.2	6.2
FM - Front-Medium (30-60)	186.7	31.3	31.3
FH - Front-High (60-80)	59.2	9.9	9.9
FVH - Front-Very High (80-90)	5.8	0.9	0.9
BL - Back-Low (0-30)	37.3	6.2	6.2
BM - Back-Medium (30-60)	186.7	31.3	31.3
BH - Back-High (60-80)	59.2	9.9	9.9
BVH - Back-Very High (80-90)	5.8	0.9	0.9
UL - Uplight-Low (90-100)	6.3	1.1	1.1
UH - Uplight-High (100-180)	13.1	2.2	2.2
Total	597.0	99.9	100.0
BUG Rating	B0-U2-G0		

Zonal Lumen Summary

Zone	Lumens	% Lamp	% Fixture
0-20	13.48	2.30	2.30
0-30	74.58	12.50	12.50
0-40	194.24	32.50	32.50
0-60	447.88	75.00	75.00
0-80	566.15	94.80	94.90
0-90	577.35	96.70	96.70
10-90	576.68	96.60	96.60
20-40	180.75	30.30	30.30
20-50	318.97	53.40	53.40
40-70	335.33	56.20	56.20
60-80	118.28	19.80	19.80
70-80	36.59	6.10	6.10
80-90	11.20	1.90	1.90
90-110	10.98	1.80	1.80
90-120	14.31	2.40	2.40
90-130	16.63	2.80	2.80
90-150	18.86	3.20	3.20
90-180	19.44	3.30	3.30
110-180	6.46	1.40	1.40
0-180	596.79	100.00	100.00