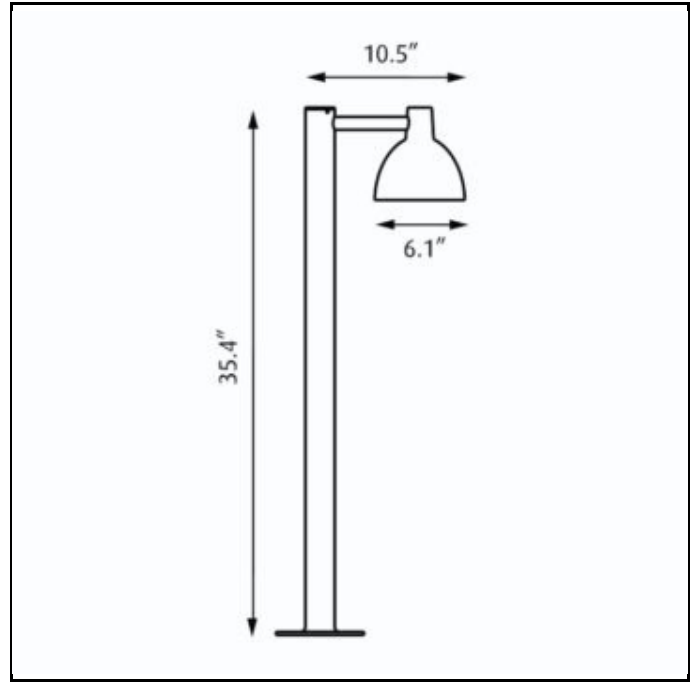


# Toldbod 6.1 Bollard



**Design** Louis Poulsen Lighting A/S

**Concept** The light is directed 100% downwards and the shade has a matte white painted interior emitting a soft, diffused, comfortable light.

**Finish** Black or natural painted aluminum, powder coated.

**Material** Shield: Tempered sand blasted glass. Luminaire head: Die cast aluminum. Post: Extruded aluminum. Base plate: Aluminum.

**Mounting** Base plate dimension: 5.9" diameter. Base plate: Mounted to a concrete base with 3 anchor bolts.

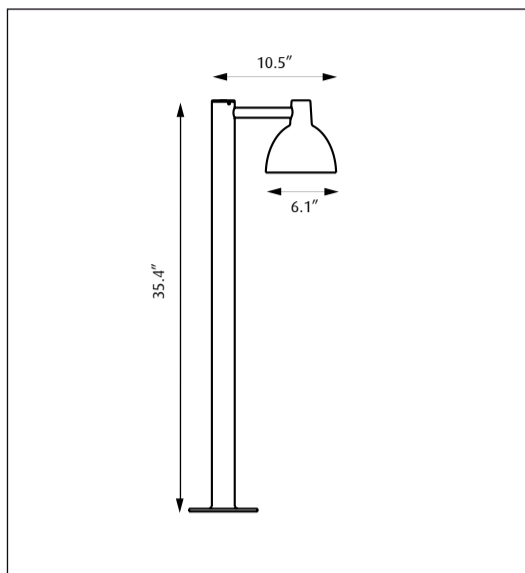
**Weight** Max. 4.4 lbs.

**Label** cULus, Wet location. IBEW.

Product Code	Light source	Voltage	Finish
TOB-6.1	1/40W/G16.5/IF candelabra	120V	BLK NAT PAINT ALU

# Toldbod Bollard

Design Louis Poulsen Lighting A/S



51593-11

Light source	Voltage	Weight	Electric shock protection	Ingress protection
<b>1/40W/G16.5/IF candelabra</b>	<b>120-277V</b>	<b>4.4 Lbs</b>	<b>Cl. I, Wet location</b>	<b>IP 44, Grounded</b>

**Recommended cleaning substances:**

Wipe off dust with a dry, soft cloth. Remove greasy spots etc. with a soft cloth dampened in lukewarm water (<122° F/ 50° C) with a mild detergent.

**Warning:** Scouring powder and similar substances will scratch surfaces.

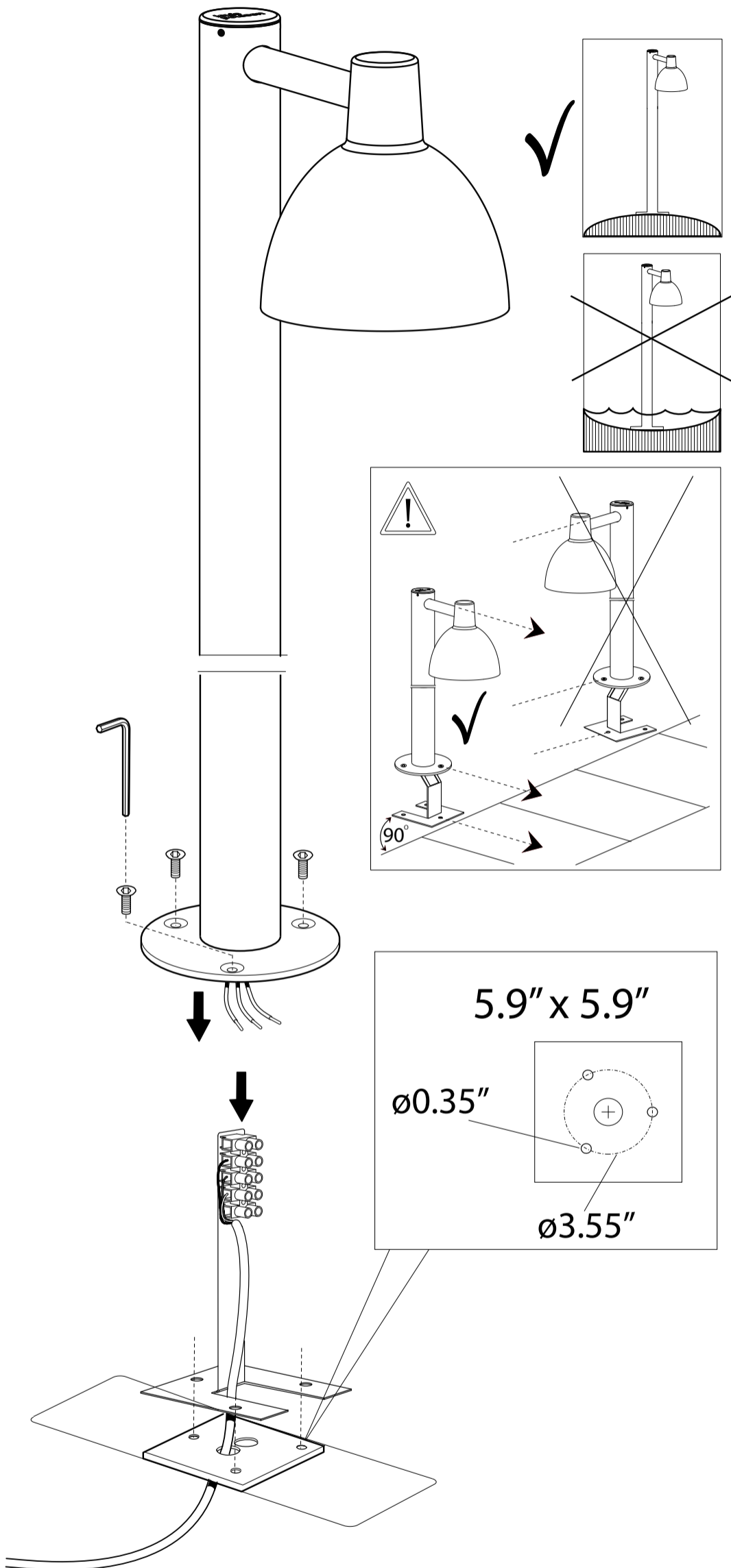
All installation is subject to local code and jurisdiction. Consult a qualified electrician to ensure correct branch circuit conductor. The installer must ensure that the ceiling can support the luminaire's weight. The installer must if necessary reinforce the ceiling structure by adequate means.



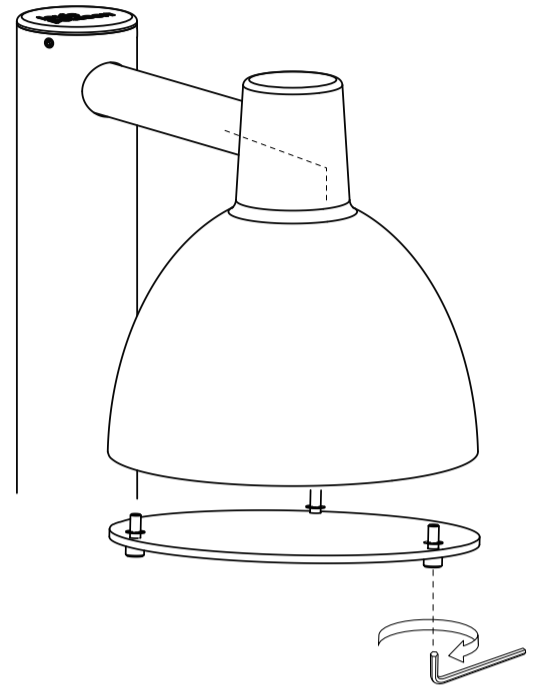
3 mm  
5 mm



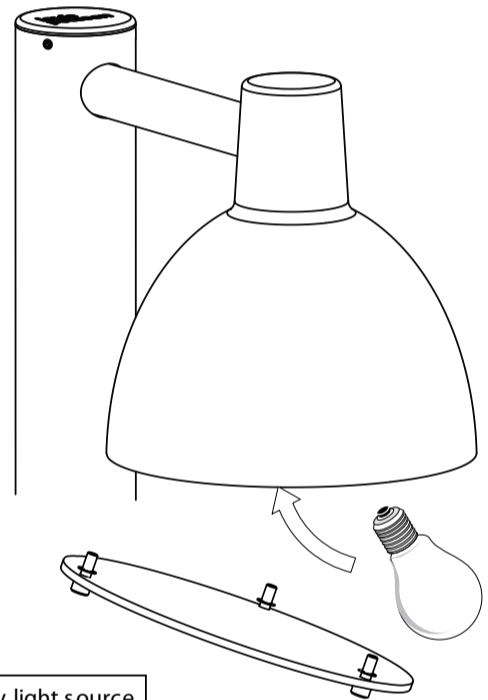
51593-I1




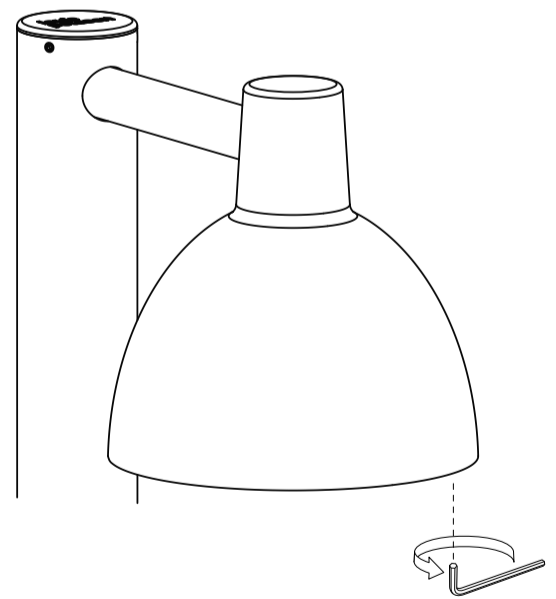
1



2



 Use only light source in accordance to the lamp R eplacement label on the luminaire



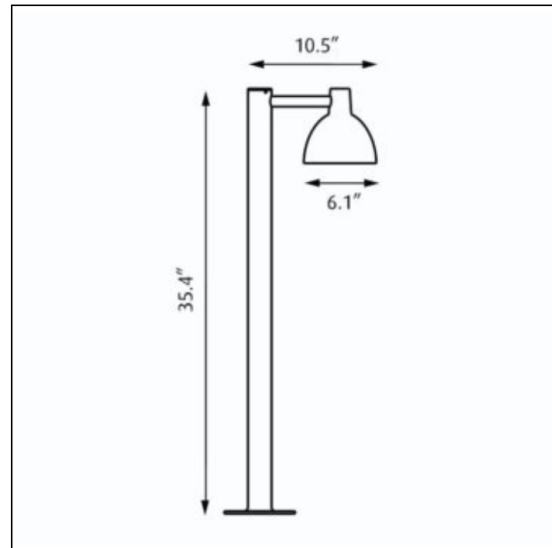
3

# Tolbod 6.1 Bollard

TOB-6\_1

PRODUCT SPECIFICATION

## Product description



**Design** Louis Poulsen Lighting A/S

**Concept** The light is directed 100% downwards and the shade has a matte white painted interior emitting a soft, diffused, comfortable light.

**Finish** Black or natural painted aluminum, powder coated.

**Material** Shield: Tempered sand blasted glass. Luminaire head: Die cast aluminum. Post: Extruded aluminum. Base plate: Aluminum.

**Mounting** Base plate dimension: 5.9" diameter. Base plate: Mounted to a concrete base with 3 anchor bolts.

**Weight** Max. 4.4 lbs.

**Label** cULus, Wet location. IBEW.

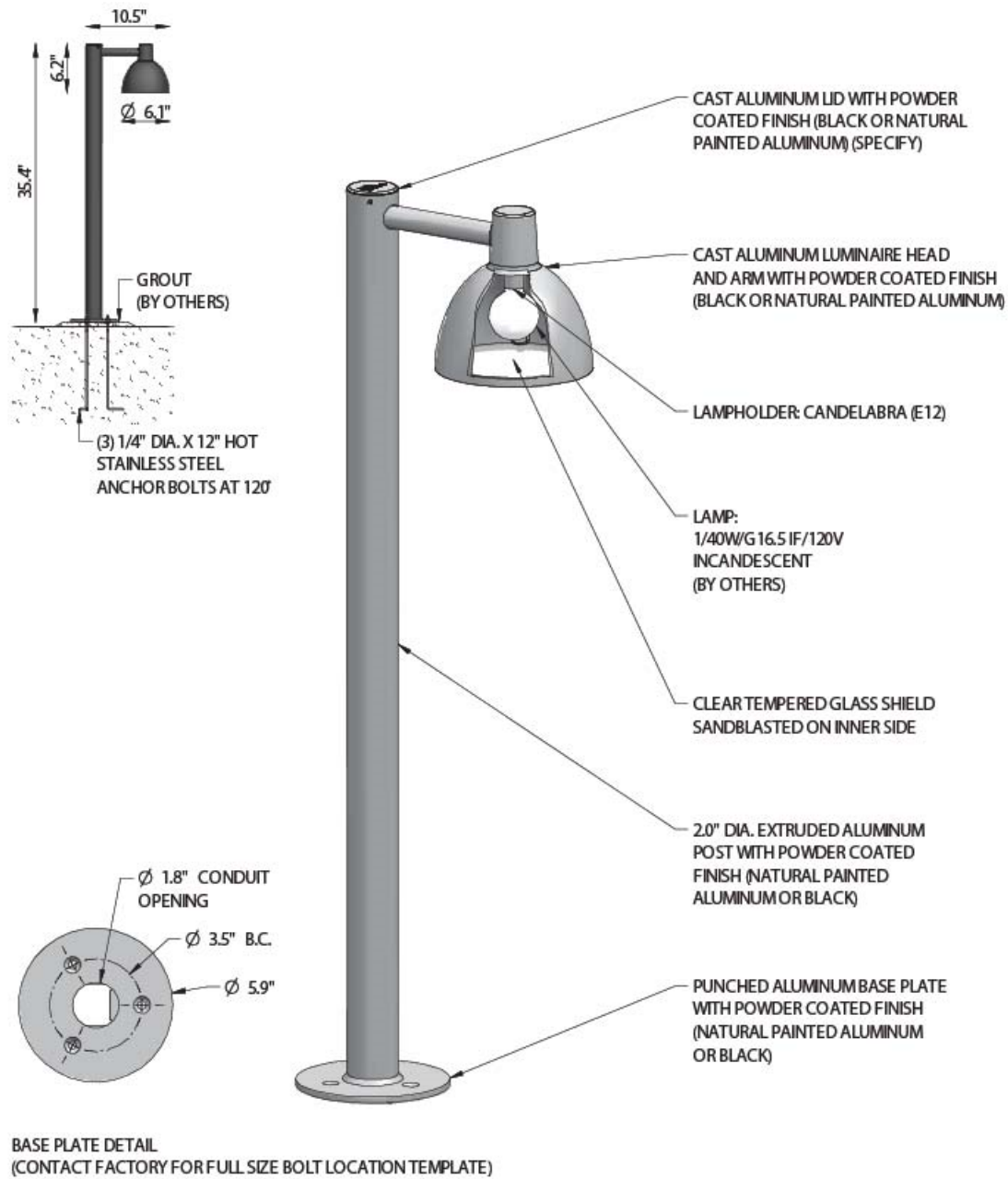
Product Code	Light source	Voltage	Finish
TOB-6.1	1/40W/G16.5/IF candelabra	120V	BLK NAT PAINT ALU

# Tolddod 6.1 Bollard

TOB-6\_1

PRODUCT SPECIFICATION

## Material description



# Tolbod 6.1 Bollard

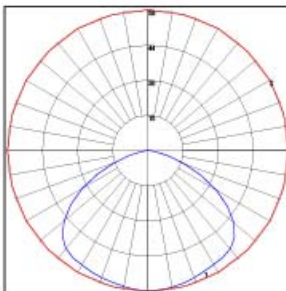
TOB-6\_1

PRODUCT SPECIFICATION

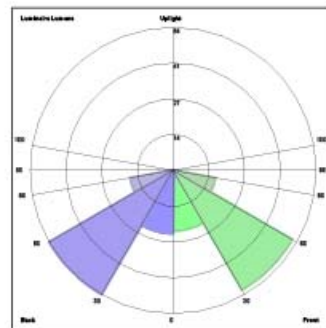
## Light Measurements

Photometric Report: TOB-6.1-1-40W-INC  
 Report No: LP2194  
 Poulsen Report No: TOB-6.1-1-40W-INC  
 Luminaire: TOLBOD 6.1 BOLLARD  
 Lamp: 1/40W/INC/G16.5  
 Efficiency: 67%

Description: All data shown are per 280 lumens. This report can be used for calculation on all versions listed below. Use only actual lumen data calculating.



Vertical Angle	Candela
0	59.3
5	59.1
15	57.9
25	56.1
35	55.0
45	51.5
55	40.9
65	24.5
75	9.3
90	0.0
120	0.0
150	0.0
180	0.0



### Zonal Lumen Summary

Zone	Lumens	% Lamp	% Fixture
0-20	21.50	7.70	11.40
0-30	46.93	16.80	24.90
0-40	80.57	28.80	42.70
0-60	153.86	55.00	81.60
0-80	186.74	66.70	99.00
0-90	188.49	67.30	100.00
10-90	182.98	65.30	97.10
20-40	59.07	21.10	31.30
20-50	97.45	34.80	51.70
40-70	96.50	34.50	51.20
60-80	32.88	11.70	17.40
70-80	9.68	3.50	5.10
80-90	1.75	0.60	0.90
90-110	0.00	0.00	0.00
90-120	0.00	0.00	0.00
90-130	0.00	0.00	0.00
90-150	0.01	0.00	0.00
90-180	0.05	0.00	0.00
110-180	0.05	0.00	0.00
0-180	188.54	67.30	100.00

### LUMINAIRE CLASSIFICATION SYSTEM (LCS)

	Lumens	% Lamp	% Luminaire
FL - Front-Low (0-30)	23.0	8.2	12.2
FM - Front-Medium (30-60)	52.5	18.7	27.8
FH - Front-High (60-90)	16.3	5.8	8.7
FVH - Front-Very High (80-90)	0.9	0.3	0.5
BL - Back-Low (0-30)	24.0	8.6	12.7
BM - Back-Medium (30-60)	54.5	19.5	28.9
BH - Back-High (60-90)	16.6	5.9	8.8
BVH - Back-Very High (80-90)	0.8	0.3	0.4
UL - Uplight-Low (90-100)	0.0	0.0	0.0
UH - Uplight-High (100-180)	< 0.05	0.0	0.0
<b>Total</b>	<b>188.6</b>	<b>67.3</b>	<b>100.0</b>
<b>BUG Rating</b>	<b>B0-U1-G0</b>		