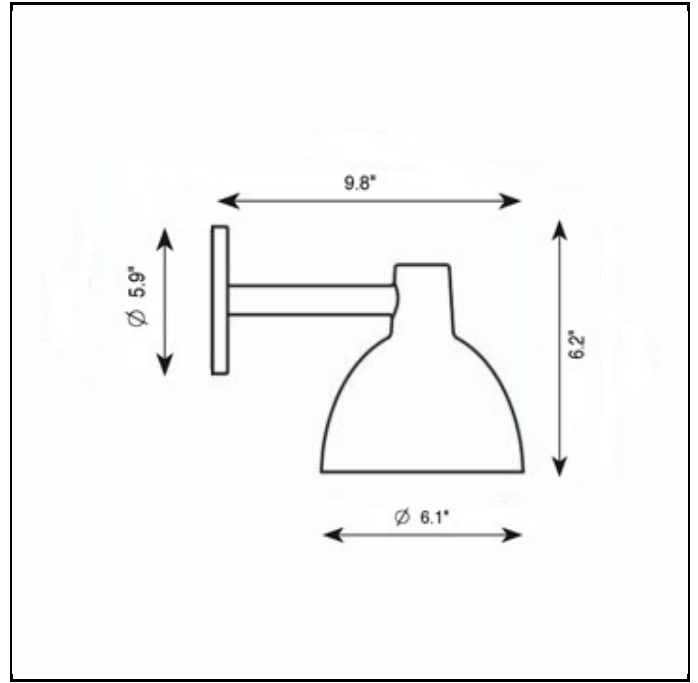


Toldbod 6.1 Wall



- Design** Louis Poulsen Lighting A/S
- Concept** The light is directed 100% downwards and the shade has a matte white painted interior emitting a soft, diffused, comfortable light.
- Finish** Black or natural painted aluminum, powder coated.
- Material** Shield: Tempered sand blasted glass. Wall plate: Die cast aluminum. Luminaire head: Die cast aluminum. Arm: Extruded aluminum.
- Mounting** Surface: Mounted directly to finished surface over a recessed 4" octagonal junction box.
- Weight** Max. 3.5 lbs.
- Label** cULus, Wet location. IBEW.

Product Code	Light source	Voltage	Finish
TOW-6.1	1/40W/G16.5/IF candelabra	120V	BLK NAT PAINT ALU

Toldbod 6.1 Wall

TOW-6-1

PRODUCT SPECIFICATION

Product description

Weblink: 2534

Design: Louis Poulsen Lighting A/S

Light Concept: The light is directed 100% downwards and the shade has a matte white painted interior emitting a soft, diffused, comfortable light.

Finish: Black or natural painted aluminum, powder coated.

Material: Shield: Tempered sand blasted glass. Wall plate: Die cast aluminum. Luminaire head: Die cast aluminum. Arm: Extruded aluminum.

Mounting: Surface: Mounted directly to finished surface over a recessed 4" octagonal junction box.

Weight: Max. 3.5 lbs.

Label: cULus, Wet location. IBEW.



Product code	Light source	Voltage	Finish
TOW-6.1	1/40W/G16.5/IF candelabra	120V	BLK NAT PAINT ALU

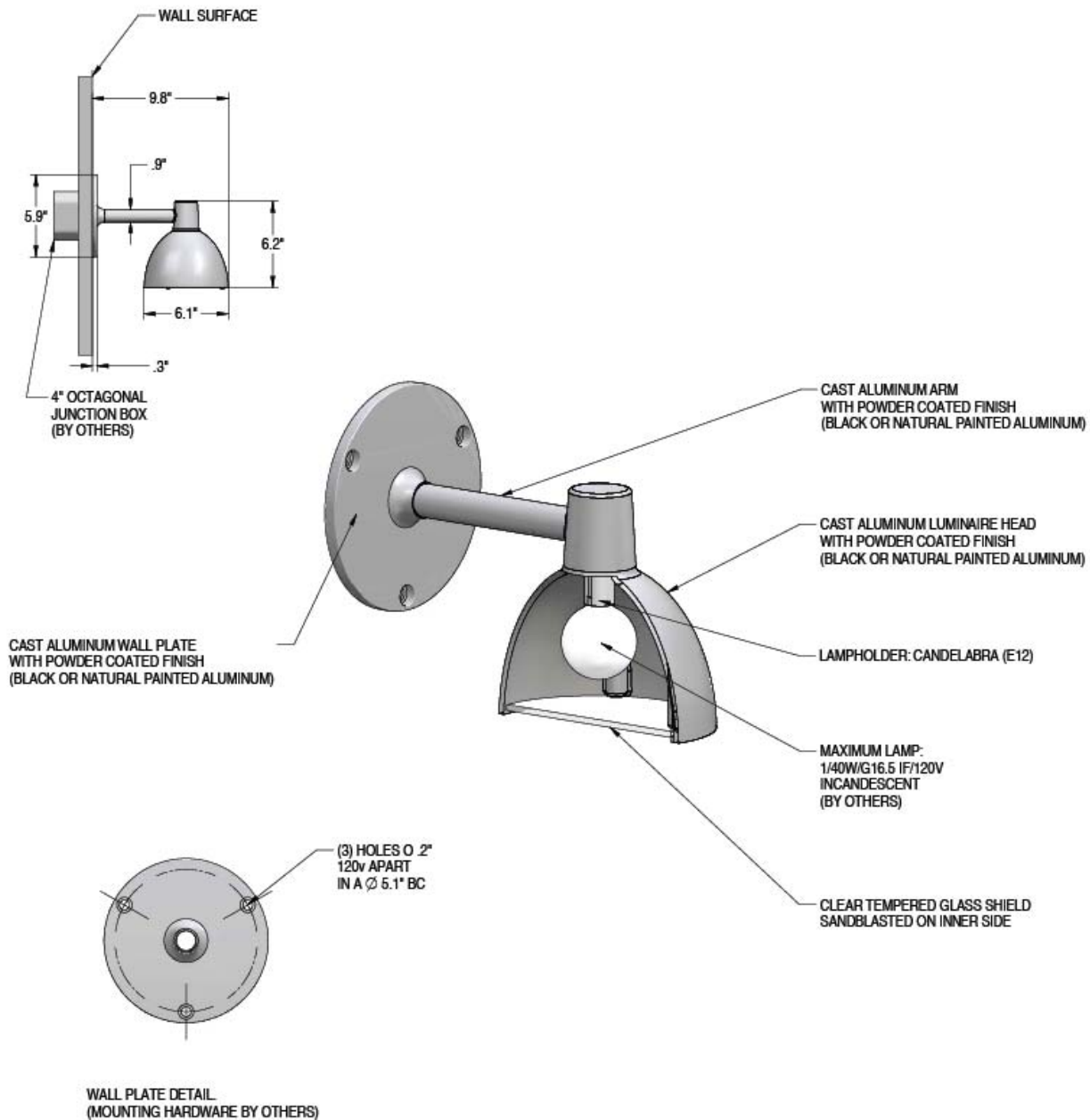
I. The comparable EU version has the following classification: Ingress Protection Code: IP44.

Toldbod 6.1 Wall

TOW-6-1

PRODUCT SPECIFICATION

Material description



Toldbod 6.1 Wall

TOW-6-1

PRODUCT SPECIFICATION

Light measurements

Photometric Report: TOLDBOD 6.1" BOLLARD.IES

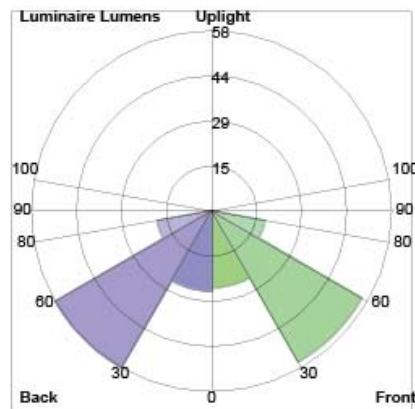
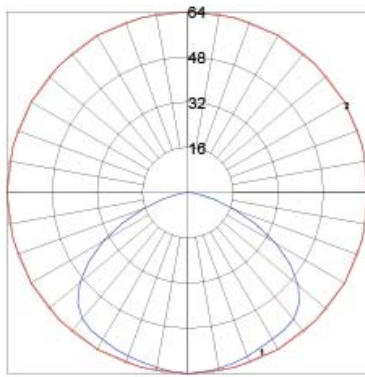
Report No.: LP2194

Poulsen Report No.: TOLDBOD 6.1" BOLLARD.IES

Luminaire: TOLDBOD 6.1" BOLLARD

Lamp: 40W G16.5 IF

Description: All data shown are per 300 lumens. This report can be used for calculation on all versions listed below. Use only actual lumen data calculating.



Candlepower Distribution

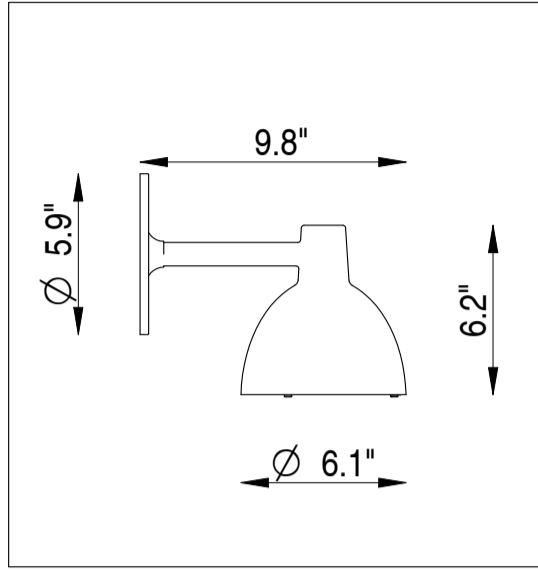
Vertical Angle	Candela
0	63.5
5	63.3
10	62.6
25	60.1
40	57.8
55	43.8
70	17.6
85	1.6
90	0.0
120	0.0
150	0.0
180	0.0

LUMINAIRE CLASSIFICATION SYSTEM (LCS)

	Lumens	% Lamp	% Luminaire
FL - Front-Low (0-30)	24.6	8.2	12.2
FM - Front-Medium (30-60)	56.2	18.7	27.8
FH - Front-High (60-80)	17.5	5.8	8.7
FVH - Front-Very High (80-90)	1.0	0.3	0.5
BL - Back-Low (0-30)	25.7	8.6	12.7
BM - Back-Medium (30-60)	58.4	19.5	28.9
BH - Back-High (60-80)	17.7	5.9	8.8
BVH - Back-Very High (80-90)	0.9	0.3	0.4
UL - Uplight-Low (90-100)	0.0	0.0	0.0
UH - Uplight-High (100-180)	0.1	0.0	0.0
Total	202.1	67.3	100.0
BUG Rating	B0-U1-G0		

Toldbod 6.1"

Design Louis Poulsen Lighting A/S



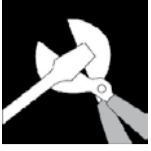
Light source	Voltage	Weight	Electric shock protection	Ingress protection
1/40W/G16.5/IF candelabra	120V	3.5 Lbs	Cl. I	IP 23, Wet location

Recommended cleaning substances:

Wipe off dust with a dry, soft cloth. Remove greasy spots etc. with a soft cloth dampened in lukewarm water (<122° F/ 50° C) with a mild detergent.

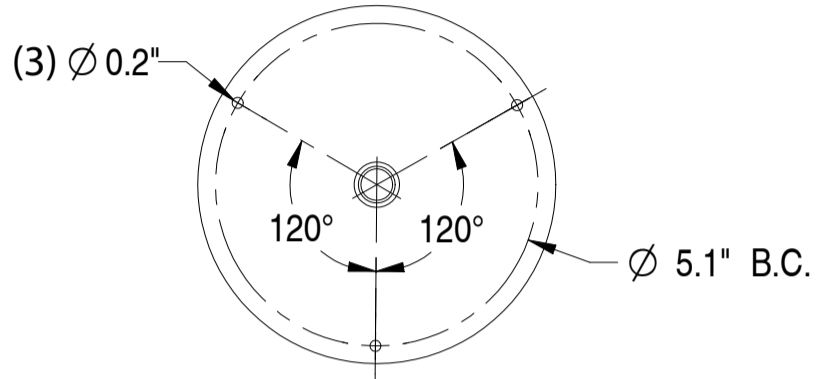
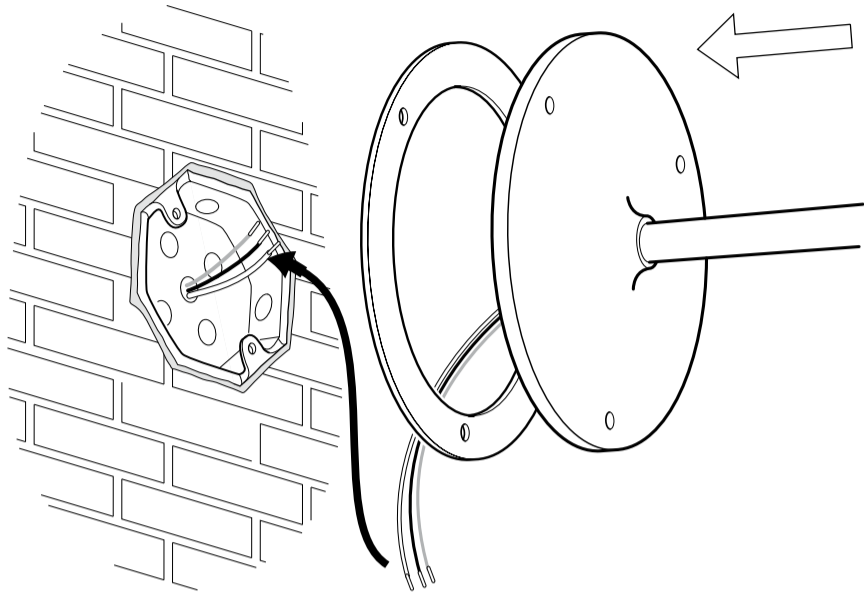
Warning: Scouring powder and similar substances will scratch surfaces.

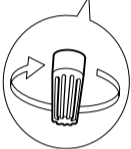
All installation is subject to local code and jurisdiction. Consult a qualified electrician to ensure correct branch circuit conductor.




5

For installation
Over a 4" junction box

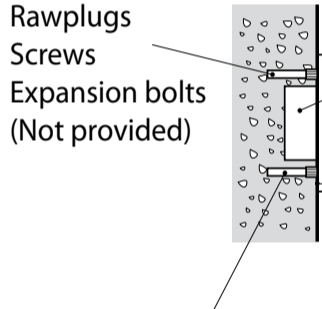


- x 3 
- Green to Green
 - White to White
 - Black to Black



Lamp Replacement Labels

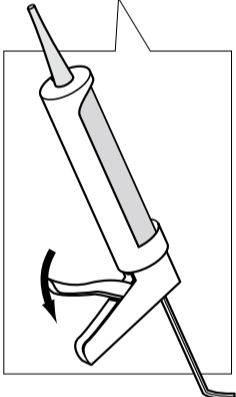
The Installer must ensure that the lamp Replacement Label on the luminaire represents the appropriate light source and control gear.



Rawplugs
Screws
Expansion bolts
(Not provided)

4" Octagonal junction box

The installer must seal the back of the wall flange to the wall with a bead of silicone



The installer must ensure to use proper means (rawplugs/screws/expansion bolts) to secure the fixture to the wall material. (Means not provided)
The installer must if necessary reinforce the wall structure by adequate means



3

