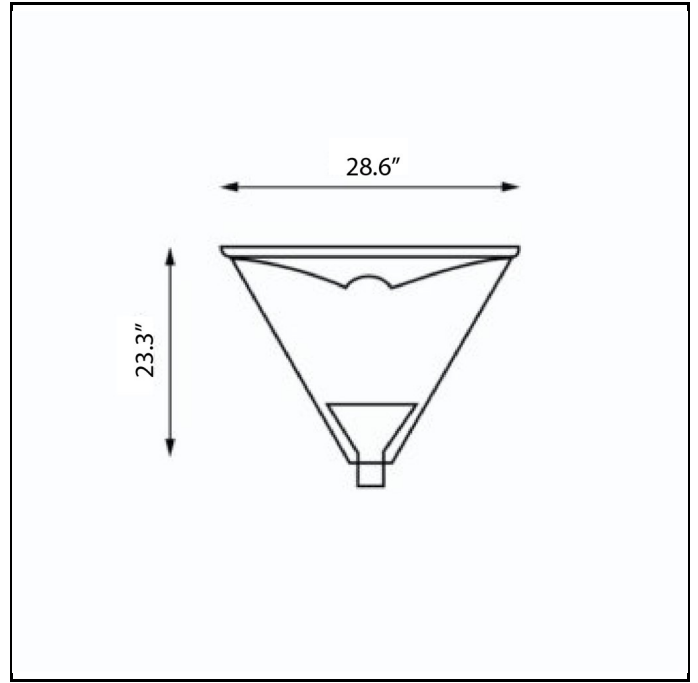


# Terminal

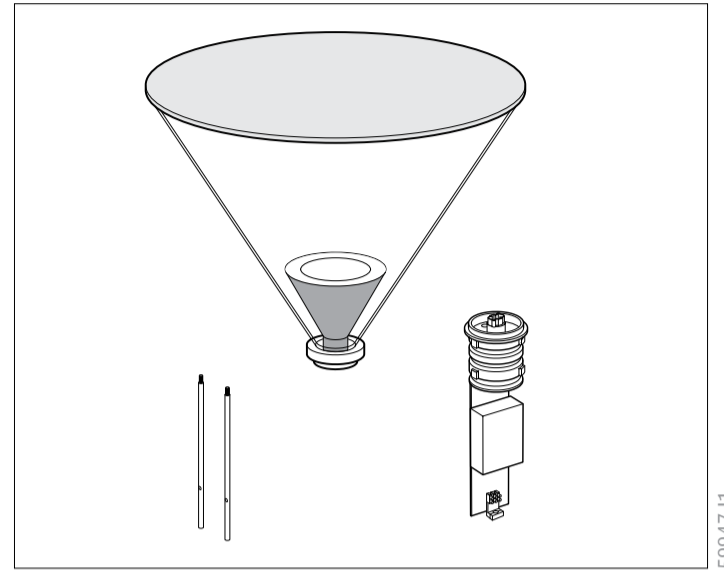
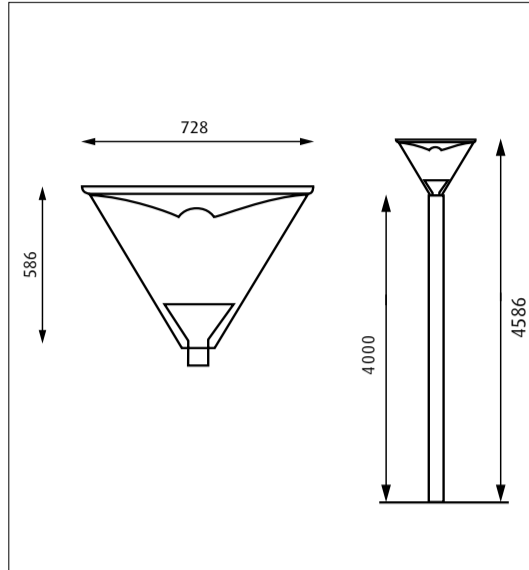


- Design** Jens Ammundsen, Vilhelm Lauritzen A/S & Jens Gudum, Jens Gudum ApS
- Concept** The fixture provides an indirect and soft illumination. The choice and placement of a point light source ensures that the narrow beam illumination is been redirected by the small reflector optic in the center of the top shade. This has been carefully designed in three variants to provide either symmetric, oval or forward throw distribution.
- Finish** Graphite grey or natural painted aluminum, powder coated.
- Material** Lower reflector: Spun aluminum. Top shade: spun aluminum. Enclosure: Vacuum formed clear polycarbonate. Reflector: Aluminum. Base: Die cast aluminum.
- Mounting** Post top: Mounted on round straight aluminum (RSA) pole.
- Weight** Max. 22.1 lbs.
- Label** cULus, Wet location. IBEW.

Product Code	Light source	Voltage	Finish	Electric shock protect.	Distribution/Trim	Transition to pole	Features
TER	1/150W/CMH/T-6 G12	120-277V	GRAPH NAT PAINT ALU	NOT APPLICABLE SURGE PROTECTOR	T2 T3 T5	T-RSA-4.5"	DIM 0-10V NOT APPLICABLE

# Terminal Post

Design Jens Ammundsen, Vilhelm Lauritzen A/S & Jens Gudum, Jens Gudum ApS



59947-11

Light source	Voltage	Weight	Electric shock protection	Ingress protection
<b>1/150W/CMH/T6-G12</b>	<b>Max 120/277V</b>	<b>22.1 Lbs wet locations</b>	<b>Cl. I, suitable for Grounded</b>	<b>IP 20</b>

Recommended cleaning substances:

Wipe off dust with a dry, soft cloth. Remove greasy spots etc. with a soft cloth dampened in lukewarm water (<122° F/ 50° C) with a mild detergent.

Warning: Scouring powder and similar substances will scratch surfaces.

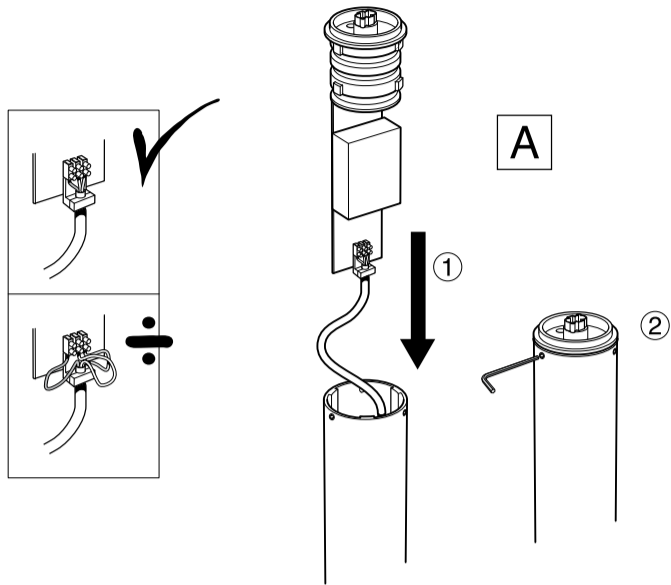
All installation is subject to local code and jurisdiction.

Consult a qualified electrician to ensure correct branch circuit conductor. The installer must ensure that the foundation is stable and can support the luminaire's weight.

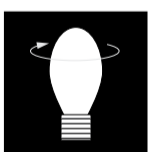
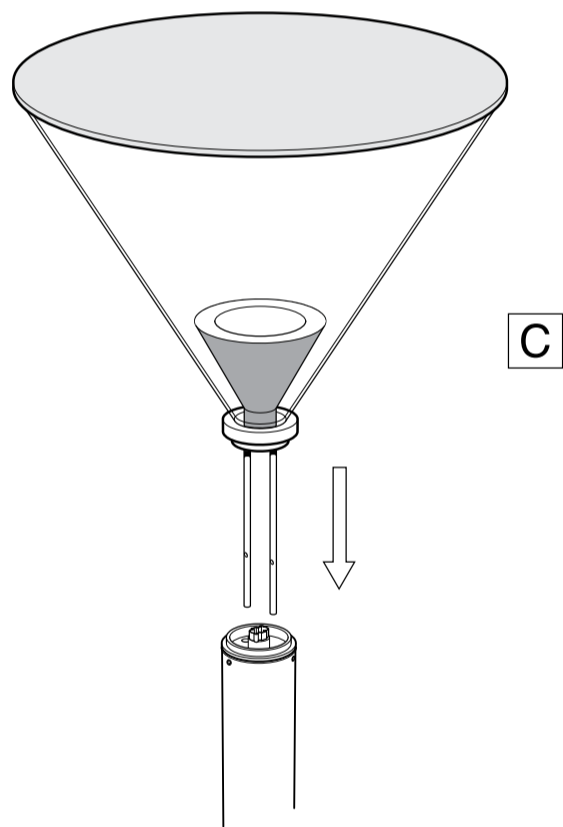
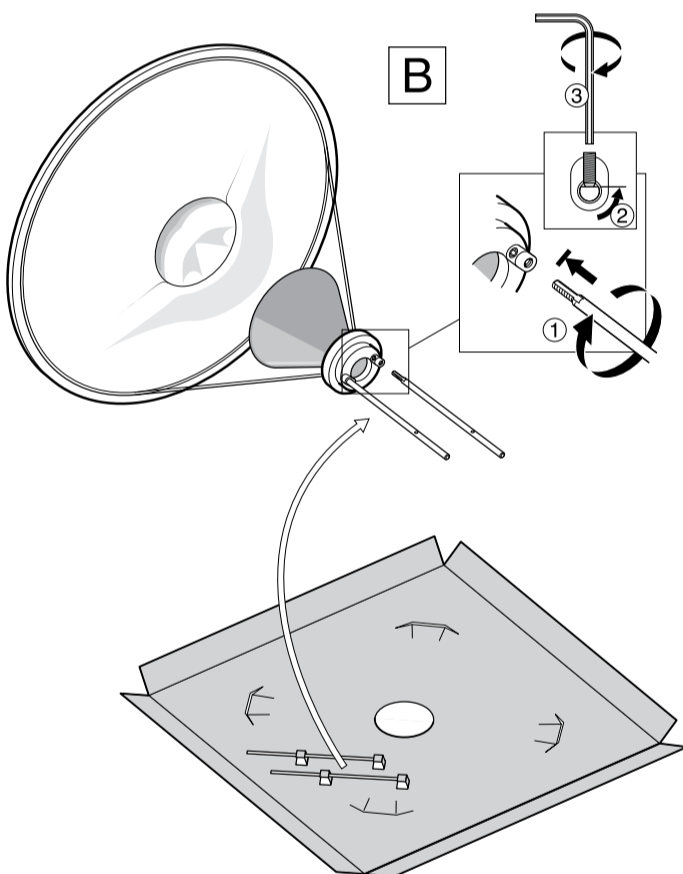
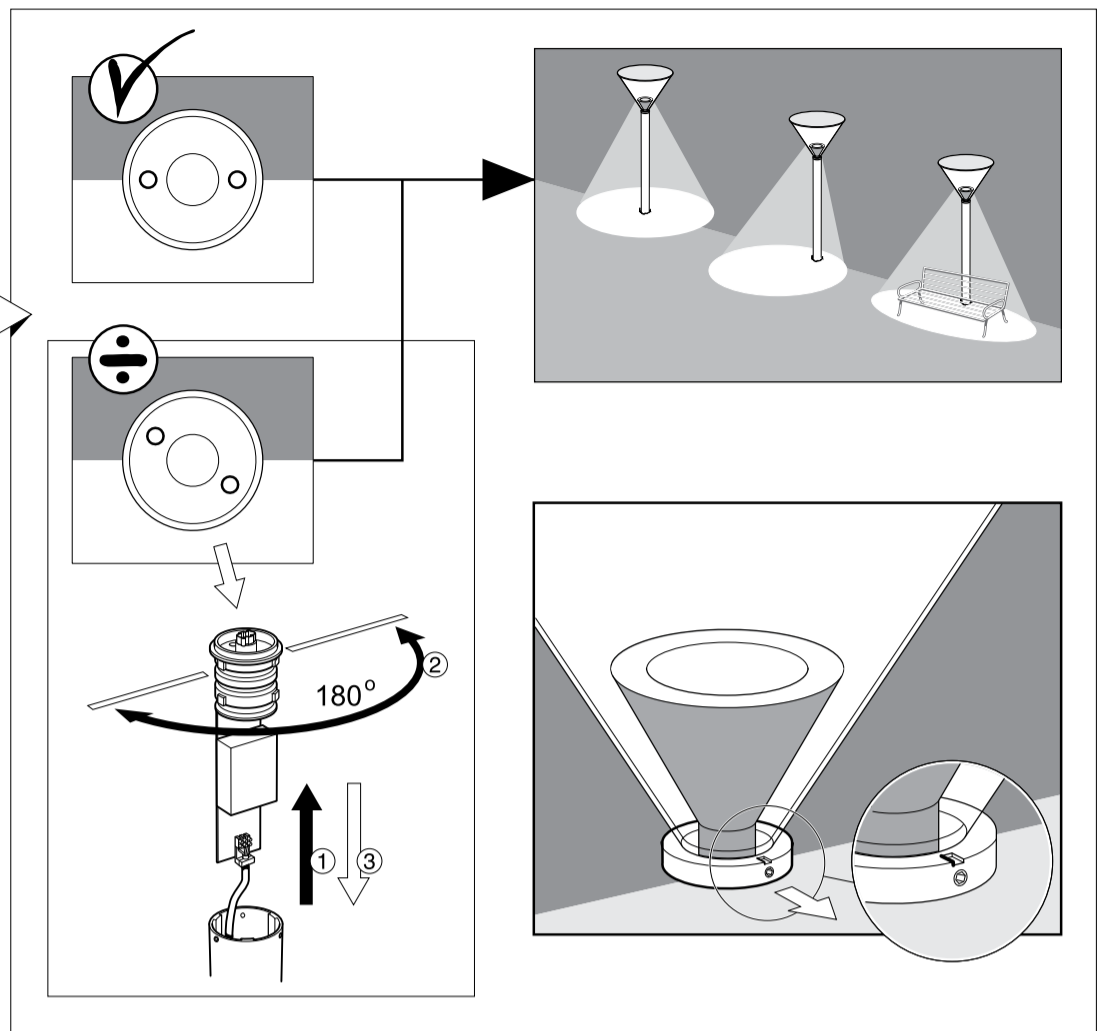
The installer must use proper means to secure the luminaire to the ground.



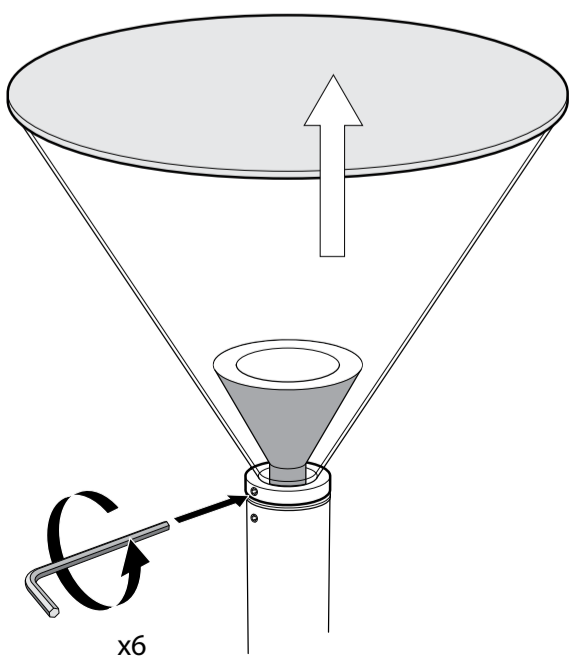
2mm  
4mm



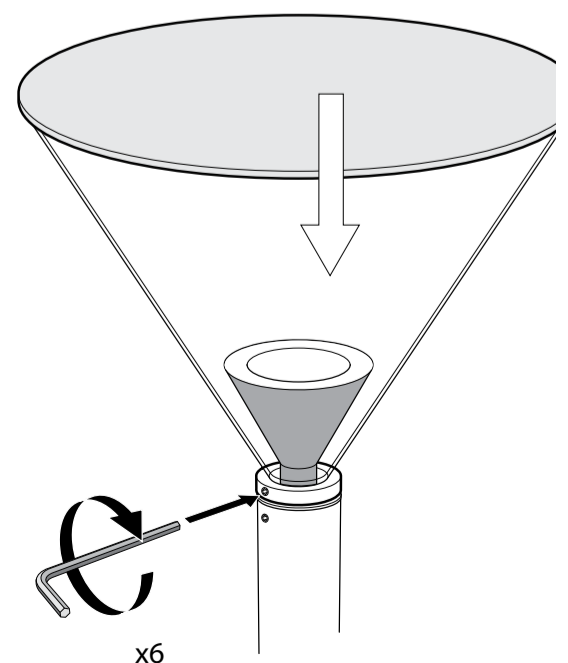
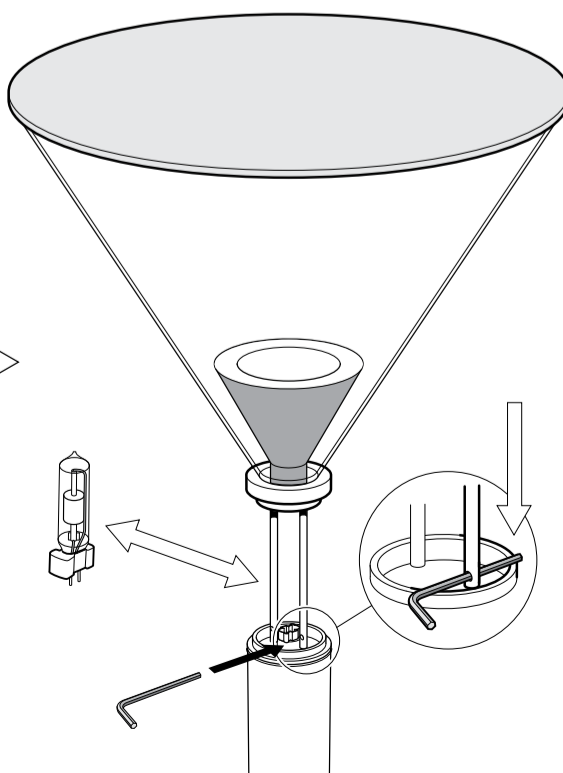
Removed and discard set screws included in pole (3/8 inch)  
Replace with 1/2 inch set screws included with fixture.



4mm



x6



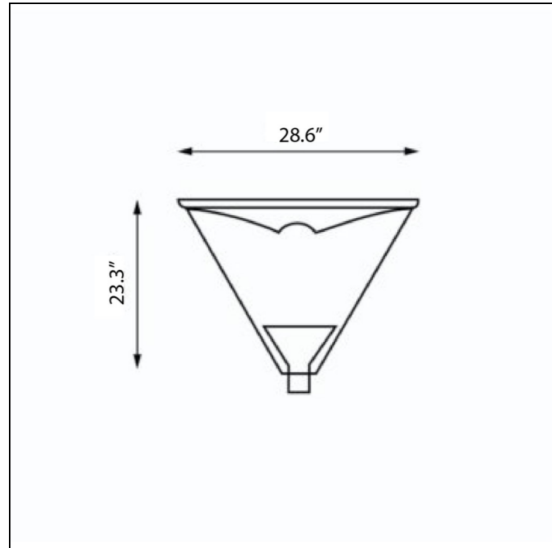
x6

# Terminal

TER-CMH

PRODUCT SPECIFICATION

## Product description



**Design** Jens Ammundsen, Vilhelm Lauritzen A/S & Jens Gudum, Jens Gudum ApS

**Concept** The fixture provides an indirect and soft illumination. The choice and placement of a point light source ensures that the narrow beam illumination is been redirected by the small reflector optic in the center of the top shade. This has been carefully designed in three variants to provide either symmetric, oval or forward throw distribution.

**Finish** Graphite grey or natural painted aluminum, powder coated.

**Material** Lower reflector: Spun aluminum. Top shade: spun aluminum. Enclosure: Vacuum formed clear polycarbonate. Reflector: Aluminum. Base: Die cast aluminum.

**Mounting** Post top: Mounted on round straight aluminum (RSA) pole.

**Weight** Max. 22.1 lbs.

**Label** cULus, Wet location. IBEW.

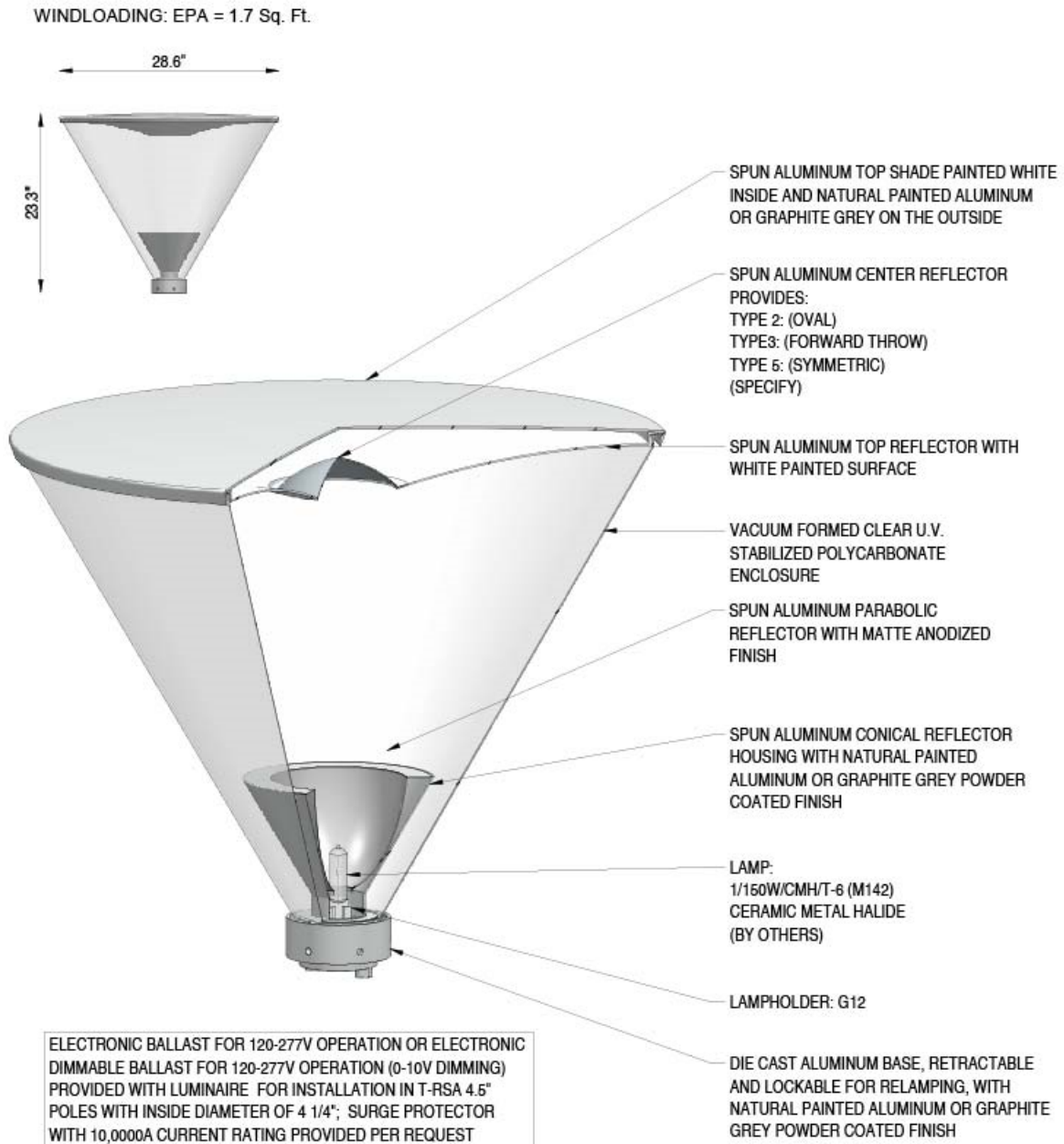
Product Code	Light source	Voltage	Finish	Electric shock protect.	Distribution/Trim	Transition to pole	Features
TER	1/150W/CMH/T-6 G12	120-277V	GRAPH NAT PAINT ALU	NOT APPLICABLE SURGE PROTECTOR	T2 T3 T5	T-RSA-4.5"	DIM 0-10V NOT APPLICABLE

# Terminal

TER-CMH

PRODUCT SPECIFICATION

## Material description



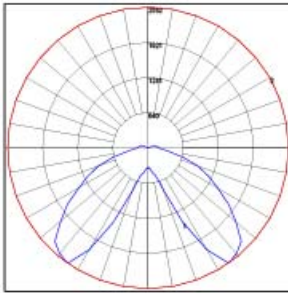
# Terminal

TER-CMH

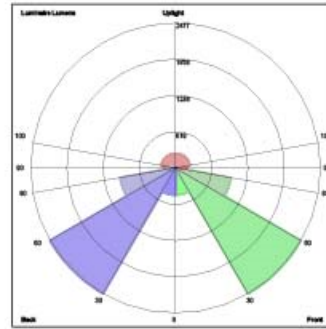
PRODUCT SPECIFICATION

## Light Measurements

Photometric Report: TER-1-150W -CMH-Type 5  
 Report No: 6047900635 Louis Poulsen Lighting A/S  
 Poulsen Report No: TER-1-150W -CMH-Type 5  
 Luminaire: TERMINAL  
 Lamp: 1/150W/CMH/T-6 G12  
 Efficiency: 61%  
 Description: All data shown are per 14000 lumens. This report can be used for calculation on all versions listed below. Use only actual lumen data calculating.



Candlepower Distribution	
Vertical Angle	Candela
0	354.3
5	383.9
15	515.8
25	1482.4
35	2561.5
45	2402.6
55	1798.4
65	1213.1
75	670.1
90	176.9
120	14.7
150	1.3
180	0.7



### Zonal Lumen Summary

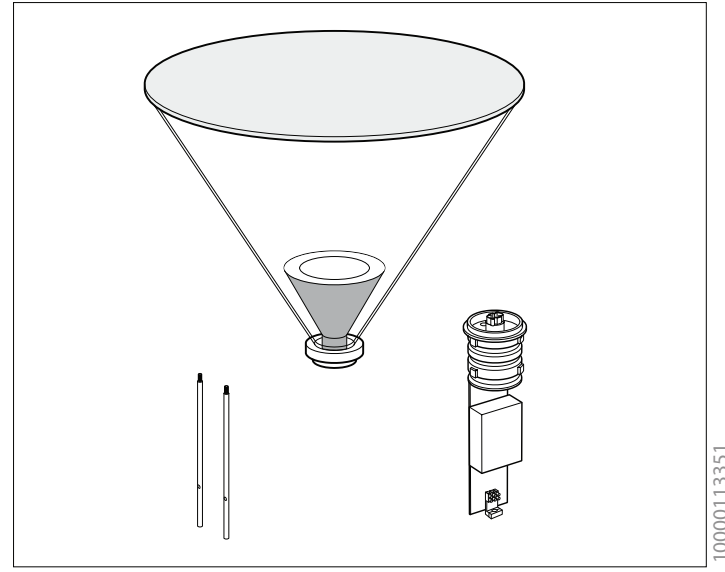
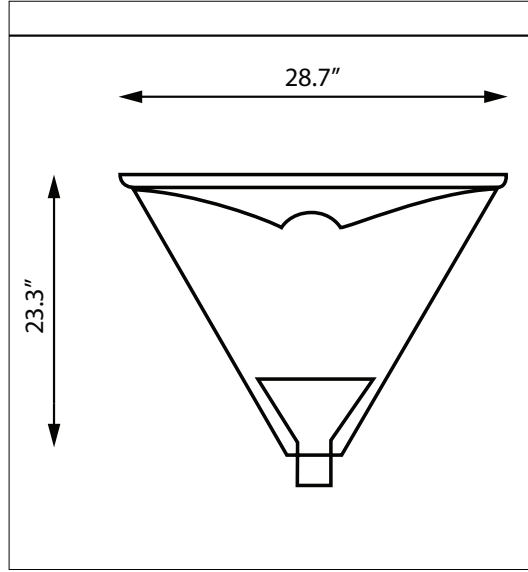
Zone	Lumens	% Lamp	% Fixture
0-20	207.08	1.50	2.40
0-30	910.24	6.50	10.70
0-40	2448.99	17.50	28.80
0-60	5864.04	41.90	68.90
0-80	7790.44	55.60	91.40
0-90	8085.05	57.80	94.90
10-90	8046.15	57.50	94.50
20-40	2241.91	16.00	26.30
20-50	4058.35	29.00	47.70
40-70	4617.23	33.00	54.20
60-80	1916.4	13.70	22.50
70-80	714.22	5.10	8.40
80-90	304.61	2.20	3.60
90-110	352.67	2.50	4.10
90-120	398.67	2.80	4.70
90-130	411.17	2.90	4.80
90-150	430.91	3.10	5.10
90-180	431.73	3.10	5.10
110-180	79.06	0.60	0.90
0-180	8516.79	60.80	100.00

### LUMINAIRE CLASSIFICATION SYSTEM (LCS)

	Lumens	% Lamp	% Luminaire
FL - Front-Low (0-30)	455.1	3.3	5.3
FM - Front-Medium (30-80)	2476.9	17.7	29.1
FH - Front-High (80-90)	958.2	6.8	11.3
FVH - Front-Very High (80-90)	152.3	1.1	1.8
BL - Back-Low (0-30)	455.1	3.3	5.3
BM - Back-Medium (30-80)	2476.9	17.7	29.1
BH - Back-High (80-90)	958.2	6.8	11.3
BVH - Back-Very High (80-90)	152.3	1.1	1.8
UL - Uplight-Low (90-100)	191.5	1.4	2.2
UH - Uplight-High (100-180)	240.2	1.7	2.8
<b>Total</b>	<b>8516.7</b>	<b>60.9</b>	<b>100.0</b>
<b>BUG Rating</b>	<b>B2-U3-G2</b>		

# Terminal Post

Design Jens Ammundsen, Vilhelm Lauritzen A/S & Jens Gudum, Jens Gudum ApS



Light source	Voltage	Weight	Electric shock protection	Ingress protection
1/150W/CMH/T6-G12	120-277V	22.1Lbs	Cl. I	IP 66

Recommended cleaning substances:

Wipe off dust with a dry, soft cloth. Remove greasy spots etc. with a soft cloth dampened in lukewarm water (<122° F/ 50° C) with a mild detergent.

Warning: Scouring powder and similar substances will scratch surfaces.

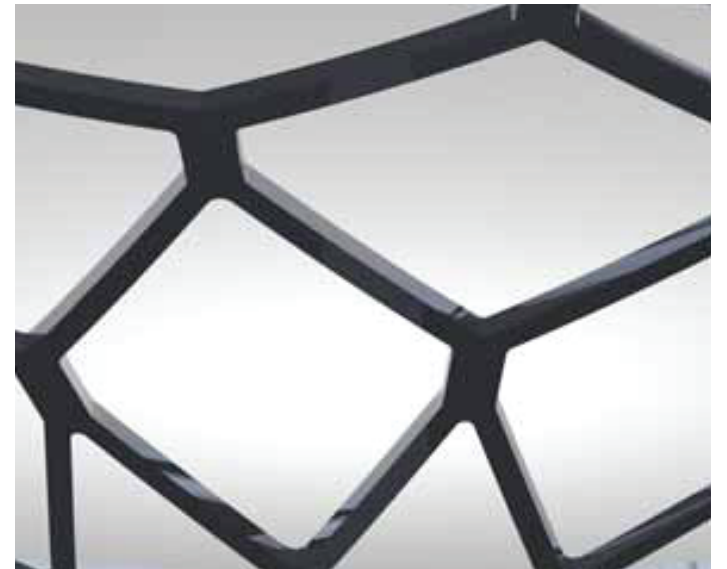
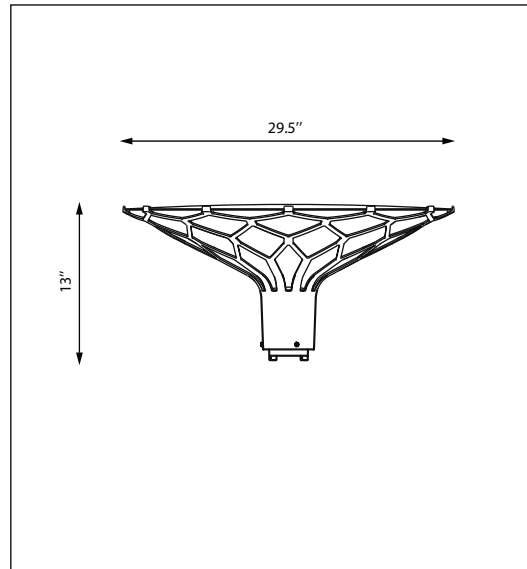
All installation is subject to local code and jurisdiction.

Consult a qualified electrician to ensure correct branch circuit conductor. The installer must ensure that the foundation is stable and can support the luminaire's weight.

The Installer must use proper means to secure the luminaire to the ground.

# LP Nest

Design Bystrup Arkitekter



Light source	Voltage/frequency	Weight	Electric shock protection	Ingress protection
1x70W/CMH/T6-G12 1x150W/CMH/T6-G12	120-277V	13.2 lbs	Cl. I	IP 66

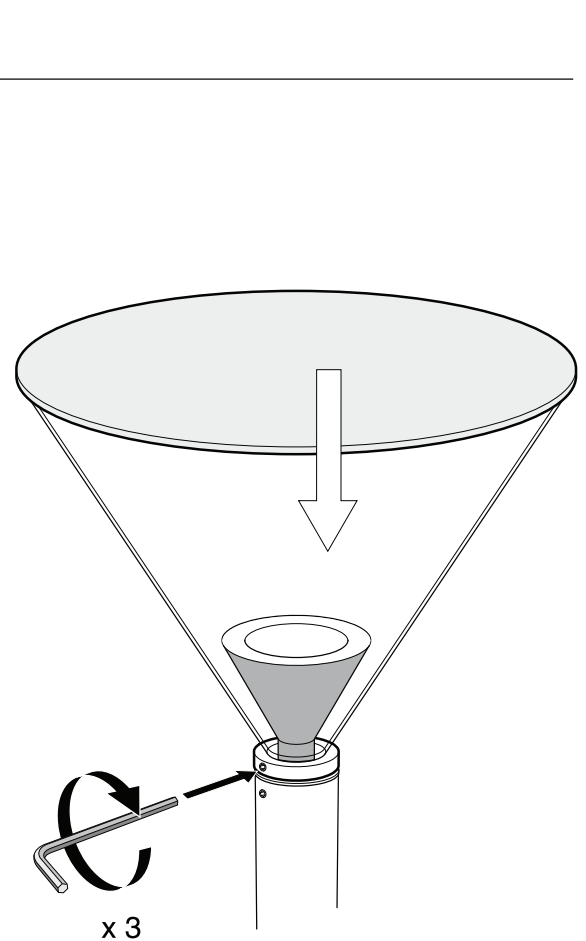
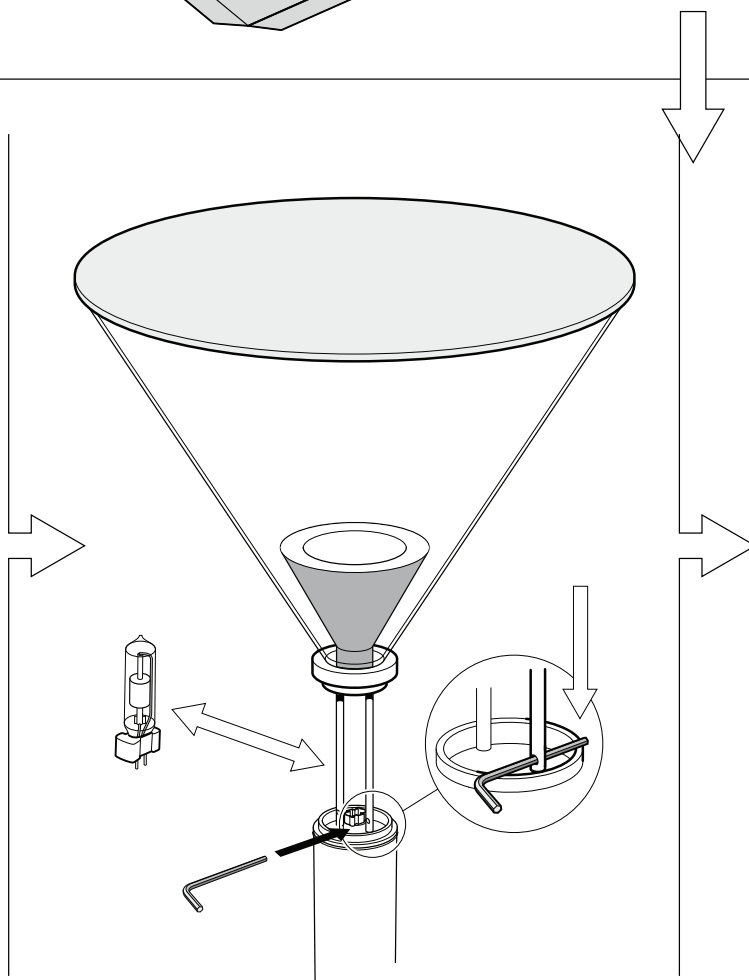
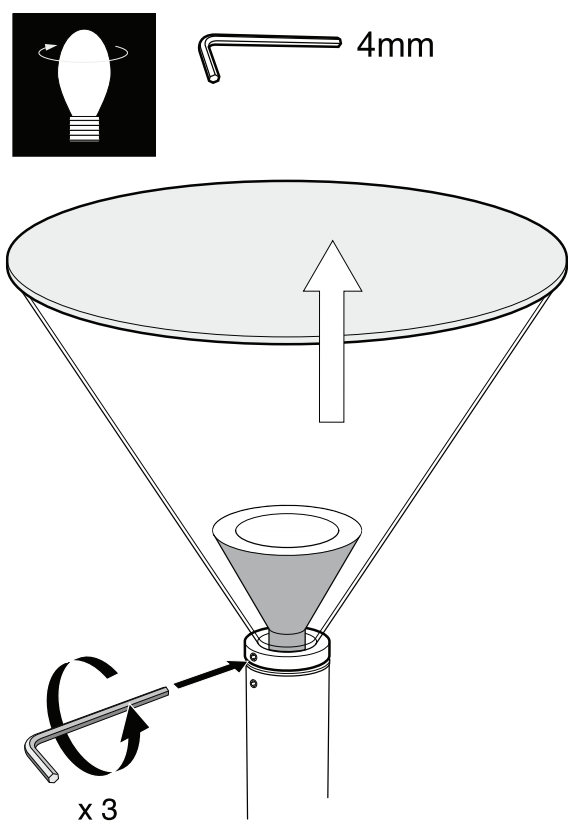
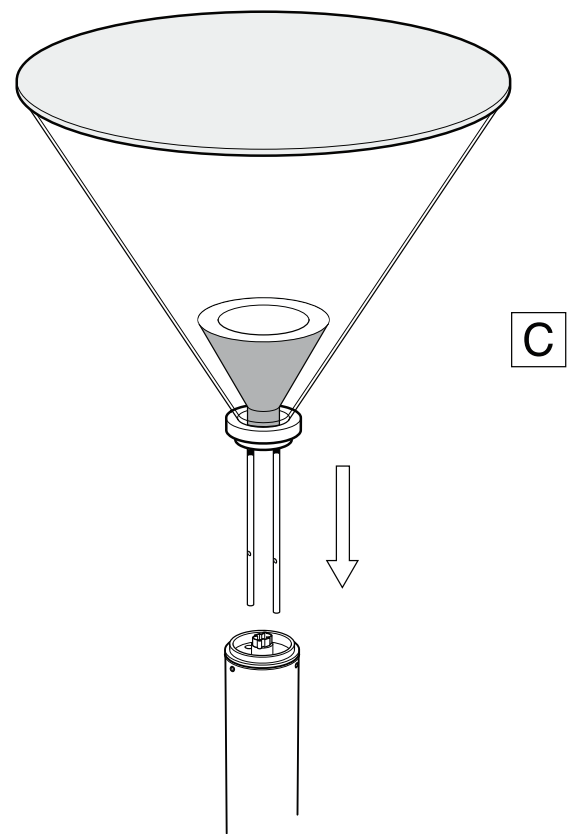
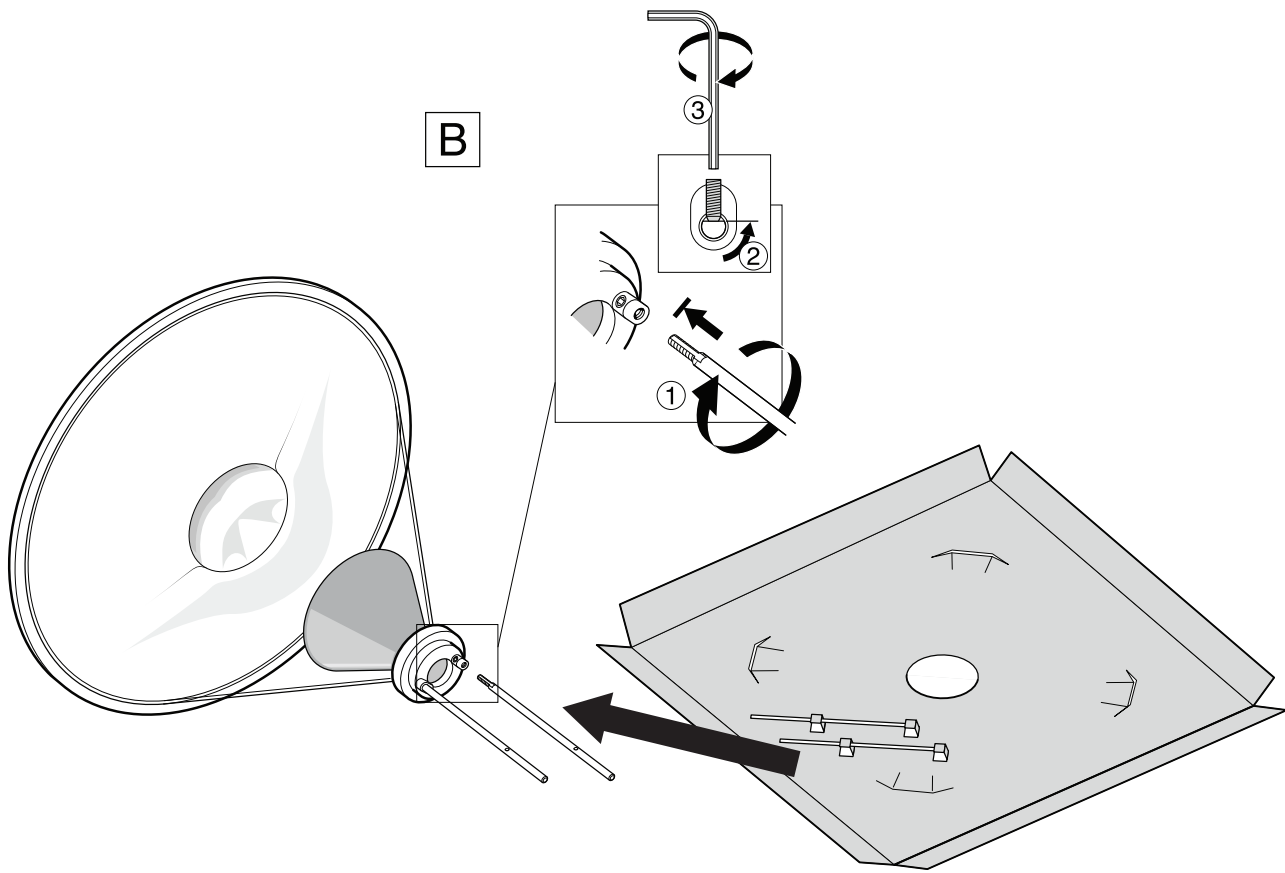
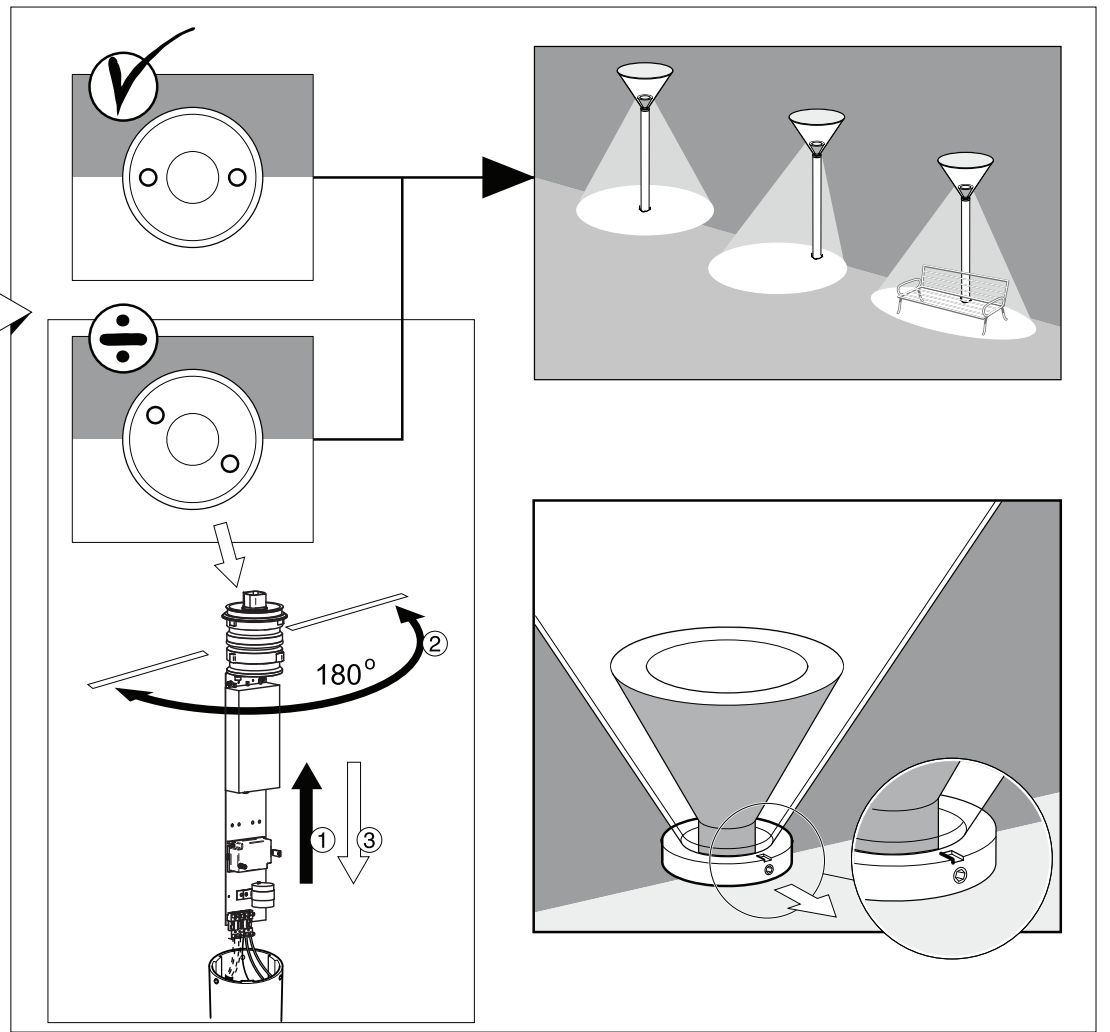
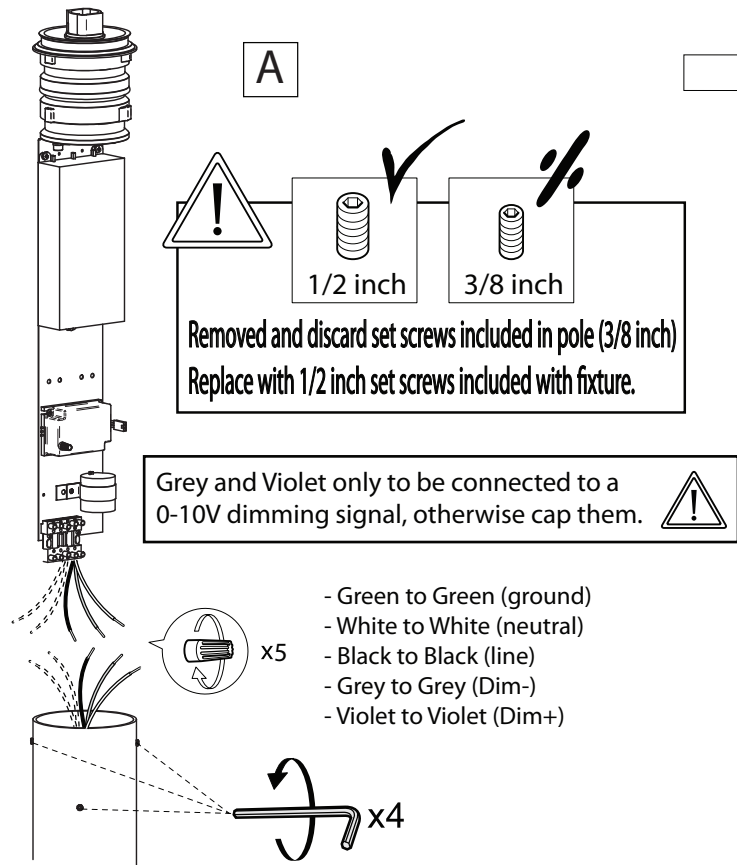
Recommended cleaning substances:

Wipe off dust with a dry, soft cloth. Remove greasy spots etc. with a soft cloth dampened in lukewarm water (<122° F/ 50° C) with a mild detergent.

Warning: Scouring powder and similar substances will scratch surfaces.

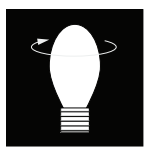
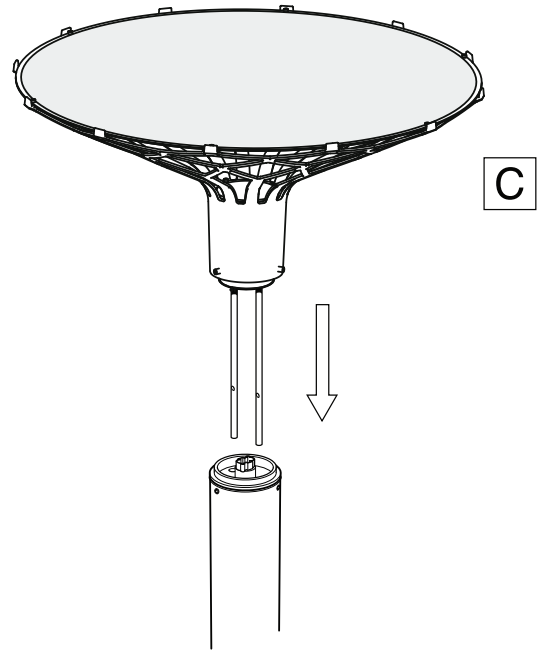
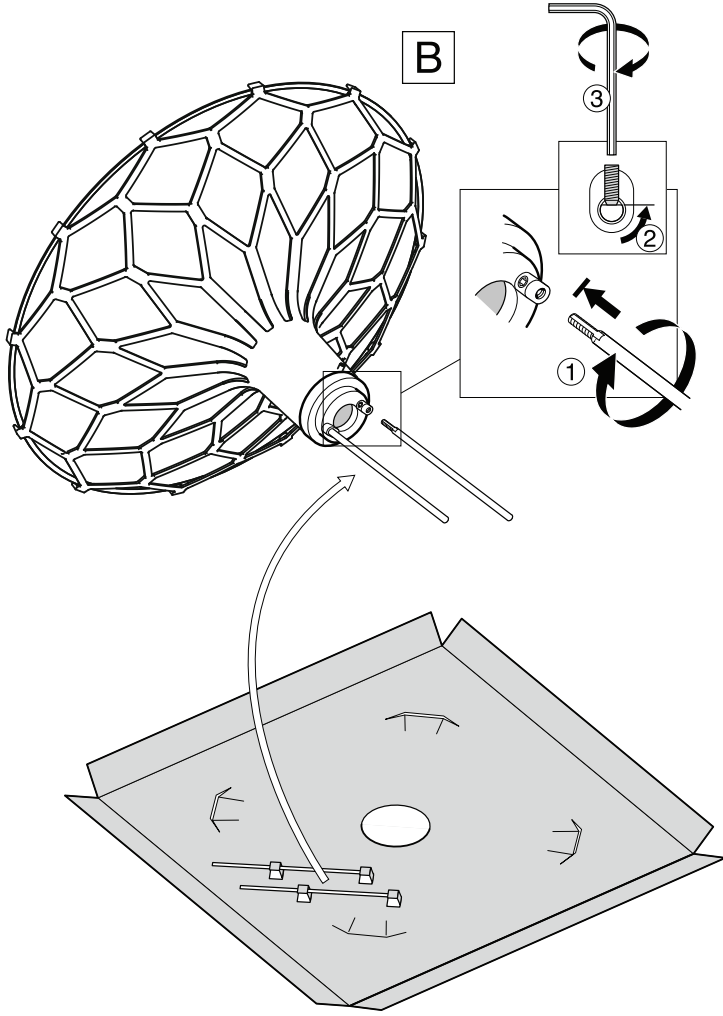
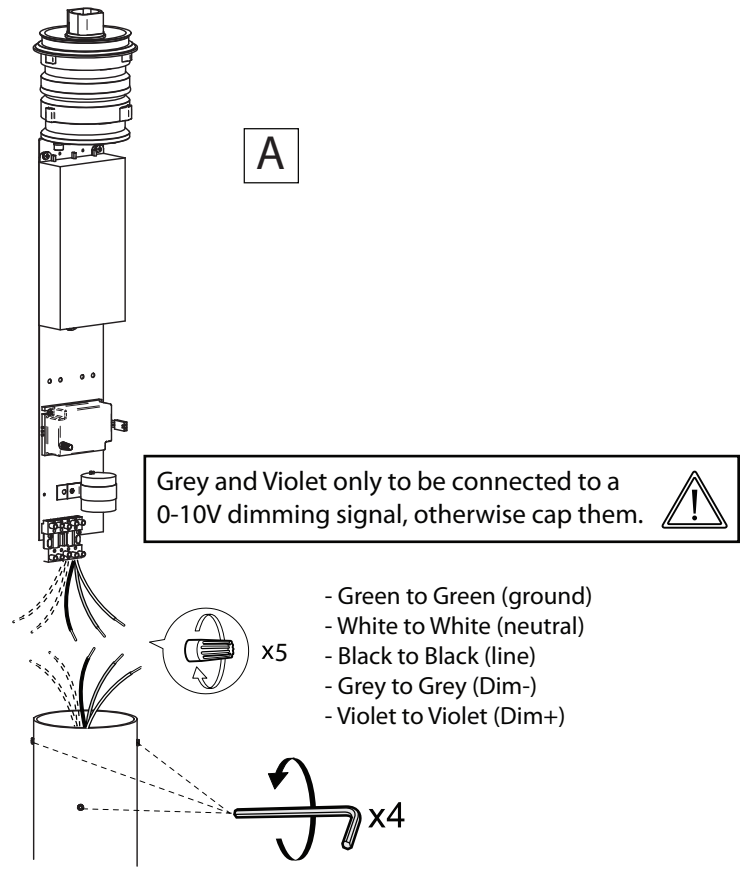
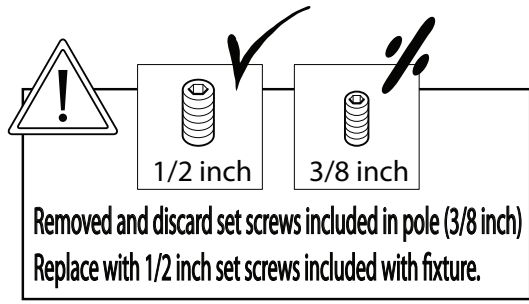
All installation is subject to local code and jurisdiction. Consult a qualified electrician to ensure correct branch circuit conductor. The installer must ensure that the ceiling can support the luminaire's weight. The installer must if necessary reinforce the ceiling structure by adequate means.

# Terminal Post





# LP Nest



4mm

